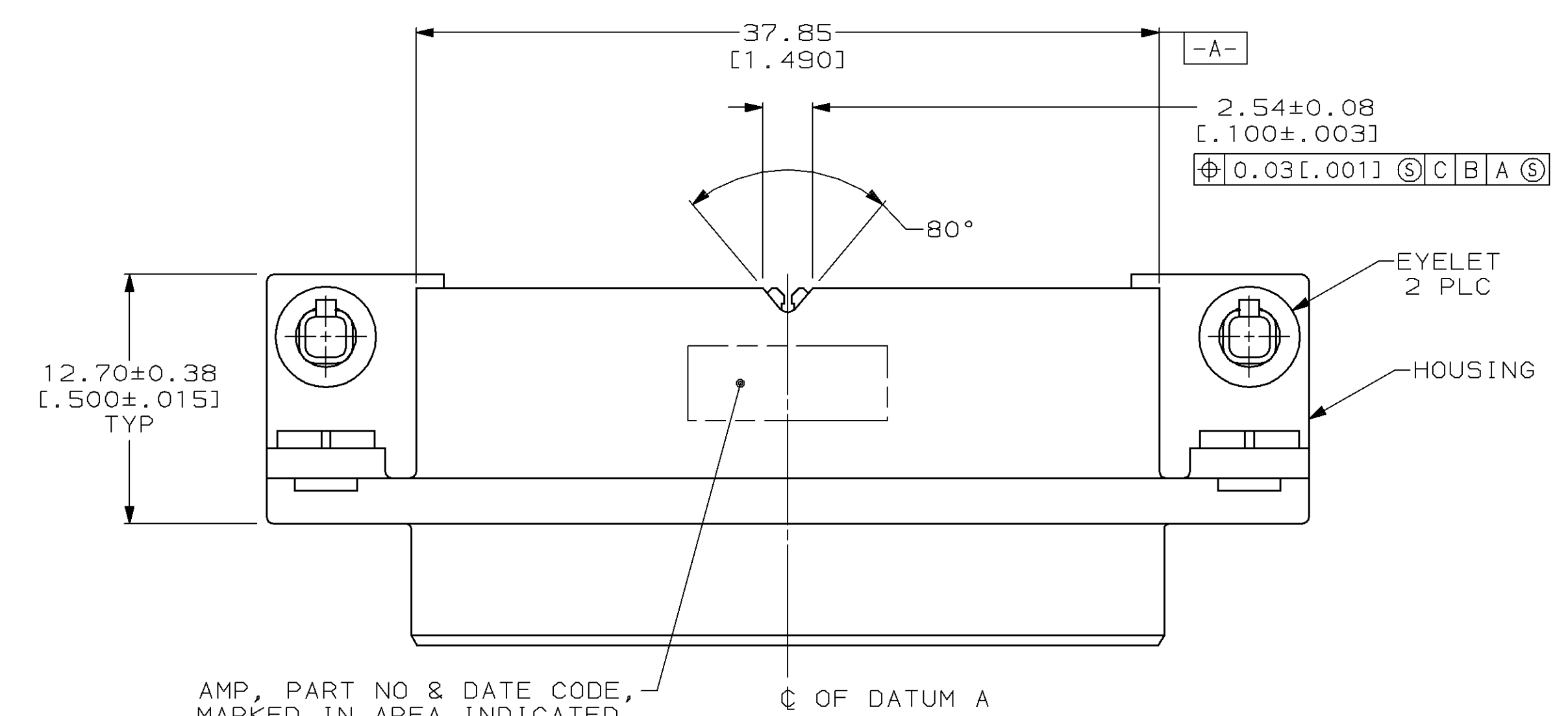
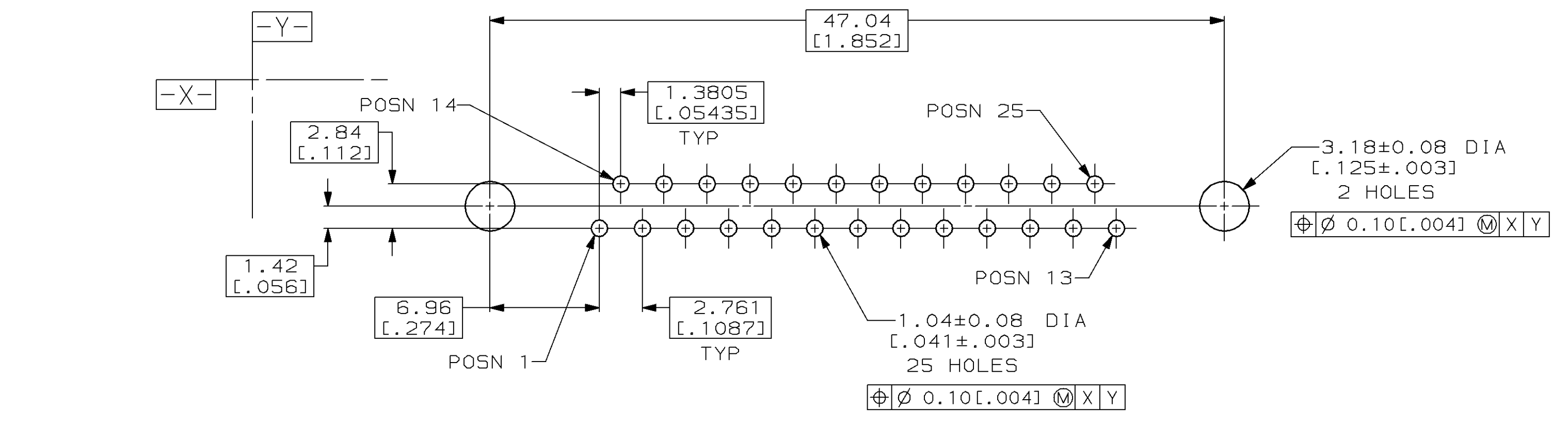
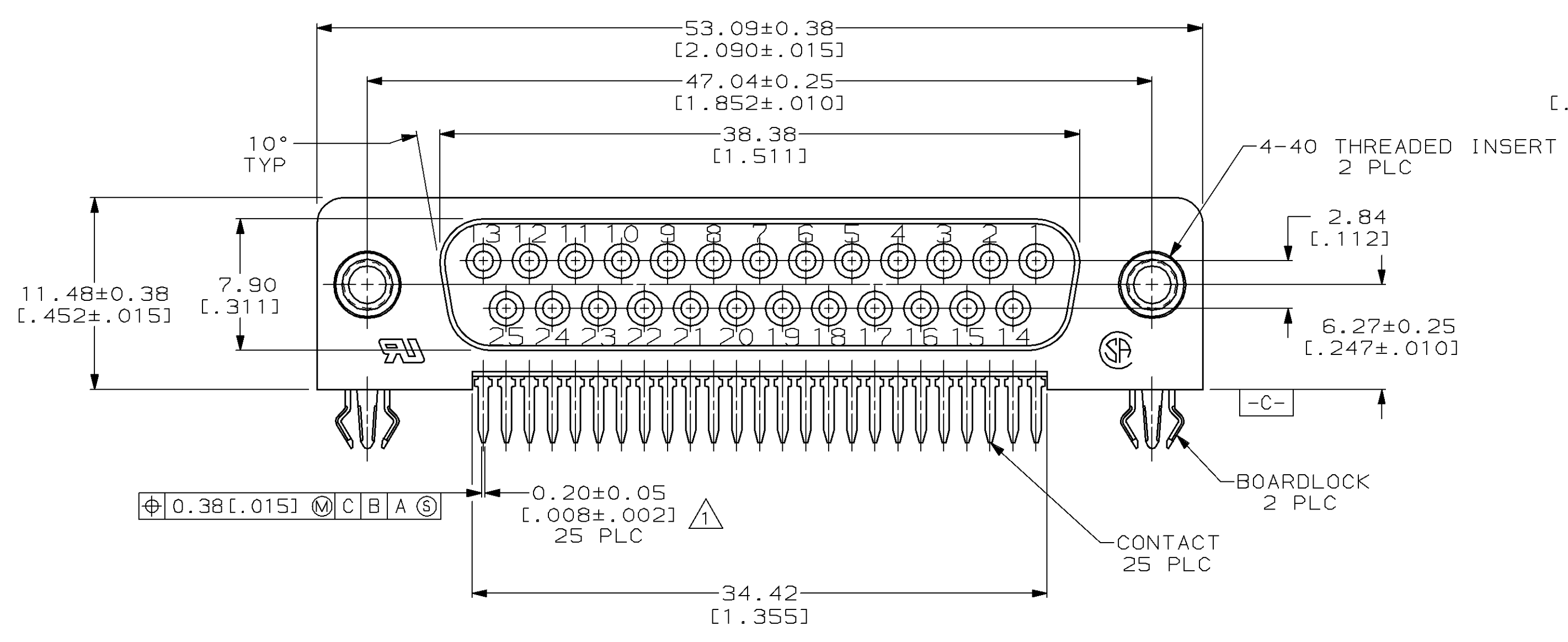


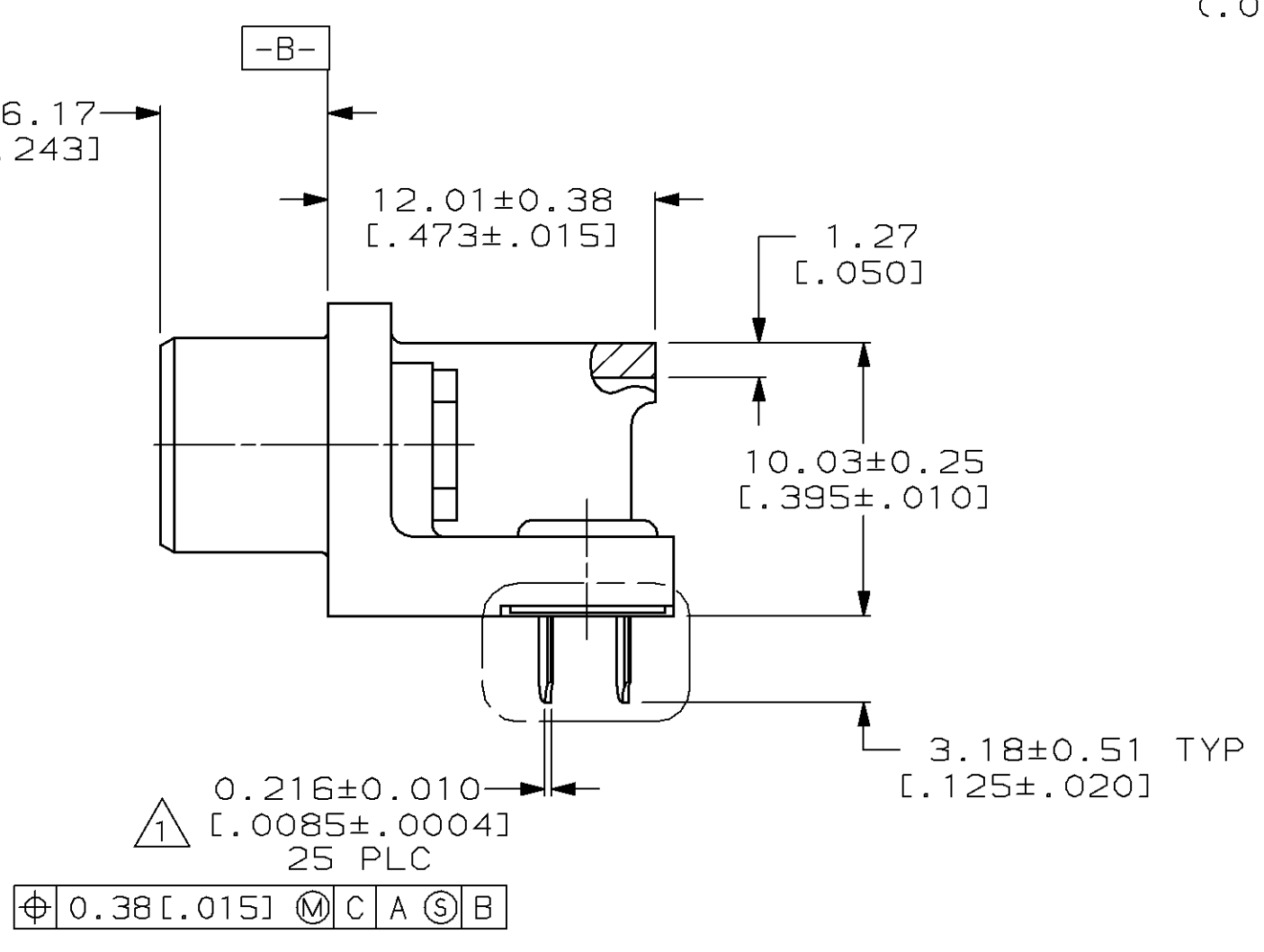
LOC		DIST		P		ZONE		LTR		REVISIONS		
BD	77									DESCRIPTION	DATE	APPD
									C	REV PER ECN BD4960	6-20-91	CR
									D	OBSOLETE -2, SUPERSEDED -1 & -3 PER ECN BD6411	3/31/93	CR
									E	REACTIVATED -1 PER EC 0020-117-94	02/22/94	SWB
									F	REV PER EC 0020-1053-95	05 JAN 96	RLT



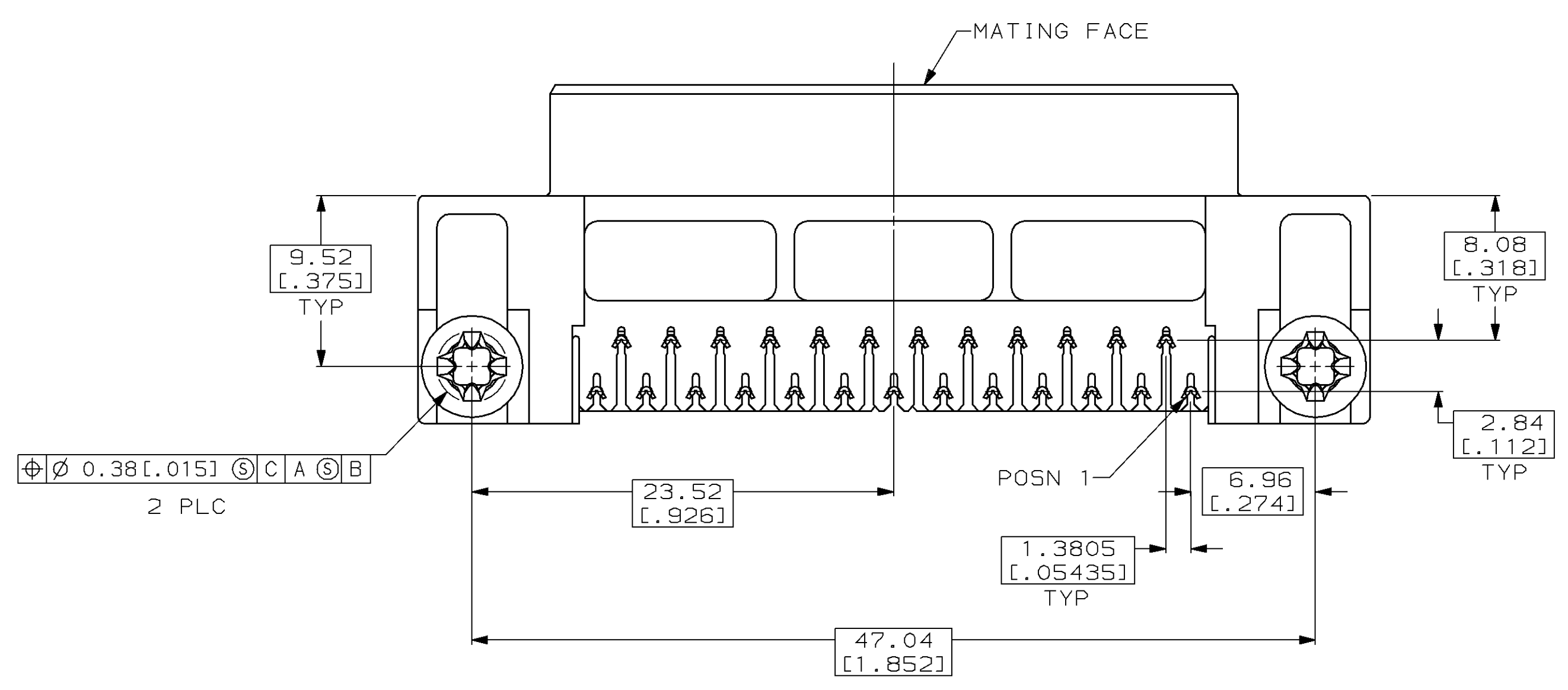
AMP, PART NO & DATE CODE,
 MARKED IN AREA INDICATED



PC BOARD MOUNTING DIMENSIONS
 (.062 PC BOARD THICKNESS)



- ① POSITION TOLERANCE APPLIES AT TIP ONLY.
- ② NYLON OR POLYESTER, UL94V-0, BLACK.
- ③ PHOSPHOR BRONZE PER QQ-B-750.
- ④ EYELETS: BRASS; INSERTS: ZINC; BOARDLOCKS: COPPER ALLOY.
- ⑤ GOLD PLATING PER MIL-G-45204, NICKEL PLATING PER QQ-N-290, TIN PLATING PER MIL-T-10727.
- ⑥ EYELETS: 5.08 μm [0.000200] MIN TIN OVER COPPER FLASH; BOARDLOCKS: 5.08 μm [0.000200] MIN TIN-LEAD OVER 1.27 μm [0.000050] MIN NICKEL.
- ⑦ 0.76 μm [0.000030] MIN GOLD FOR A LENGTH OF 1.52 [0.060] MIN FROM MATING END, 3.05 μm [0.000120] MIN TIN-LEAD FOR A LENGTH OF 3.68 [0.145] MIN FROM OPPOSITE END, BOTH OVER 1.27 μm [0.000050] MIN NICKEL.
- ⑧ GOLD FLASH FOR A LENGTH OF 1.52 [0.060] MIN FROM MATING END, 3.05 μm [0.000120] MIN TIN-LEAD FOR A LENGTH OF 3.68 [0.145] MIN FROM OPPOSITE END, BOTH OVER 1.27 μm [0.000050] MIN NICKEL.
- ⑨ 0.25 μm [0.000010] MIN GOLD FOR A LENGTH OF 1.52 [0.060] MIN FROM MATING END, 3.05 μm [0.000120] MIN TIN-LEAD FOR A LENGTH OF 3.68 [0.145] MIN FROM OPPOSITE END, BOTH OVER 1.27 μm [0.000050] MIN NICKEL.



SUPERSEDED BY 748877-3	⑨	748901-3
OBSOLETE	⑧	748901-2
	⑦	748901-1
CONTACT FINISH		PART NO

DO NOT SCALE PRINT. UNLESS SPECIFIED DIMENSIONS IN mm [INCHES]		DR 08/03/89 S. WELDON		AMP INCORPORATED Harrisburg, Pa. 17105	
TOLERANCES ON: 2 PLC DEC ± 0.13 [0.005] 3 PLC DEC ± - ANGLES ± 2°		CHK 8/29/89 R. STONE			
MATERIAL HOUSING: ② CONTACTS: ③ HARDWARE: ④		APPD 9/13/89 W. SWAIN		NAME	
FINISH ⑤ HARDWARE: ⑥		APPD 9/13/89 C. ROHDE		RECEPTACLE ASSEMBLY, SIZE 3, 25 POSN, ALL PLASTIC, RIGHT ANGLE .318 SERIES, AMPLIMITE® III	
CONTACTS: SEE TABLE		PRODUCT SPEC 108-1226		SIZE D	
INSERTS: CLEAR CHROMATE		APPLICATION SPEC 114-40027		CAGE CODE 00779	
		WEIGHT -		DRAWING NO 748901	
				SCALE 4:1	
				SHEET 1 OF 1	