

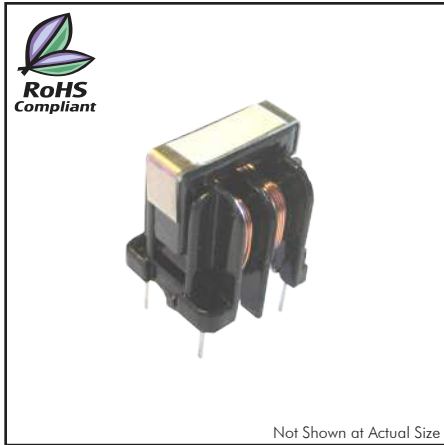
CTUF0917VF Series

From 0.2mH to 10mH

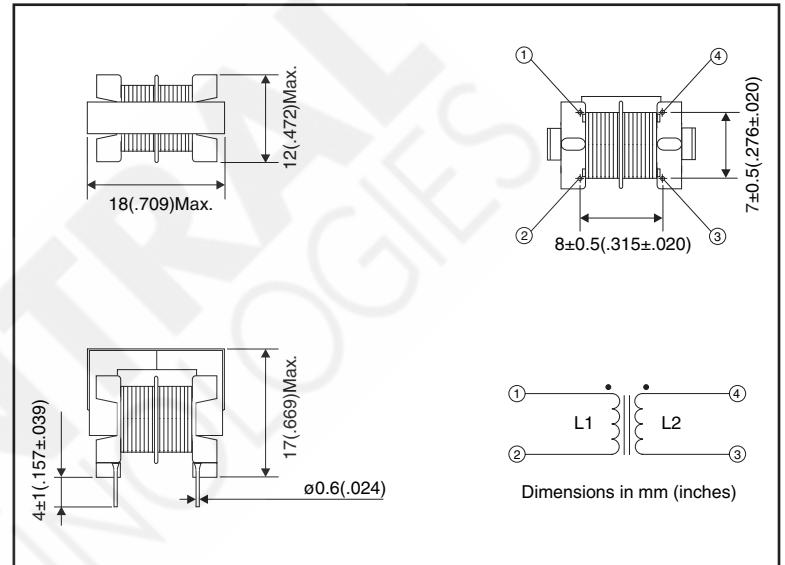
SPECIFICATIONS

*Indicates the inductance difference between the coil L1 and L2.

Part Number	Inductance (Min.) (mH)	Inductance Difference* (μH Max.)	DCR Max. (Ω)	Rated Current Max. (A)
CTUF0917VF-103MR25	10	200	3.5	0.25
CTUF0917VF-282M0R5	2.8	50	1.0	0.5
CTUF0917VF-132M0R7	1.3	50	0.5	0.7
CTUF0917VF-601M1R0	0.6	25	0.2	1.0
CTUF0917VF-201M1R6	0.2	25	0.1	1.6



PHYSICAL DIMENSIONS



CHARACTERISTICS

- Description:** Common mode choke coils
 - Applications:** For power supply line
 - Rated Voltage:** 250Vac
 - Operating Temperature:** -20°C to +105°C including self temperature rise
 - Temperature Rise:** 45°C maximum each line
 - Dielectric Withstanding Voltage:** 2000Vac minimum between each winding for 1 minute
 - Insulation Resistance:** 100MΩ minimum between each winding for 1 minute
 - Additional Information:** Additional electrical & physical information available upon request. Different inductance and current products are available as well
 - Miscellaneous:** RoHS Compliant.
- Samples available. See website for ordering information.