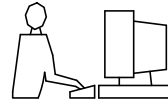
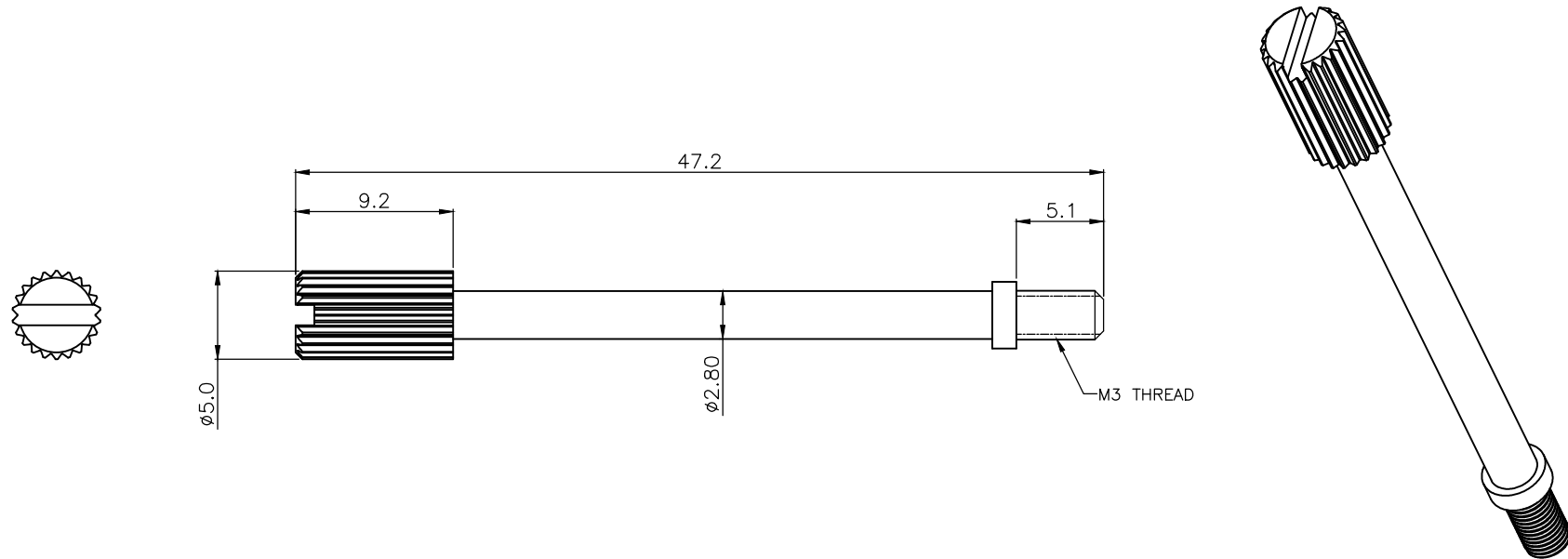


THIS IS A C.A.D. GENERATED DRAWING
DO NOT MAKE MANUAL REVISIONS TO MASTER.



* UNLESS OTHERWISE SPECIFIED TOLERANCES
ON DECIMAL IS: FRACTION ±

UNIT: MM .X ± 0.3
.XX ± 0.10



Order information

PN	Thread/length
T-JS-M3	M3/47mm

NOTES:

- 1.MATERIAL:STEEL, COMMERCIAL ZINC PLATING.
- 2.RoHS & REACH COMPLIANT.

THESE DRAWINGS AND SPECIFICATIONS ARE THE PROPERTY OF MH CONNECTORS LTD. AND SHALL NOT BE REPRODUCED, COPIED OR USED AS THE BASIS FOR THE MANUFACTURE OR SALE OF APPARATUS WITHOUT WRITTEN PERMISSION.

DRAWN	DATE
HALEY	02-27-14

APPROVED	DATE
----------	------

SCALE	SHEET OF	REV:
	1 OF 1	1.0

DRAWING No
T-JS-M3



THIS SERIES FULLY CONFORMS TO THE EUROPEAN UNION DIRECTIVES 2002/95/EC AND 2002/96/EC FOR RoHS COMPLIANCY.



MH CONNECTORS LTD.