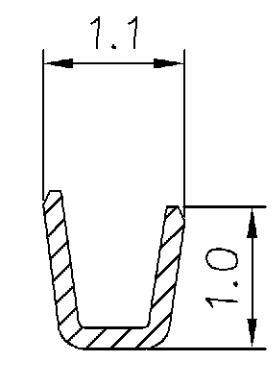
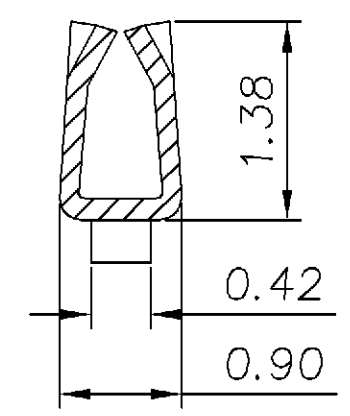


SEC A-A



SEC B-B



SEC C-C

NOTE:

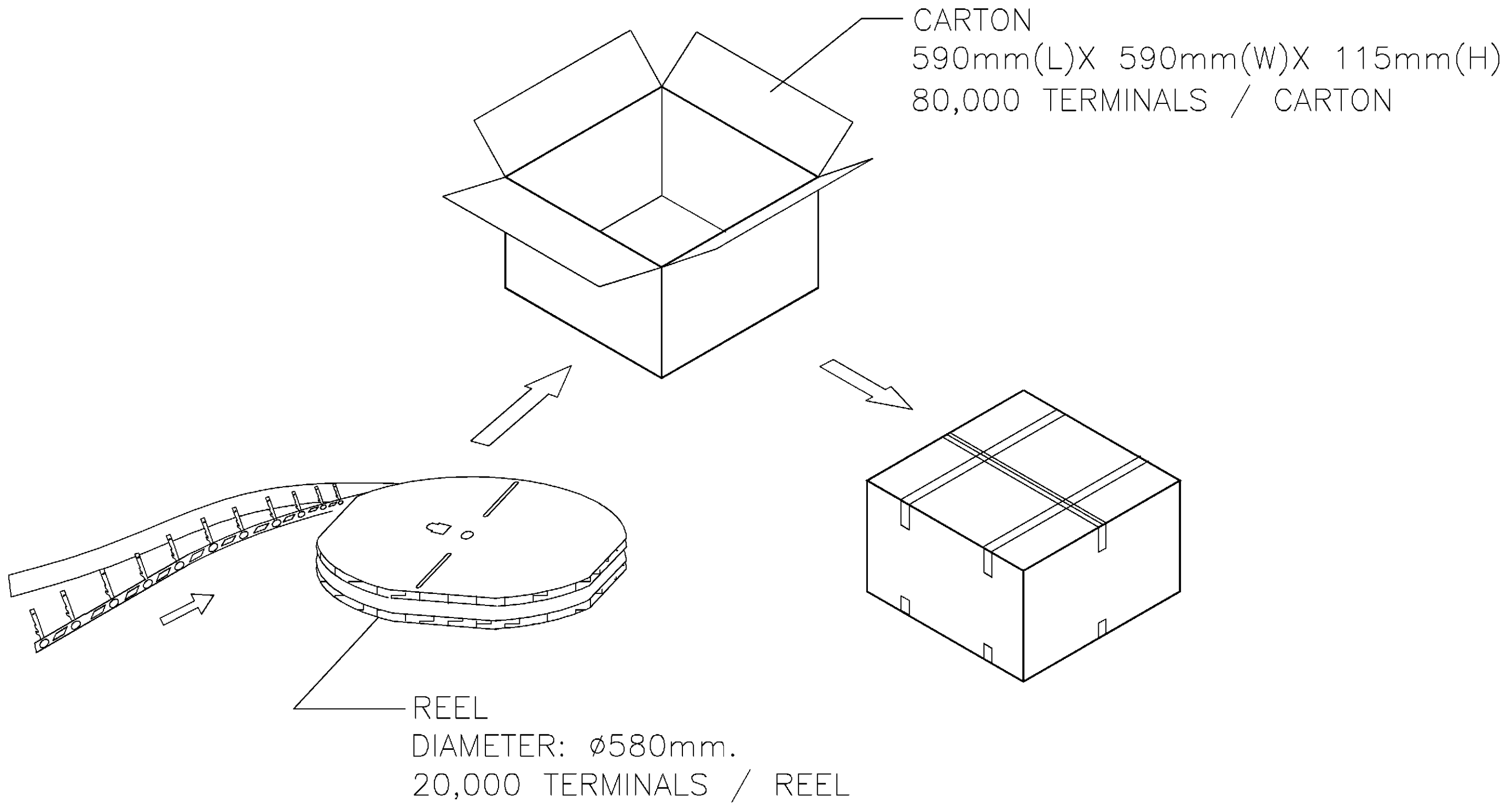
1. MATERIAL:
 TERMINAL: PHOSPHOR BRONZE, THICKNESS=0.2mm.
2. FINISH:
 TERMINAL: 2.0um MIN. TIN(MATTE) PLATE OVER 0.75um MIN. NICKEL UNDERPLATE OVER ALL.
3. APPLY HOUSING PART NO: X-440146-X.
4. APPLICATION SPECIFICATION: 114-57016.
5. APPLICABLE WIRE RANGE: AWG #28-#32.

1734193-1

PART NUMBER

TOLERANCES UNLESS OTHERWISE SPECIFIED: 0 PLC ± 1 PLC ±0.15 2 PLC ±0.10 3 PLC ±0.05 ANGLES ±3'	DWN	O. HU				
		05-JUL-2004				
MATERIAL SEE NOTE	CHK	S. HOU	NAME WIRE TO BOARD SOCKET, TERMINAL			
		05-JUL-2004				
FINISH SEE NOTE	APVD	T. KE	LOC	SIZE	DRAWING NO	REV
		05-JUL-2004	DW	A ₃	C-1734193	P
	QUALIFICATION TEST REPORT	501-57229	SCALE	SHEET		
	WEIGHT			1 OF 2		

P	REVISION RECORD	REVISD PER ECO-11-005301	RK HMR	5APR11
LTR		ECO	DWN CHK	DATE



TOLERANCES UNLESS OTHERWISE SPECIFIED: 0 PLC ± 1 PLC ±0.15 2 PLC ±0.10 3 PLC ±0.05 ANGLES ±3'	DWN	O. HU	TE Connectivity	
		05-JUL-2004		
MATERIAL SEE NOTE	CHK	S. HOU	NAME WIRE TO BOARD SOCKET, TERMINAL	
		05-JUL-2004		
FINISH SEE NOTE	APVD	T. KE	LOC DW A ₃	
		05-JUL-2004		
	QUALIFICATION TEST REPORT		REV P	
	WEIGHT		SCALE --	SHEET 2 OF 2

LTR	REVISION RECORD	SEE SHEET 1.	ECO	DWN	CHK	DATE
-----	-----------------	--------------	-----	-----	-----	------