



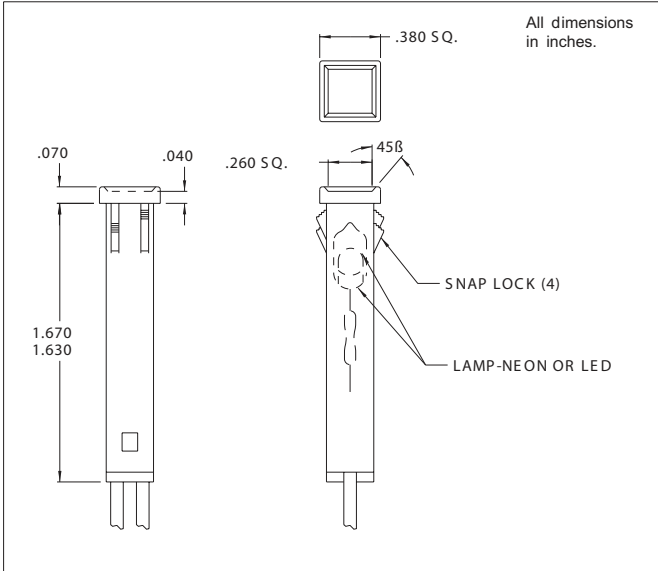
Chicago Miniature Lighting, LLC

Lighting the world since 1910

5900K, 5902K and 5991K Series
Non-Relampable Neon LED Indicator Lights

5900K, 5902K and 5991K Series Non-Relampable Neon LED Indicator Lights

DESCRIPTION AND FEATURES



Mounting: Will snap-fit into Ø.315/.312 sq. hole in panels .020/.130 thick.
Mounting hole pattern on page SP3.

Wire Leads: No.22 AWG (105°C), lead color: red and white, 4.40/4.80 long, stripped .430/.570

Lens: Polycarbonate

Anode(+): Red lead

Lens Color	Neon	Solid State		
	Model No. (105-125VAC)	Model No. (12V)	Model No. (24V)	Incorporates LED
Red	5900K1	5991K1-12V	5991K1-24V	4305H1
Amber	5900K3	-	-	-
Green	5902K5**	5991K5-12V	5991K5-24V	4305H5
Yellow	-	5991K7-12V	5991K7-24V	4305H7
Internal Resistor (ohms)	-	390*	1000*	-
Lamp used	C2A+Resistor	-	-	-

*Also incorporates IN4004 (400 P.I.V.) rectifier diode.

**Incorporates G2B lamp and resistor.

Underwriters Laboratories (UL) File No. E20325

Canadian Standards Association (CSA) File No. LR13346

147 Central Avenue
Hackensack, NJ 07601
Phone: (201) 489-8989
Fax: (201) 489-6911

18703 Dix Toledo Road
Brownstown, MI 48193

Saret Zone Franca, Edificio B
Alajuela Costa Rica

E-mail:sales@chml.com • Web Site: www.chml.com

Chicago Miniature Lighting, LLC reserves the right to make specification revisions that enhance the design and/or performance of the product