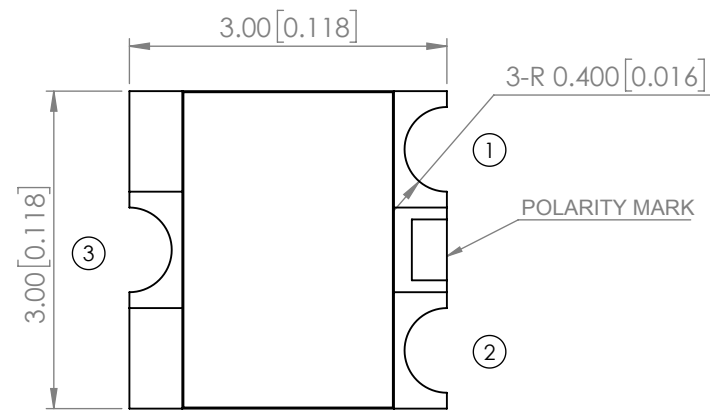
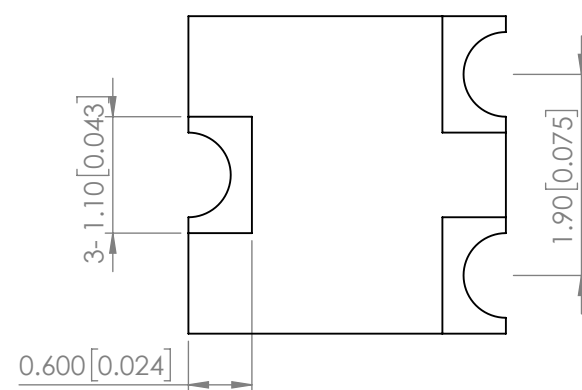
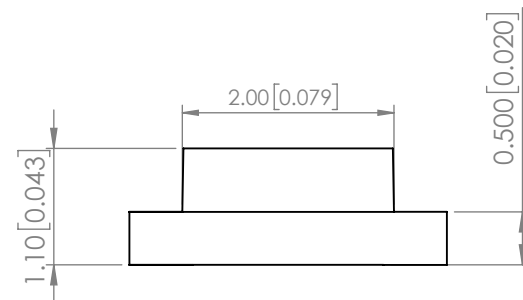
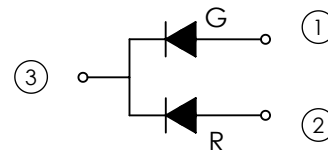


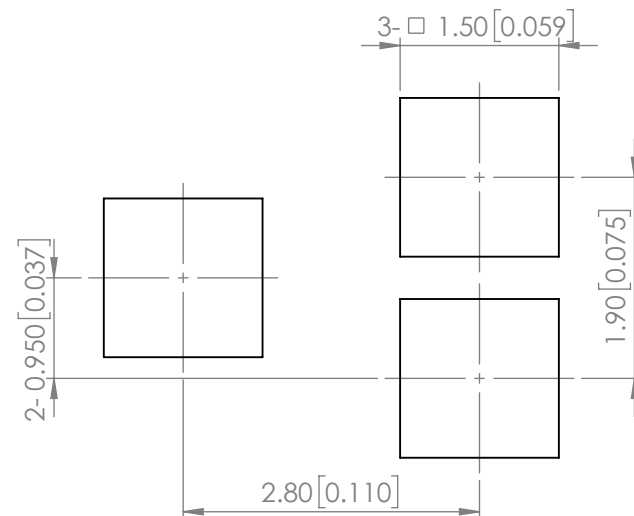
<b>PART NUMBER</b>	SML-LX15GIC-RP-TR	<b>REV</b>	F
<b>REV</b>	E.C.N. NUMBER AND REVISION COMMENTS	DATE	
A	E.C.N. #10967	3.14.03	
B	E.C.N. #11010	7.3.03	
C	E.C.N. #11148	11.30.05	
D	E.C.N. #11361	11.28.06	
E	E.C.N. #11501	05.02.08	
F	ECN-Lumex202000045	05.29.20	



**POLARITY**



**RECOMMENDED SOLDER PAD LAYOUT**



**ELECTRO-OPTICAL CHARACTERISTIC TA=25°C**

PARAMETER	MIN	TYP	MAX	UNITS	TEST COND
PEAK WAVELENGTH	G	-	565	-	nm If=20mA
	R	-	630	-	
FORWARD VOLTAGE	G	-	2.0	2.5	Vf If=20mA
	R	-	2.0	2.5	
REVERSE CURRENT	-	-	10	uA	VR=5V
LUMINOUS INTENSITY	G	-	10	-	mcd If=20mA
	R	-	10	-	
VIEW ANGLE	-	140	-	2x theta1/2	-
EMITTED COLOR	GREEN/RED				
EPOXY LENS FINISH	WATER CLEAR				

**ABSOLUTE MAXIMUM RATINGS TA=25°C**

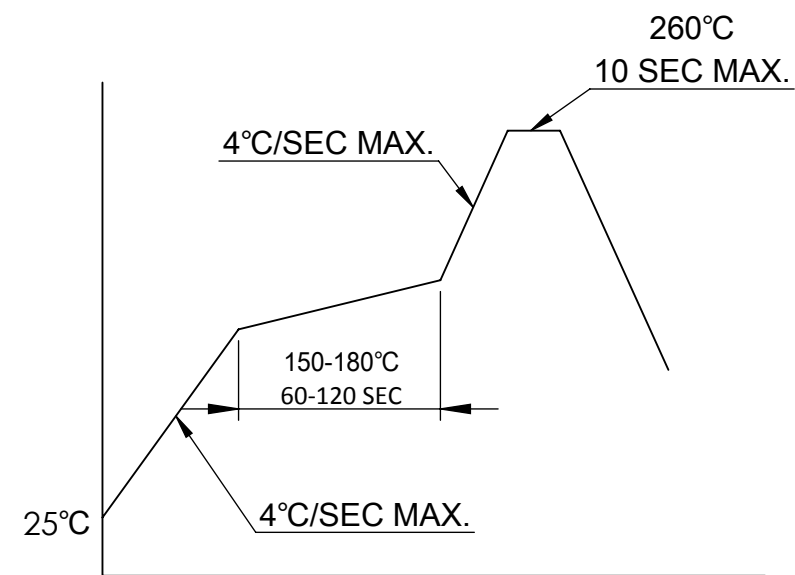
PARAMETER	MAX	UNITS
PEAK FORWARD CURRENT(G/R)*	125/125	mA
FORWARD CURRENT(G/R)	30/30	mA
REVERSE VOLTAGE (G/R)	5	V
POWER DISSIPATION(G/R)	75/75	mW
OPERATING TEMPERATURE	-40 TO +80	°C
STORAGE TEMPERATURE	-40 TO +85	°C

\*1/8 duty f=1kHz

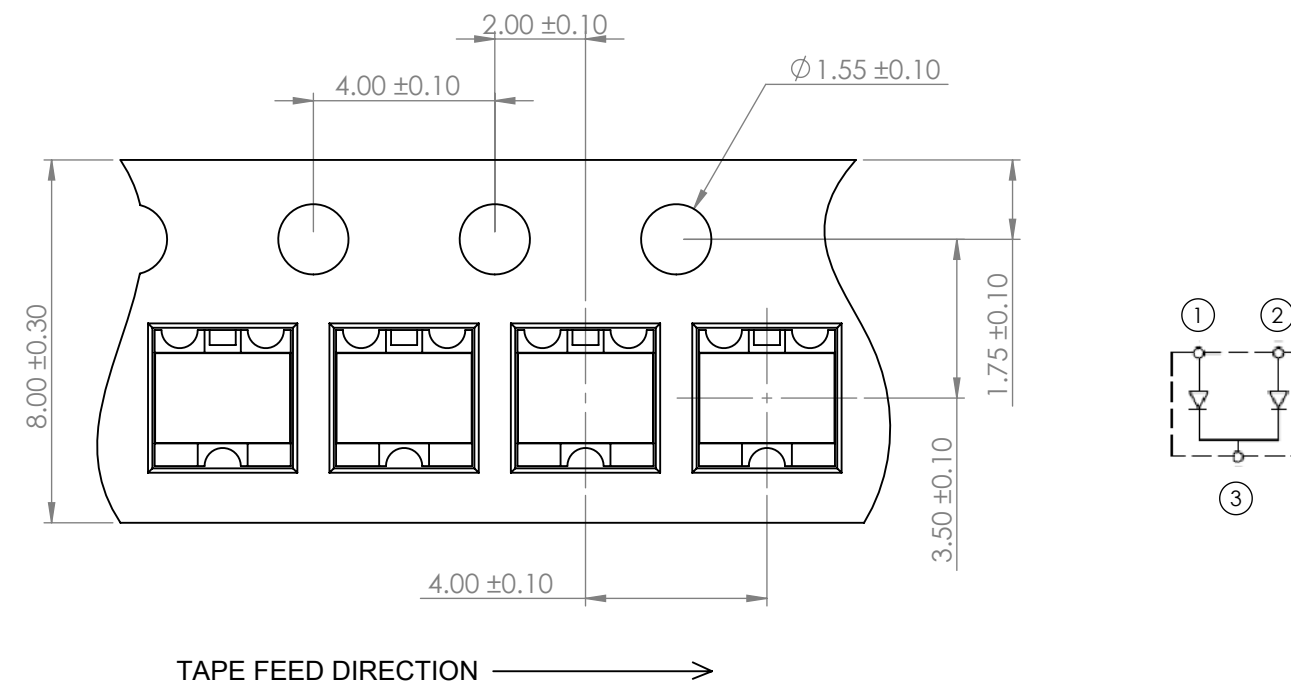
MOISTURE SENSITIVE DEVICE  
PER JEDEC LEVEL 3 STANDARDS

\*UNLESS OTHERWISE SPECIFIED TOLERANCES PER DECIMAL PRECISION ARE: X=±1 (±0.039), X.X=±0.5 (±0.020), X.XX=±0.25 (±0.010), X.XXX=±0.127 (±0.005). LEAD SIZE=±0.05 (±0.002), LEAD LENGTH=±0.75 (±0.030). MIN= <sup>+DECIMAL PRECISION</sup>/<sub>-0.00</sub> MAX= <sup>+0.00</sup>/<sub>-DECIMAL PRECISION</sub>

PROFILE




CARRIER TAPE DIMENSION



NOTE :  
1. PACKAGE : 3000pcs/REEL

\*UNLESS OTHERWISE SPECIFIED TOLERANCES PER DECIMAL PRECISION ARE: X=±1 (±0.039), X.X=±0.5 (±0.020), X.XX=±0.25 (±0.010), X.XXX=±0.127 (±0.005). LEAD SIZE=±0.05 (±0.002), LEAD LENGTH=±0.75 (±0.030). MIN= <sup>+DECIMAL PRECISION</sup>/<sub>-0.00</sub> MAX.= <sup>+0.00</sup>/<sub>-DECIMAL PRECISION</sub>

 <p>425 N. GARY AVE. CAROL STREAM, IL 60188 PHONE : 800-278-5666 FAX : 630-315-2150 WEB : WWW.LUMEX.COM</p>	SOT-23 REPLACEMENT, SURFACE MOUNT LED, 565nm GREEN/630 RED LED, REVERSE POLARITY, WATER CLEAR LENS, TAPE AND REEL		DATE : 2020.05.29	DRAWN BY : E.C.
	**THE SPECIFICATIONS MAY CHANGE AT ANY TIME WITHOUT NOTICE.**		PAGE : 2 OF 2	CHKD BY : E.C.
	CONFIDENTIAL INFORMATION THE INFORMATION CONTAINED IN THIS DOCUMENT IS THE PROPERTY OF LUMEX INC. EXCEPT AS SPECIFICALLY AUTHORIZED IN WRITING BY LUMEX INC., THE HOLDER OF THIS DOCUMENT SHALL KEEP ALL INFORMATION CONTAINED HEREIN CONFIDENTIAL AND SHALL PROTECT SAME IN WHOLE OR IN PART FROM DISCLOSURE AND DISSEMINATION TO ALL THIRD PARTIES.		SCALE : NTF	APRVD BY : G.Y.
			UNIT : mm [INCH]	(No)