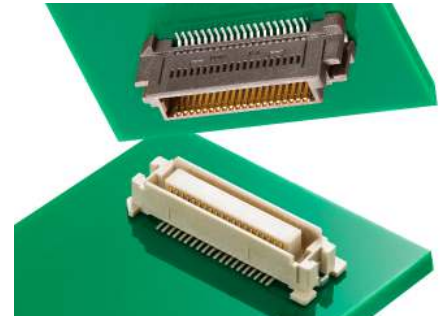


SlimStack Board-to-Board Connectors, 0.635mm Pitch Series



SlimStack Board-to-Board Connectors 0.635mm Pitch Series offers a wide variety of circuit sizes and various stack heights for space savings and design flexibility in a diverse range of applications.

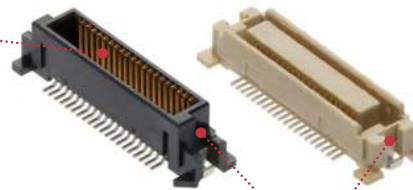
0.635mm Pitch Series has circuit sizes from 20 to 240. In addition, stack heights for this series is from 6.00mm to 16.00mm with same footprint. Molex Micro Solution design provides solutions for any market requirement.



Features and Advantages

Long Effective Mating Length

Improves contact wipe and electrical reliability



Mating Guide Key

Ensures correct mating orientation

Lineup Combination						
Series No.	Receptacle	Plug				
	52885	55091	53625	53647	53649	53627
Circuits	20 to 240	20 to 200	20 to 240	20 to 160	30 to 140	20 to 200
Mated Height (mm)	6.00 to 10.00	6.00	7.00	8.00	9.00	10.00
Series No.	Receptacle	Plug				
	52901	55091	53625	53647	53649	53627
Circuits	20 to 200	20 to 200	20 to 200	20 to 160	30 to 140	20 to 200
Mated Height (mm)	12.00 to 16.00	12.00	13.00	14.00	15.00	16.00

Applications

Automotive

- Car Radar
- Car Infotainment

Datacom

- Servers
- Office Equipment

Industrial

- Automation Machines

Medical

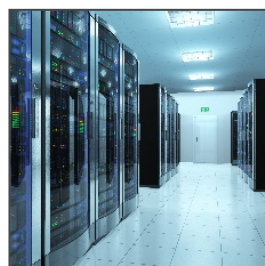
- Patient Monitors
- Ultrasound Monitors

Home Appliance

- Digital Electronics



Car Infotainment



Servers



Automation Machine

SlimStack Board-to-Board Connectors, 0.635mm Pitch Series



Specifications

REFERENCE INFORMATION

Packaging: Embossed Tape with Cover on Reel
 Designed In: Millimeters
 RoHS: Yes
 Halogen Free: Low-Halogen
 (52885/52901/55091 series only)

ELECTRICAL

Voltage (max.): 100V
 Current (max.): 0.5A per circuit
 Contact Resistance (max.): 40 to 70 milliohms
 (varied by each part)
 Dielectric Withstanding Voltage: 250V AC
 Insulation Resistance (min.): 1000 Megohms

MECHANICAL

Durability (max.): 50 cycles

PHYSICAL

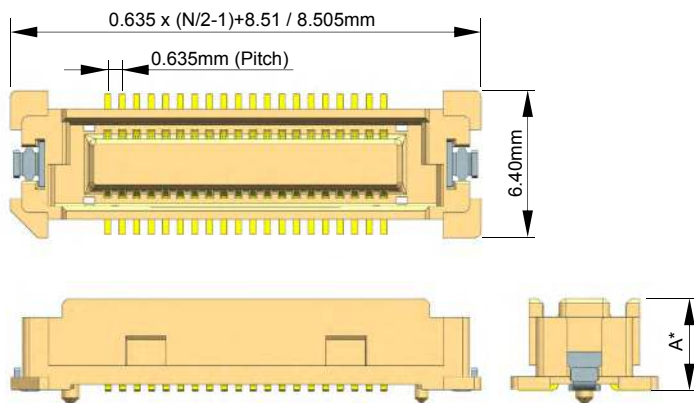
Housing:
 Receptacle: LCP, UL-94V-0, White
 Plug: LCP, UL-94V-0, Brown or Black
 Contact: Copper Alloy
 Fitting Nail: Copper Alloy
 Plating:
 Contact Area – Gold
 Solder Tail Area – Tin
 Underplating – Nickel
 Operating Temperature: -55 to +105°C

Dimensions

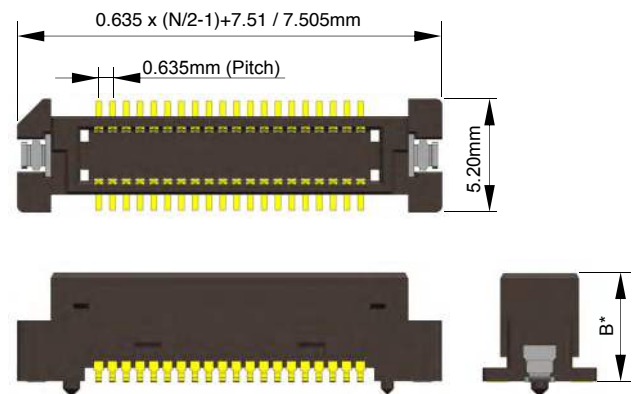
N: Circuit Size

* Refer to drawing for detail dimension

Receptacle



Plug



Ordering Information

Order No.		Mated Height (mm)	Mated Width (mm)	Circuits
Receptacle	Plug			
52885-**74	55091-**74	6.00	6.40	20 to 200
	53625-**74	7.00		20 to 240
	53647-**74	8.00		20 to 160
	53649-**74	9.00		30 to 140
	53627-**74	10.00		20 to 200
52901-**74	55091-**74	12.00		20 to 200
	53625-**74	13.00		20 to 200
	53647-**74	14.00		20 to 160
	53649-**74	15.00		30 to 140
	53627-**74	16.00		20 to 200

** : circuit size

www.molex.com/link/slimstack.html

Molex is a registered trademark of Molex, LLC in the United States of America and may be registered in other countries; all other trademarks listed herein belong to their respective owners.