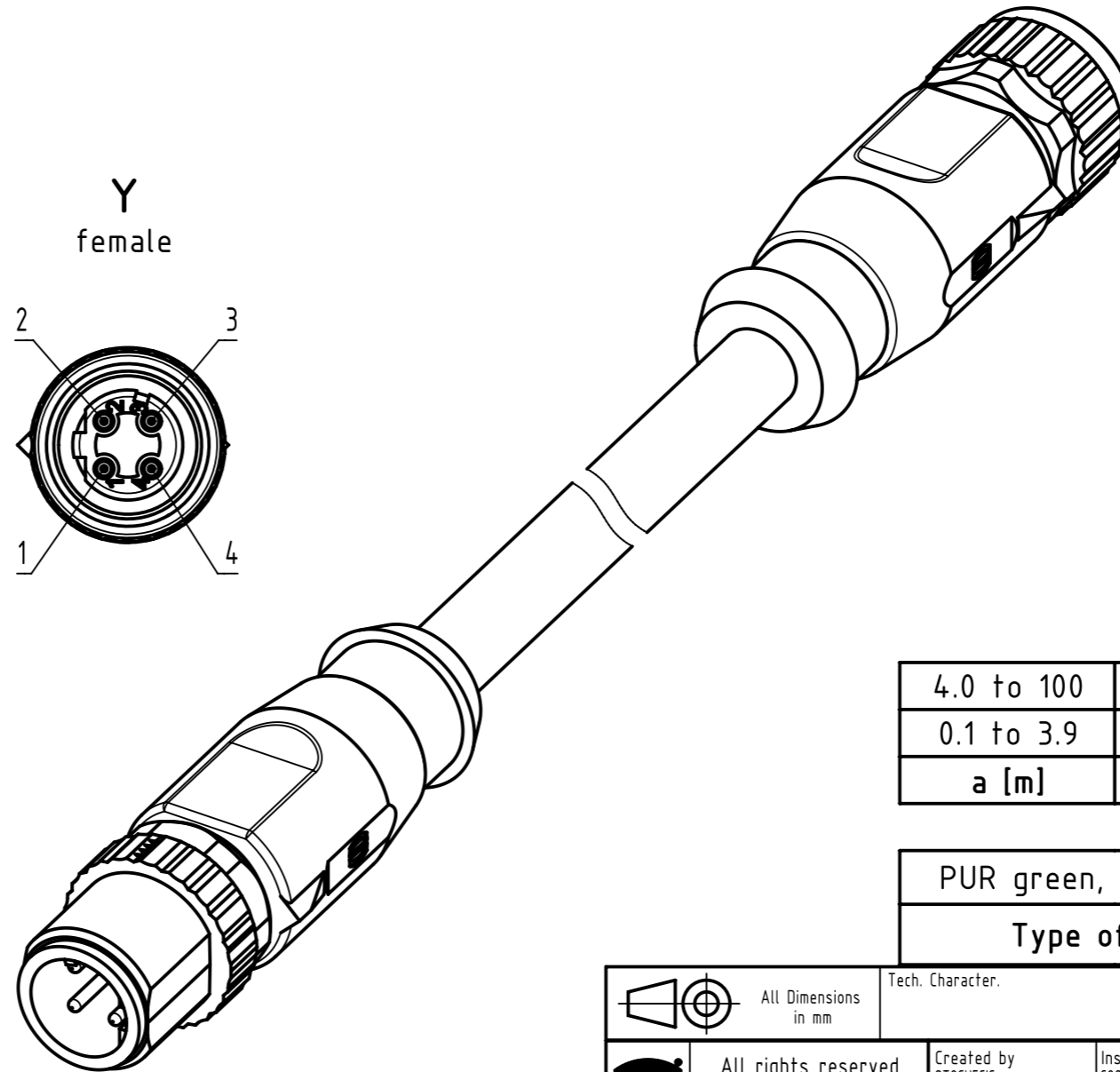
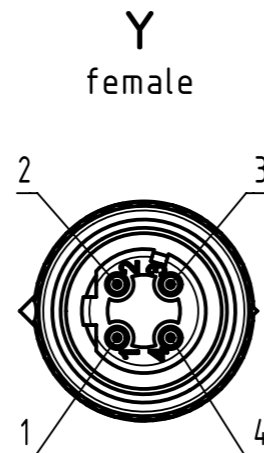
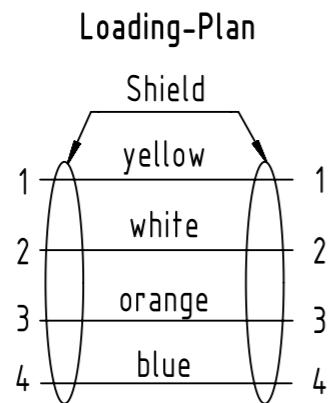
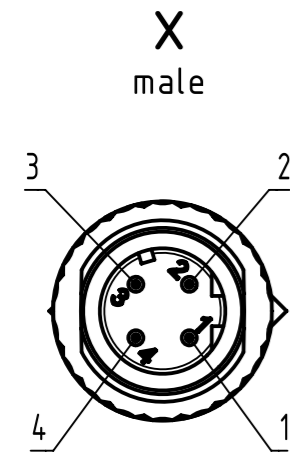
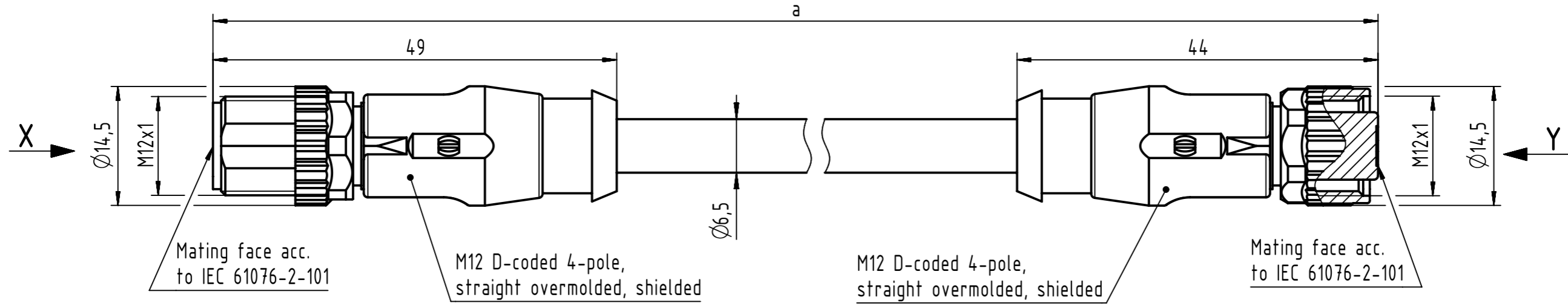


Connector Location A

Connector Location B



E500416



length in "1m" step	100	XXX=000
	99	XXX=990
	.	.
	12	XXX=120
	11	XXX=110
length in "0.1m" step	10	XXX=100
	9.9	XXX=099
	9.8	XXX=098
	.	.
	0.4	XXX=004
	0.3	XXX=003
	0.2	XXX=002
0.1	XXX=001	
Step	a [m]	XXX

4.0 to 100	±1%
0.1 to 3.9	+0.04
a [m]	Tolerance

PUR green, 4xAWG22/7	21349293477XXX
Type of cable	Part no.

- Protection level: IP67  
 - Temperature range: -30°C ... +70°C

All Dimensions in mm		Tech. Character.		Free size tol.		According to production drawing	
All rights reserved Department HCS - RO	Created by STOCHEVIC Stochevi	Inspected by COSTEA Costea	Standardisation MUNTEANV Muntean	Date 2018-12-14	State Final Release		
	Title M12 Cable Assembly D-cod st/st m/f			Doc-Key / ECM-Nr. 100807037/UGD/000/A 500000144883		Rev. A	Page 1/1
HARTING Customised Solutions D-32339 Espelkamp		Type TB	Number 21349293477XXX				