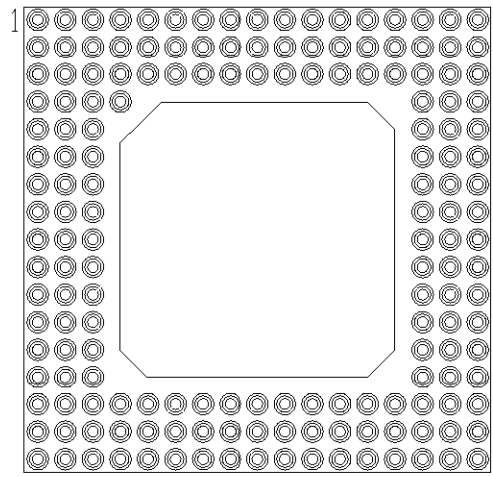
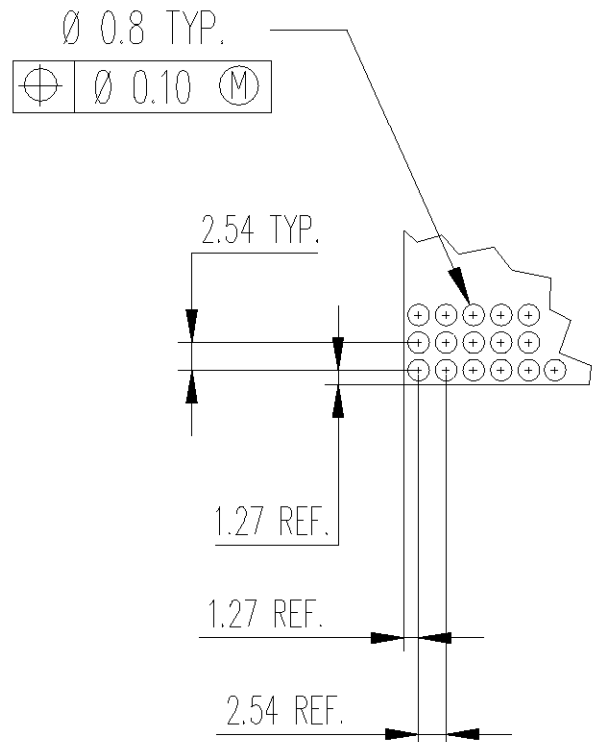
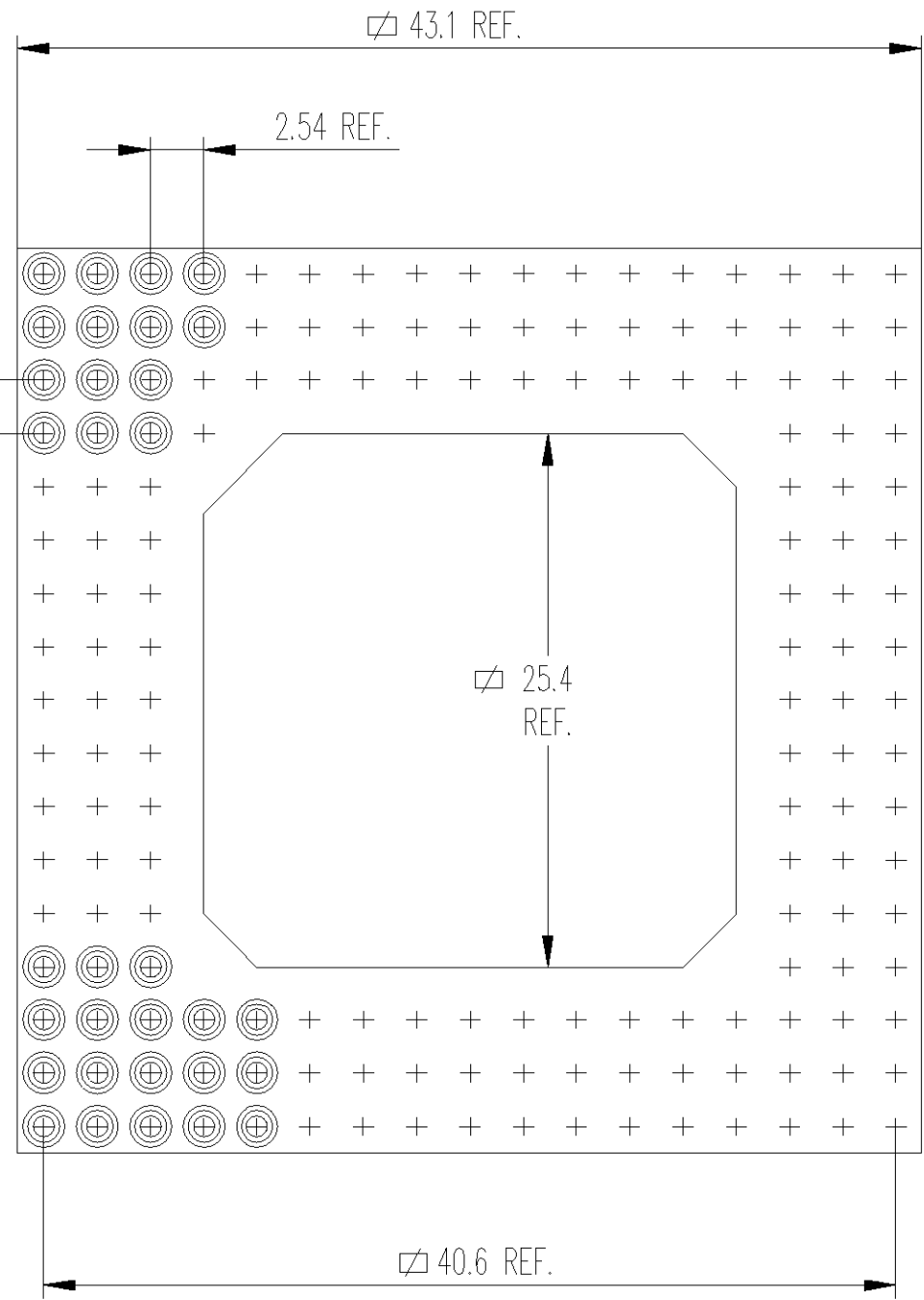
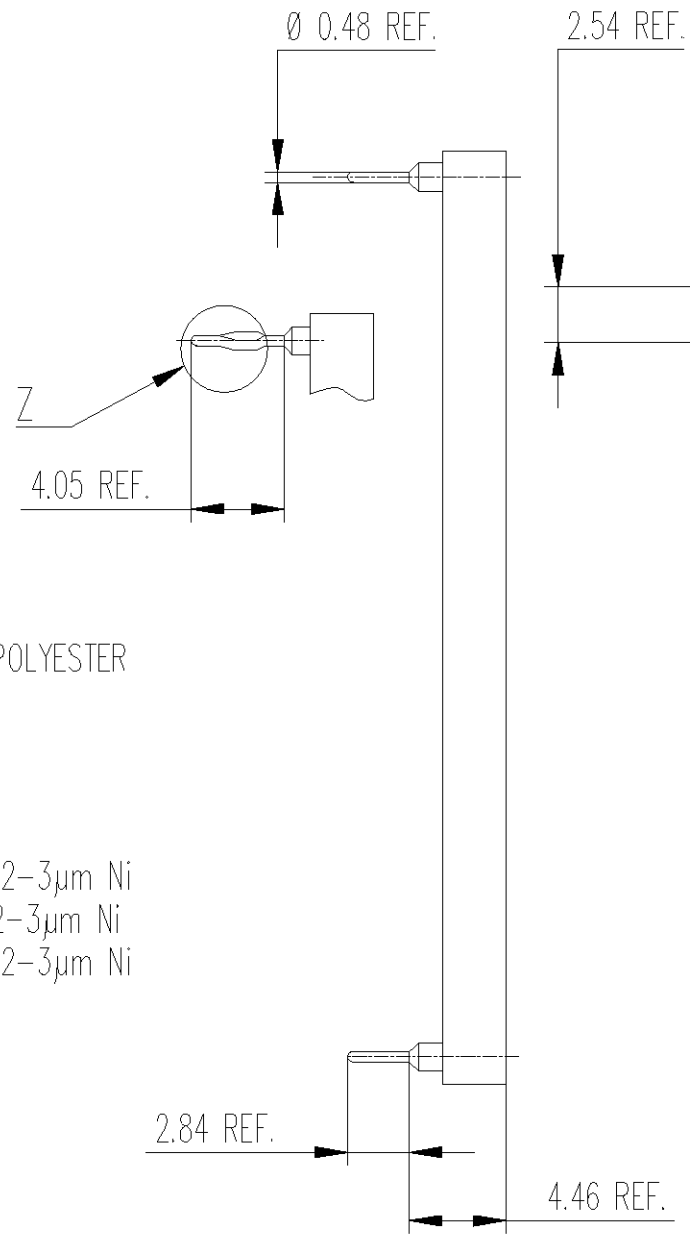


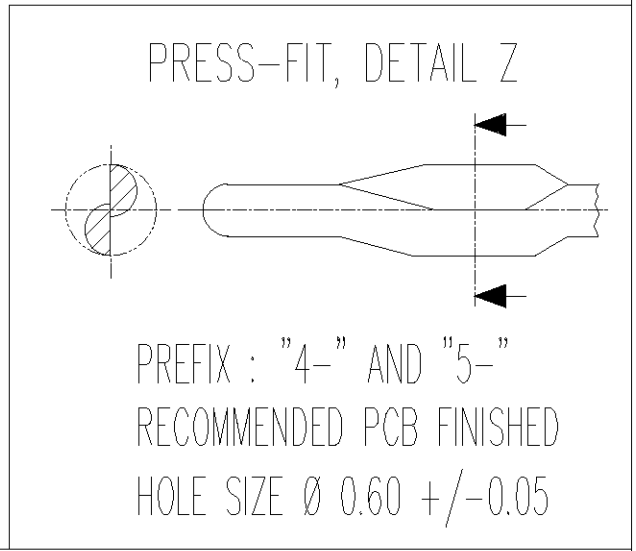
DRAWING NO
C - 210227



169 positions
Ech. 1:1



RECOMMENDED P.C.
BOARD PATTERN



- NOTE :
- MATERIAL
 - INSULATOR : GLASSFILLED THERMOPLASTIC POLYESTER
 - SOLDER TAIL SLEEVE : BRASS
 - PRESS-FIT SLEEVE : PHOSPHOR BRONZE
 - CLIP : STAMPED BERYLLIUM COPPER
 - SLEEVE PLATING:
 - PREFIX "0-" AND "2-": 5 μ m Sn/Pb OVER 2-3 μ m Ni
 - PREFIX "1-" AND "3-": 0.25 μ m Au OVER 2-3 μ m Ni
 - PREFIX "4-" AND "5-": 3 μ m Sn/Pb OVER 2-3 μ m Ni
 - INNER CONTACT PLATING
 - SUFFIX "-1" 0.25 μ m 18c. Au
 - SUFFIX "-3" 0.75 μ m 18c. Au
 - SUFFIX "-4" 0.75 μ m 24c. Au
 - SUFFIX "-5" 5 μ m MIN. Sn/Pb **
 - SUFFIX "-6" 0.1 μ m FLASH 24c. Au
 - ** ONLY WITH PREFIX "0-", "2-", "4-" AND "5-"
 - INNER SPRING CONTACT ACCEPT $\varnothing 0.40$ TO 0.56
OR RECTANGULAR PIN 0.25×0.45
 - INSERTION CHARACTERISTICS:
 - PREFIX "0-", "1-" AND "4-": VERY LOW FORCE
 - PREFIX "2-", "3-" AND "5-": ULTRA LOW FORCE
 - MECHANICAL DATA WITH A $\varnothing 0.43$ TEST PIN :

	ULI	ULI
-MAX. INSERTION FORCE :	0.7N	0.2N
-MIN. EXTRACTION FORCE :	0.1N	0.05N
-MECHANICAL LIFE :	100 CYCLES MIN.	

DIMENSIONS	mm						
SURFACE TEXTURE							
CONCENTRICITY		0.15					
PRODUCT SPEC.		P	REV	ECN	DRWN	DATE	APVD

DRAWN	P.-A. MEIER	16 APR 99
CHECKED	A. BOLIS	16 APR 99
APPROVED		
CUSTOMER DRAWING		
FOR REFERENCE ONLY		

THIS INFORMATION IS CONFIDENTIAL AND IS DISCLOSED TO YOU ON CONDITION THAT NO FUTHER DISCLOSURE IS MADE BY YOU TO OTHER THAN AMP PERSONNEL WITHOUT WRITTEN AUTHORIZATION FROM DSM SWITZERLAND.		
NAME		
OPEN FRAME PGA		
17 x 17, 169 SOCKETS		

WAS 700-169-17-0-CC AND CCAP
WAS 345632-6 TO 10

AMP DSM DECOLLETAGE SA SAINT-MAURICE
CH 1890 SAINT-MAURICE (VS)

LOC	SCALE	SIZE	DRAWING NO	SHEET	REVISION
EK	2/1	A4	C - 210227	1 of 1	B1