

MATERIALS AND FINISHES

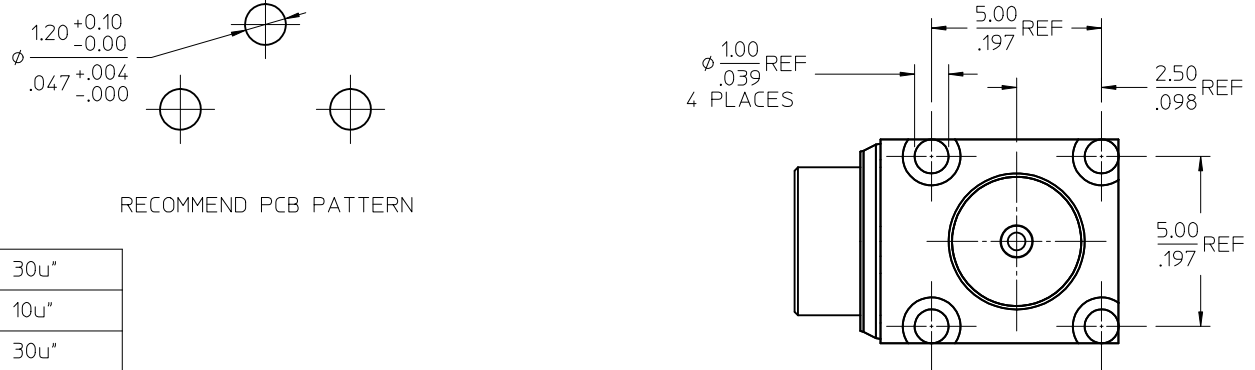
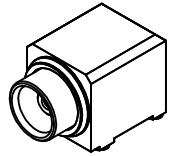
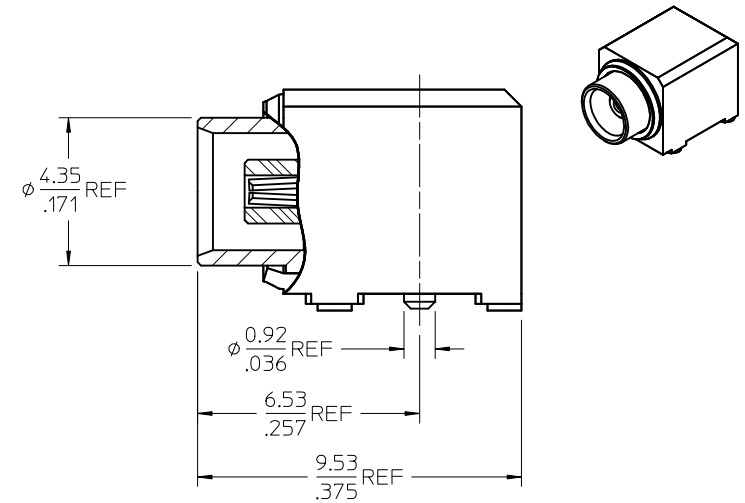
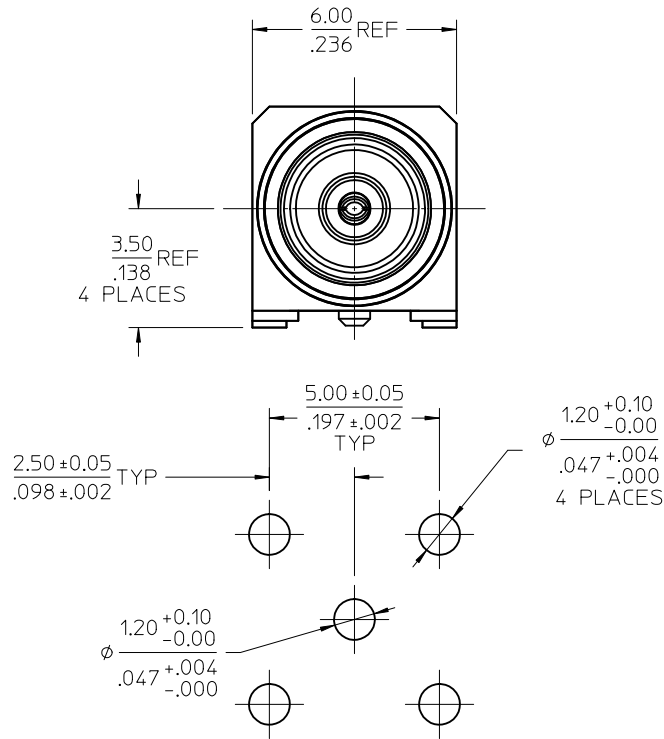
BODY: BRASS  
PLATED: SEE TABLE

CENTER CONTACT: BERYLLIUM COPPER  
PLATED: GOLD (SEE TABLE FOR THICKNESS)

HOUSING: ZINC ALLOY  
PLATED: TIN/ZINC/COPPER ALLOY (TRI-M)

INSULATOR: TEFLON (UL 94V-0)

PACKAGING: SEE TABLE

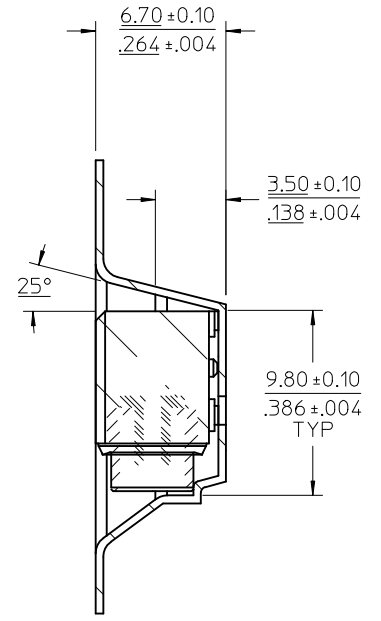
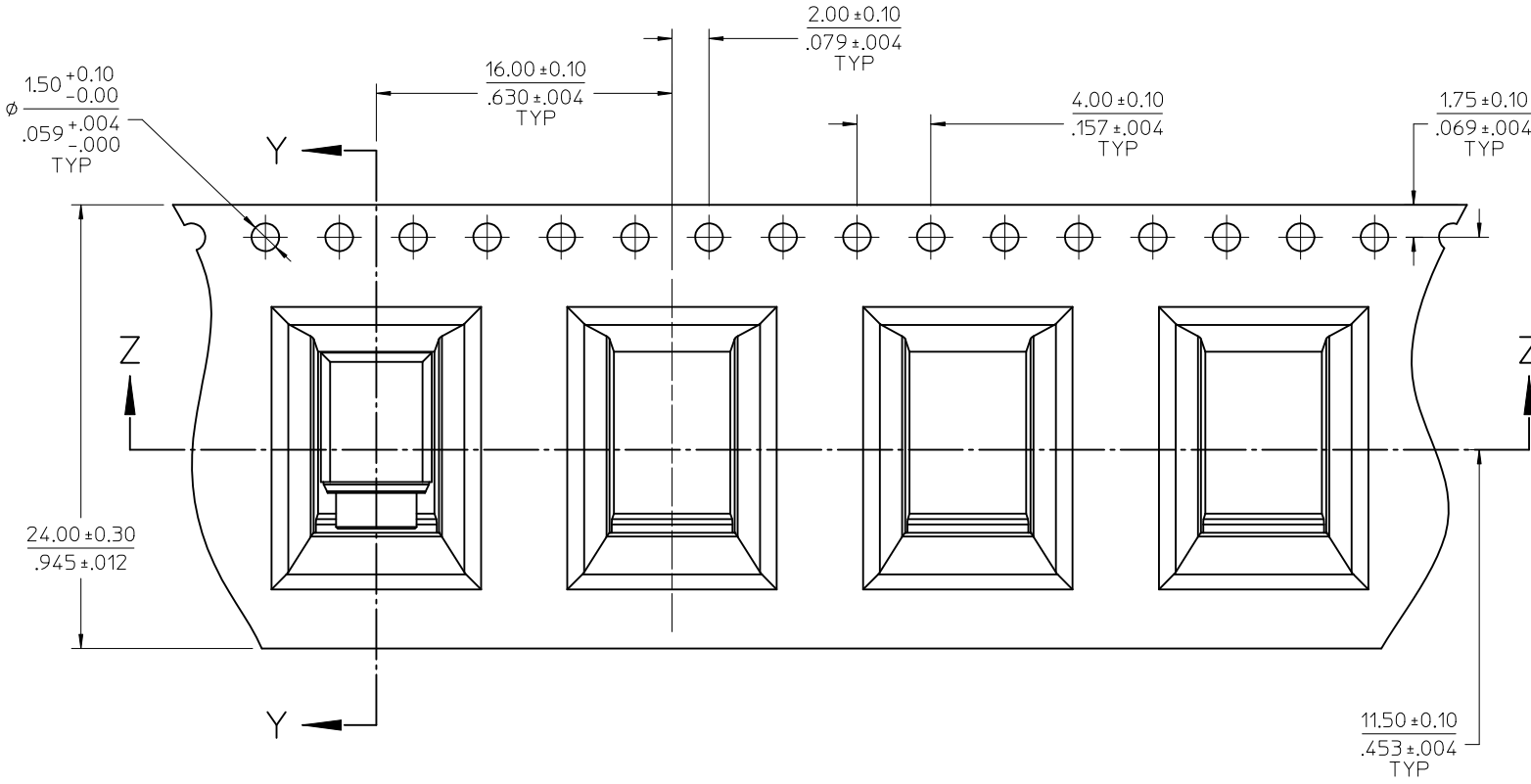


RECOMMEND PCB PATTERN

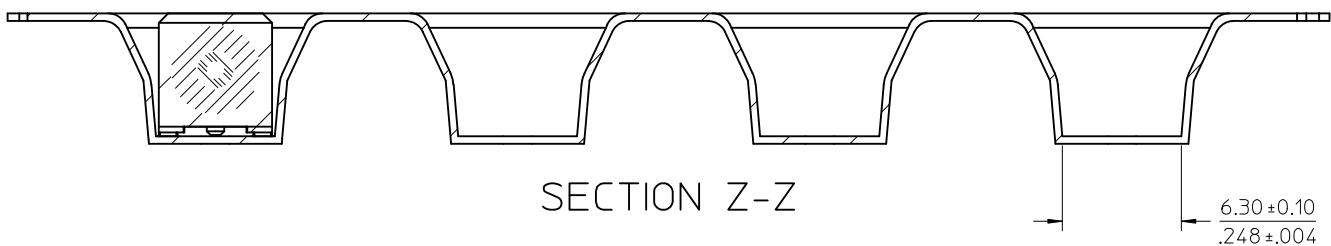
73415-1104	GOLD	ONE PER BAG	30u"
73415-1103	NICKEL	TAPE AND REEL	10u"
73415-1102	GOLD	TAPE AND REEL	30u"
73415-1101	NICKEL	TAPE AND REEL	30u"
73415-1100	NICKEL	TRAY	30u"
PART NO.	PLATING	PACKAGING	CONTACT
	BODY		PLATING

PS-89675-1830	PRODUCT SPECIFICATION
SPECIFICATION	DESCRIPTION

CHG: ADD UL REFERENCE FOR TEFLON EC NO: URF2012-0588 DRWN: WIENER 2012/04/10 CHKD: SSS 2012/04/10 APPR: WIENER 2012/04/16 REV: C7	QUALITY SYMBOLS ▽=0 ▽=0	GENERAL TOLERANCES (UNLESS SPECIFIED) <table border="1"> <tr> <th></th> <th>mm</th> <th>INCH</th> </tr> <tr> <td>4 PLACES</td> <td>± .005</td> <td>± .0002</td> </tr> <tr> <td>3 PLACES</td> <td>± .005</td> <td>± .0002</td> </tr> <tr> <td>2 PLACES</td> <td>± .005</td> <td>± .0002</td> </tr> <tr> <td>1 PLACE</td> <td>± .005</td> <td>± .0002</td> </tr> </table> ANGULAR ± 2 °		mm	INCH	4 PLACES	± .005	± .0002	3 PLACES	± .005	± .0002	2 PLACES	± .005	± .0002	1 PLACE	± .005	± .0002	DIMENSION STYLE MM/IN	SCALE DESIGN UNITS METRIC	THIRD ANGLE PROJECTION
		mm	INCH																	
	4 PLACES	± .005	± .0002																	
	3 PLACES	± .005	± .0002																	
2 PLACES	± .005	± .0002																		
1 PLACE	± .005	± .0002																		
DRAWN BY LINN		DATE 2000/03/01		TITLE MCX JACK, R/A, SMT, PCB 50 OHMS MCX-J/RA/PCB EWR-2659																
CHECKED BY JOHNSON		DATE 2000/03/01		MOLEX MOLEX INCORPORATED																
APPROVED BY MISEN		DATE 2000/03/01		DOCUMENT NO. SD-73415-110																
DRAFT WHERE APPLICABLE MUST REMAIN WITHIN DIMENSIONS			SIZE C	THIS DRAWING CONTAINS INFORMATION THAT IS PROPRIETARY TO MOLEX INCORPORATED AND SHOULD NOT BE USED WITHOUT WRITTEN PERMISSION																



SECTION Y-Y



SECTION Z-Z

CHG: SEE SHEET 1	QUALITY SYMBOLS
EC NO: URF2012-0588	▽=0
DRWN: JMIENER 2012/04/10	▽=0
CHKD: SSS 2012/04/10	
APPR: JMIENER 2012/04/16	
REV	DESCRIPTION
C7	

GENERAL TOLERANCES (UNLESS SPECIFIED)	
mm	INCH
4 PLACES ± .004	± .0001
3 PLACES ± .005	± .0002
2 PLACES ± .008	± .0003
1 PLACE ± .015	± .0005
ANGULAR ± 2°	
DRAFT WHERE APPLICABLE MUST REMAIN WITHIN DIMENSIONS	

DIMENSION STYLE	
MM/IN	
DRAWN BY	DATE
LINN	2000/03/01
CHECKED BY	DATE
JOHNSON	2000/03/01
APPROVED BY	DATE
MISEN	2000/03/01
MATERIAL NO.	
SEE SHEET 1	
SIZE	
C	

SCALE	DESIGN UNITS	THIRD ANGLE PROJECTION
	METRIC	
TITLE		
MCX JACK, R/A, SMT, PCB		
50 OHMS		
MCX-J/RA/PCB EWR-2659		
MATERIAL NO.		
SEE SHEET 1		
DOCUMENT NO.		
SD-73415-110		
SHEET NO.		
2 OF 2		

MATERIALS AND FINISHES

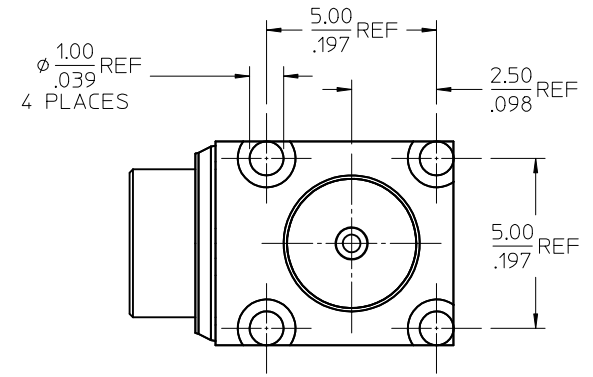
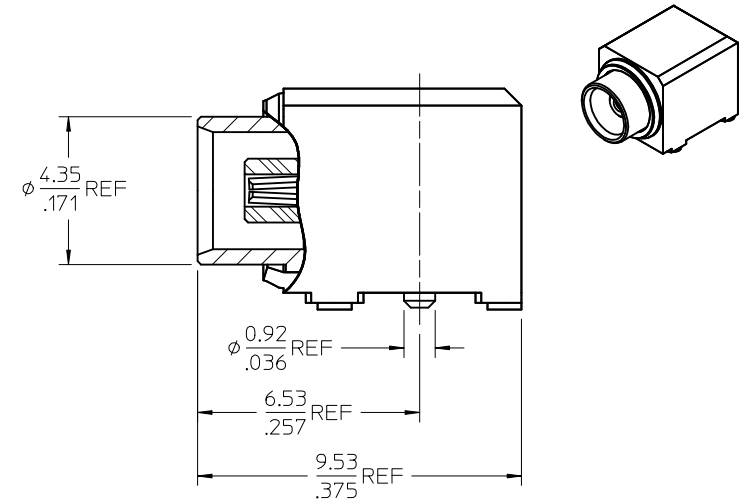
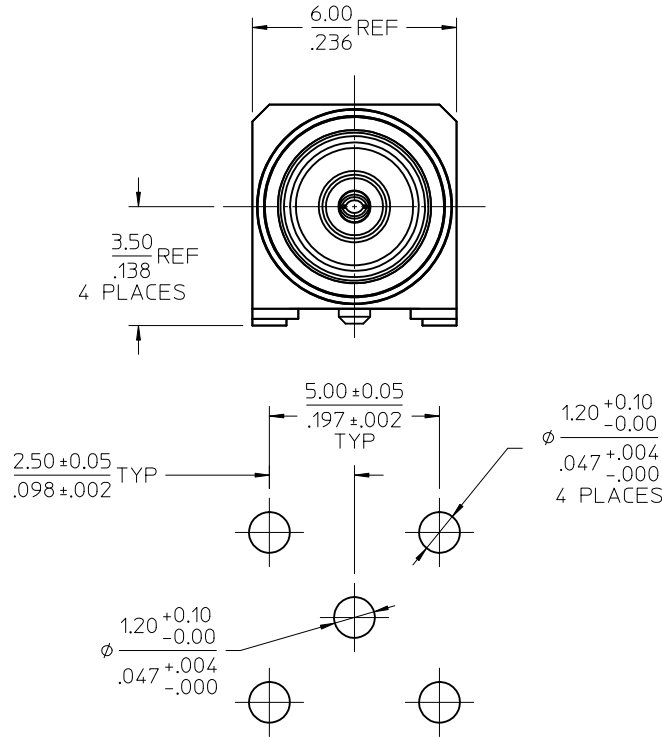
BODY: BRASS  
PLATED: SEE TABLE

CENTER CONTACT: BERYLLIUM COPPER  
PLATED: GOLD (SEE TABLE FOR THICKNESS)

HOUSING: ZINC ALLOY  
PLATED: TIN/ZINC/COPPER ALLOY (TRI-M)

INSULATOR: TEFLON (UL 94V-0)

PACKAGING: SEE TABLE

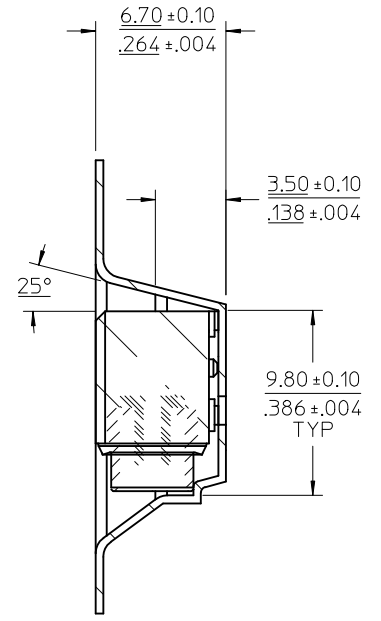
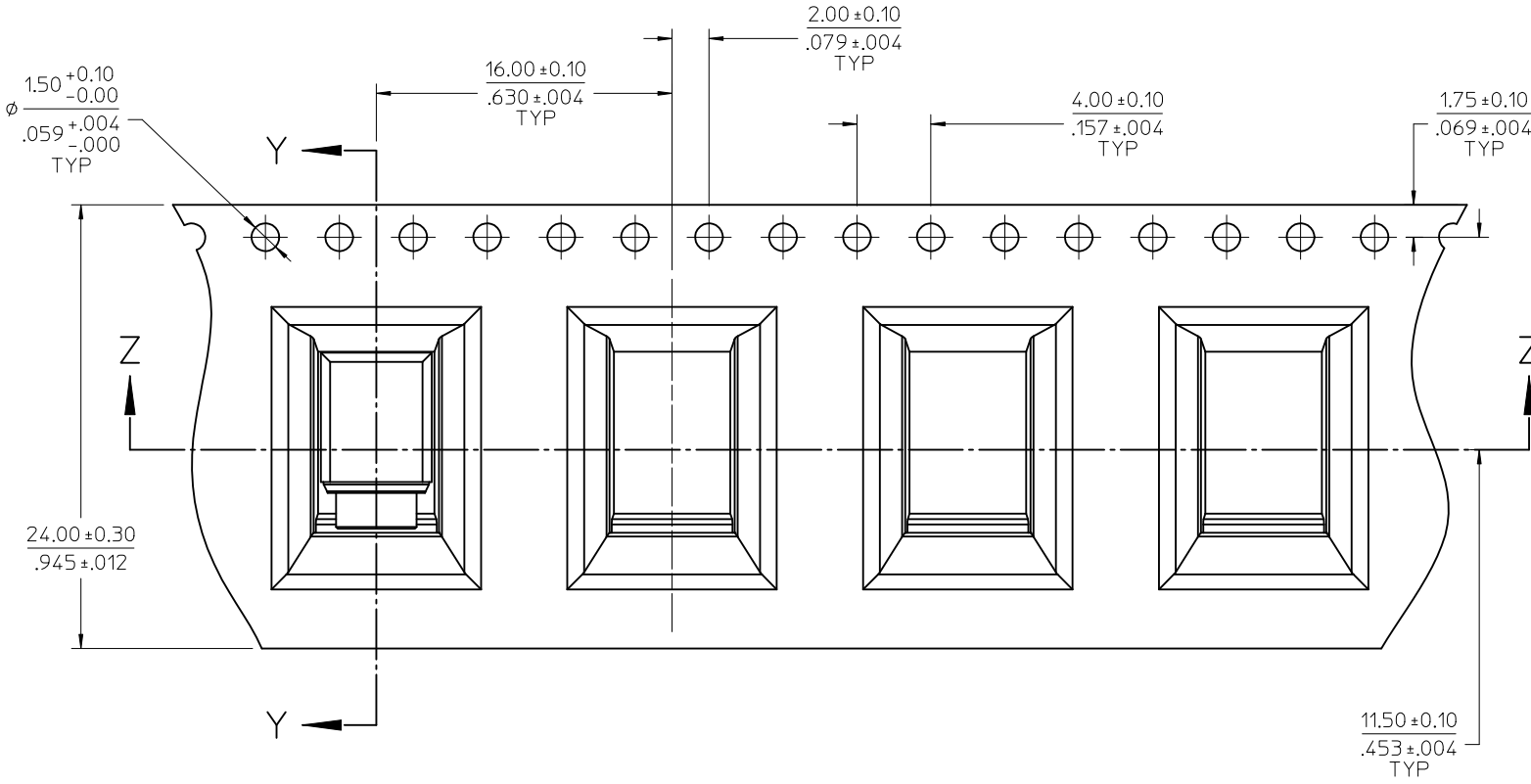


RECOMMEND PCB PATTERN

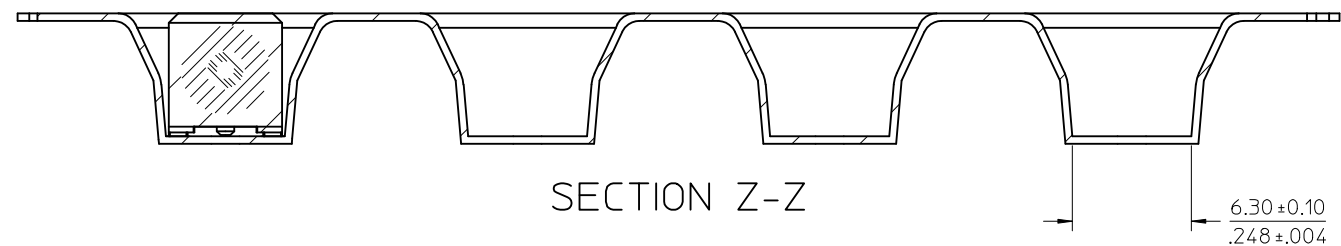
73415-1104	GOLD	ONE PER BAG	30u"
73415-1103	NICKEL	TAPE AND REEL	10u"
73415-1102	GOLD	TAPE AND REEL	30u"
73415-1101	NICKEL	TAPE AND REEL	30u"
73415-1100	NICKEL	TRAY	30u"
PART NO.	PLATING	PACKAGING	CONTACT
	BODY		PLATING

PS-89675-1830	PRODUCT SPECIFICATION
SPECIFICATION	DESCRIPTION

CHG: ADD UL REFERENCE FOR TEFLON EC NO: URF2012-0588 DRWN: WIENER 2012/04/10 CHKD: SSS 2012/04/10 APPR: WIENER 2012/04/16 REV: C7	QUALITY SYMBOLS ▽=0 ▽=0	GENERAL TOLERANCES (UNLESS SPECIFIED) <table border="1"> <thead> <tr> <th></th> <th>mm</th> <th>INCH</th> </tr> </thead> <tbody> <tr> <td>4 PLACES</td> <td>± .005</td> <td>± .0002</td> </tr> <tr> <td>3 PLACES</td> <td>± .005</td> <td>± .0002</td> </tr> <tr> <td>2 PLACES</td> <td>± .005</td> <td>± .0002</td> </tr> <tr> <td>1 PLACE</td> <td>± .005</td> <td>± .0002</td> </tr> </tbody> </table> ANGULAR ± 2 °		mm	INCH	4 PLACES	± .005	± .0002	3 PLACES	± .005	± .0002	2 PLACES	± .005	± .0002	1 PLACE	± .005	± .0002	DIMENSION STYLE MM/IN	SCALE DESIGN UNITS METRIC	THIRD ANGLE PROJECTION
		mm	INCH																	
	4 PLACES	± .005	± .0002																	
	3 PLACES	± .005	± .0002																	
2 PLACES	± .005	± .0002																		
1 PLACE	± .005	± .0002																		
DRAWN BY LINN	DATE 2000/03/01	CHECKED BY JOHNSON	DATE 2000/03/01	TITLE MCX JACK, R/A, SMT, PCB 50 OHMS MCX-J/RA/PCB EWR-2659	MOLEX INCORPORATED															
APPROVED BY MISEN	DATE 2000/03/01	MATERIAL NO. SEE TABLE	DOCUMENT NO. SD-73415-110	SHEET NO. 1 OF 2	THIS DRAWING CONTAINS INFORMATION THAT IS PROPRIETARY TO MOLEX INCORPORATED AND SHOULD NOT BE USED WITHOUT WRITTEN PERMISSION															
DRAFT WHERE APPLICABLE MUST REMAIN WITHIN DIMENSIONS																				



SECTION Y-Y



SECTION Z-Z

CHG: SEE SHEET 1	QUALITY SYMBOLS
EC NO: URF2012-0588	▽=0
DRWN: JMIENER 2012/04/10	▽=0
CHKD: SSS 2012/04/10	
APPR: JMIENER 2012/04/16	
REV	DESCRIPTION
C7	

GENERAL TOLERANCES (UNLESS SPECIFIED)	
mm	INCH
4 PLACES ± .005	± .0001
3 PLACES ± .005	± .0002
2 PLACES ± .005	± .0003
1 PLACE ± .005	± .0004
ANGULAR ± 2°	
DRAFT WHERE APPLICABLE MUST REMAIN WITHIN DIMENSIONS	

DIMENSION STYLE	
MM/IN	
DRAWN BY	DATE
LINN	2000/03/01
CHECKED BY	DATE
JOHNSON	2000/03/01
APPROVED BY	DATE
MISEN	2000/03/01
MATERIAL NO.	
SEE SHEET 1	
SIZE	
C	

SCALE	DESIGN UNITS	THIRD ANGLE PROJECTION
	METRIC	
TITLE		
MCX JACK, R/A, SMT, PCB		
50 OHMS		
MCX-J/RA/PCB EWR-2659		
MOLEX MOLEX INCORPORATED		SHEET NO.
DOCUMENT NO.		2 OF 2
SD-73415-110		
THIS DRAWING CONTAINS INFORMATION THAT IS PROPRIETARY TO MOLEX INCORPORATED AND SHOULD NOT BE USED WITHOUT WRITTEN PERMISSION		