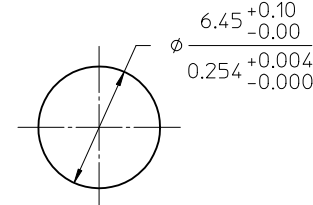
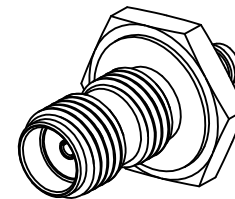
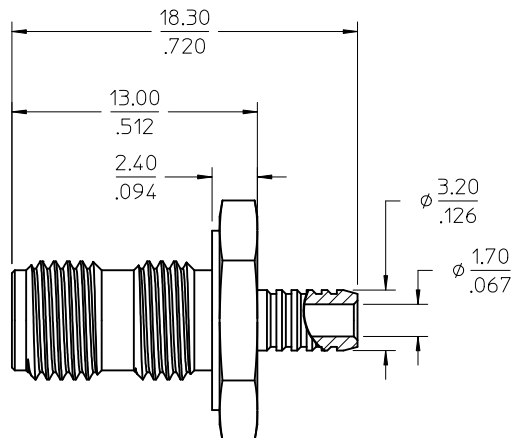
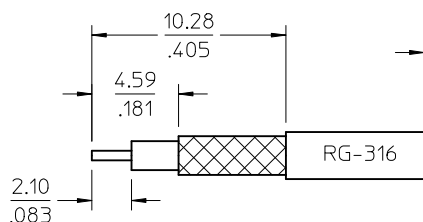
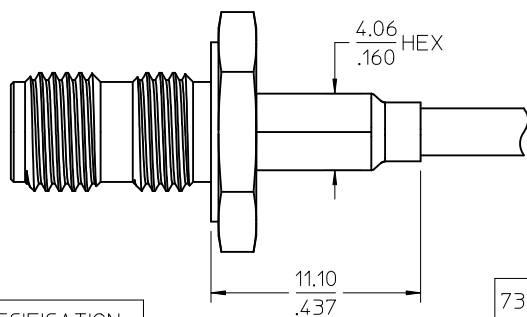
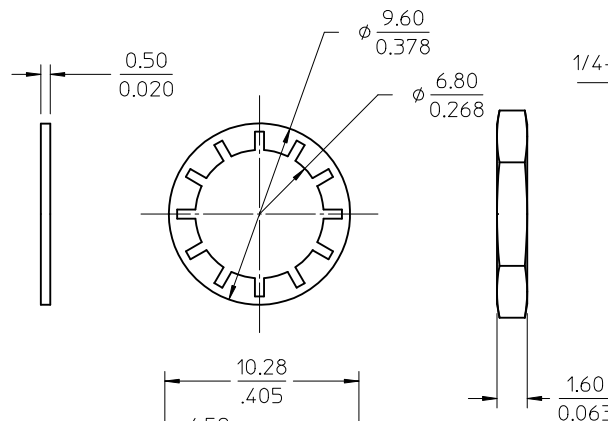
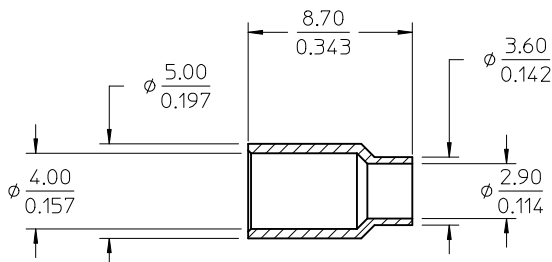


MATERIALS AND FINISHES

- BODY, NUT: BRASS
PLATED GOLD
- CRIMP TUBE: BRASS
PLATED NICKEL
- CONTACT: BERYLLIUM COPPER
PLATED GOLD
- INSULATOR: TEFLON
- LOCK WASHER: PHOSPHOR BRONZE
PLATED GOLD



RECOMMENDED PANEL CUTOUT
MAX PANEL THICKNESS 1.96/.077



RECOMMENDED CABLE STRIP

PART NO.: 73391-0030

PS-89675-346	PRODUCT SPECIFICATION
SPECIFICATION	DESCRIPTION

73391-0031	73391-0030 BY TRAY (20 CAV.)
PART NO.	PACKAGING

CHANGE REMOVE AI PS WAS PS-73436-009 ADD STRIP VIEW ADD HEX SIZE ADD CABLE ASSEMBLY VIEW CRIMP TUBE PLATING WAS GOLD	EC NO: URF2010-0549 DRWN: JWIENER 2010/04/01 CHKD: SSS 2010/04/07 APPR: JWIENER 2010/04/08
	C4 REV

QUALITY SYMBOLS ▽=0 ▽=0	GENERAL TOLERANCES (UNLESS SPECIFIED) mm INCH 4 PLACES ± --- ± --- 3 PLACES ± --- ± --- 2 PLACES ± --- ± --- 1 PLACE ± --- ± --- ANGULAR ± 2°
-------------------------------	---

DRAFT WHERE APPLICABLE MUST REMAIN WITHIN DIMENSIONS
--

DIMENSION STYLE MM/IN DRAWN BY DATE IRIS 2003/12/24 CHECKED BY DATE KERRIE 2003/12/24 APPROVED BY DATE JWIENER 2010/04/08
--

SCALE DESIGN UNITS METRIC THIRD ANGLE PROJECTION	TITLE SMA JACK 50 OHMS RG316 BULKHEAD MOUNT SMA-JC
MATERIAL NO. SEE TABLE	DOCUMENT NO. SD-73391-0030
SHEET NO. 1 OF 1	THIS DRAWING CONTAINS INFORMATION THAT IS PROPRIETARY TO MOLEX INCORPORATED AND SHOULD NOT BE USED WITHOUT WRITTEN PERMISSION