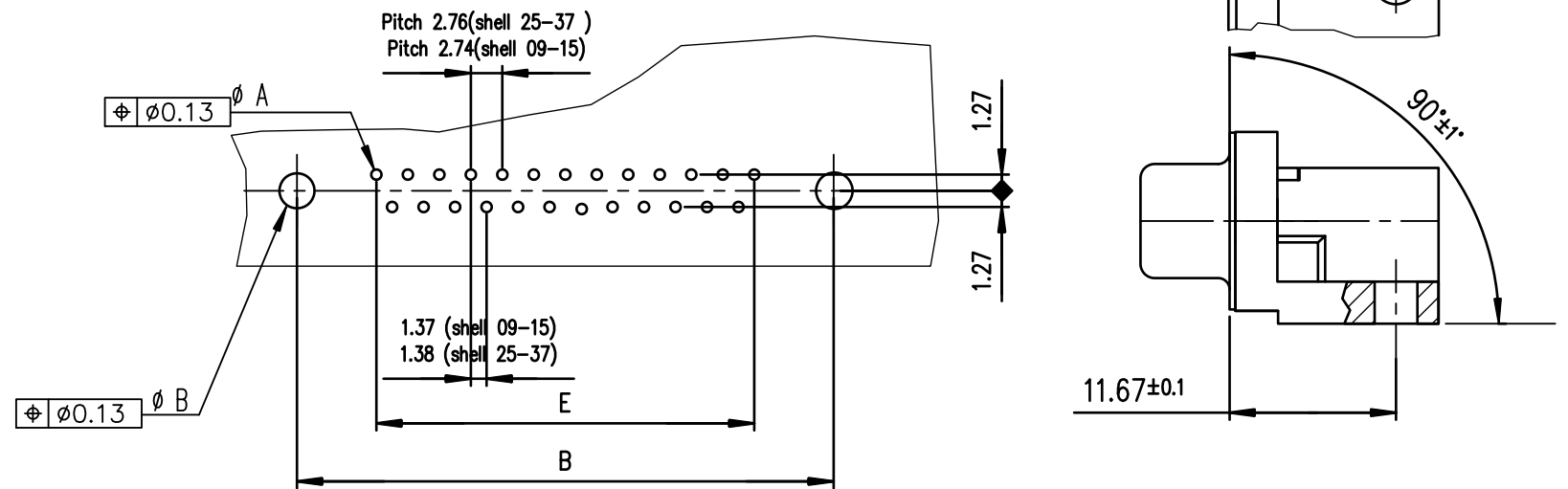


PC card drilling dimensions(after plating)  
(thickness 1.60 ±0.20 )



TIN LEAD PART NUMBER

| SHELL | A±0.38 | B±0.12 | C±0.10 | D±0.25 | E±0.07 | PART NUMBER       | PART NUMBER       |
|-------|--------|--------|--------|--------|--------|-------------------|-------------------|
| 09    | 30.81  | 24.99  | 18.00  | 16.21  | 10.96  | --                | --                |
| 15    | 39.14  | 33.32  | 26.32  | 24.54  | 19.18  | --                | --                |
| 25    | 53.03  | 47.04  | 40.04  | 38.25  | 33.12  | D25S81C4BA00      | D25S81C6BA00      |
| 37    | 69.32  | 63.50  | 56.50  | 54.71  | 49.68  | --                | --                |
|       |        |        |        |        |        | 200 Mating cycles | 500 Mating cycles |

LEAD FREE PART NUMBER

| SHELL | A±0.38 | B±0.12 | C±0.10 | D±0.25 | E±0.07 | PART NUMBER       | PART NUMBER       |
|-------|--------|--------|--------|--------|--------|-------------------|-------------------|
| 09    | 30.81  | 24.99  | 18.00  | 16.21  | 10.96  | --                | --                |
| 15    | 39.14  | 33.32  | 26.32  | 24.54  | 19.18  | --                | --                |
| 25    | 53.03  | 47.04  | 40.04  | 38.25  | 33.12  | D25S81C4BA00LF    | D25S81C6BA00LF    |
| 37    | 69.32  | 63.50  | 56.50  | 54.71  | 49.68  | --                | --                |
|       |        |        |        |        |        | 200 Mating cycles | 500 Mating cycles |

GENERAL CHARACTERISTICS AND ROHS INFORMATIONS:

SEE DRAWING C01-8646-0001

|             |  |                |  |                  |  |            |  |   |  |
|-------------|--|----------------|--|------------------|--|------------|--|---|--|
| mat'l. code |  | surface        |  | tolerance        |  | projection |  | product family  |  |
| -           |  | ISO 1302 ✓     |  | ISO 406 ISO 1101 |  |            |  | D-SUB   |  |
| ltr         |  | ecn no         |  | dr               |  | date       |  | title   |  |
| H           |  | ELX-I-18050    |  | MP               |  | 2014/06/23 |  | FEMALE CONNECTOR DELTA-D STD EUROPE<br>RIGHT ANGLED PRESS FIT |  |
|             |  |                |  |                  |  |            |  | scale 2:1   |  |
|             |  |                |  |                  |  |            |  | dwg no  |  |
|             |  |                |  |                  |  |            |  | sheet 1 of 1  |  |
|             |  |                |  |                  |  |            |  | size  |  |
|             |  |                |  |                  |  |            |  | A3  |  |
|             |  |                |  |                  |  |            |  | type  |  |
|             |  |                |  |                  |  |            |  | Product Customer Drawing                                      |  |
| sheet index |  | revision sheet |  | H                |  |            |  |   |  |
|             |  |                |  | 1                |  |            |  |   |  |