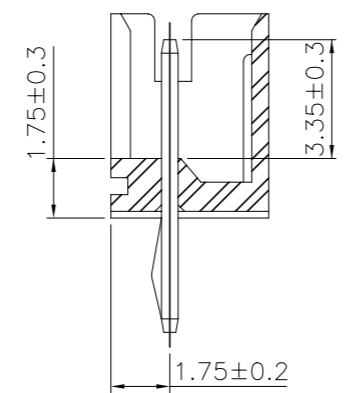
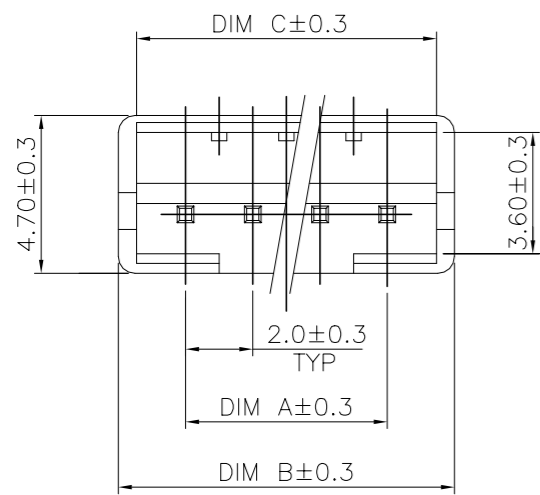
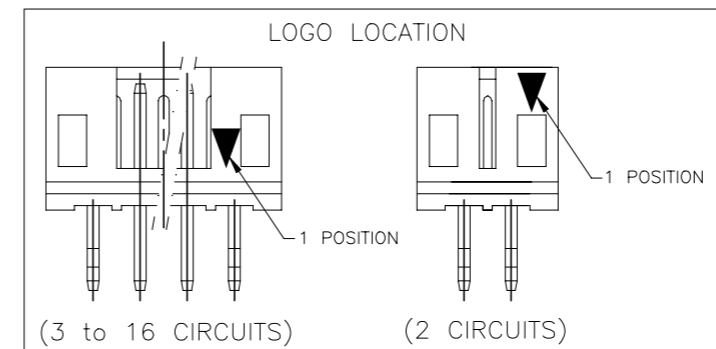
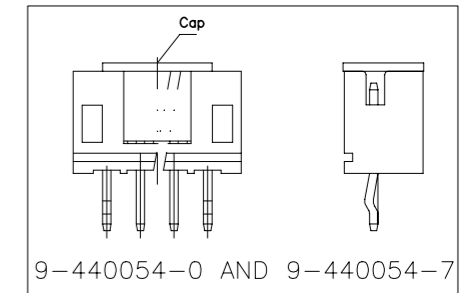


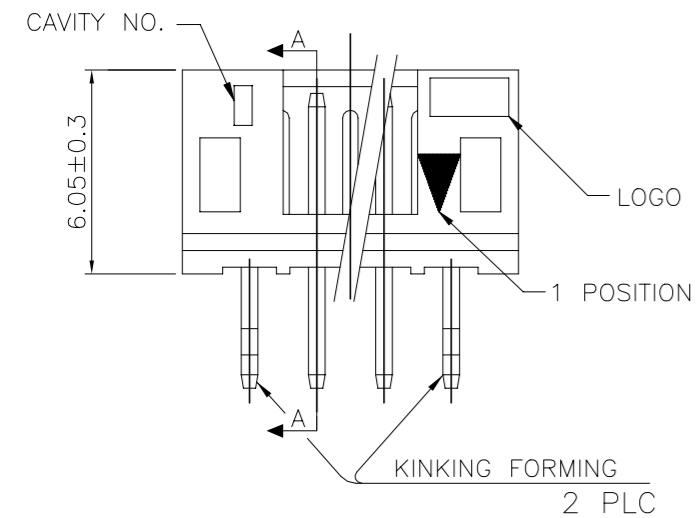
| | | | | |
|-----------|------|---------------|---------|-----|
| LOC DW | DIST | REVISIONS | | |
| P | LTR | DESCRIPTION | DATE | DWN |
| | F8 | ECR-20-004633 | 06APR20 | T.Q |
| | | | | W.H |



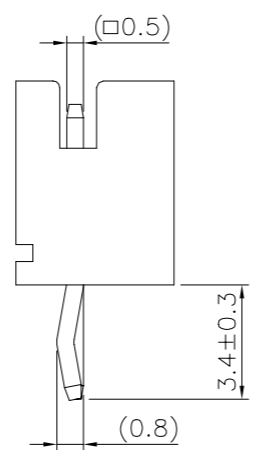
- NOTES:
 1. MATERIAL:
 HOUSING: NYLON 66, UL94V-0, COLOR: SEE TABLE.
 CONTACT: BRASS, THICKNESS=0.50mm.
 2. FINISH:
 2.03um[80u"] MIN. BRIGHT-TIN PLATING ON CONTACT.
 1.27um[50u"] MIN. NICKEL ENTIRE CONTACT UNDERPLATED.
 3. WAVE SOLDER SPEC REFER TO 108-57100.
 4. RAISED TYPE PN: 9-440054-2.



OBsolete
 OBsolete

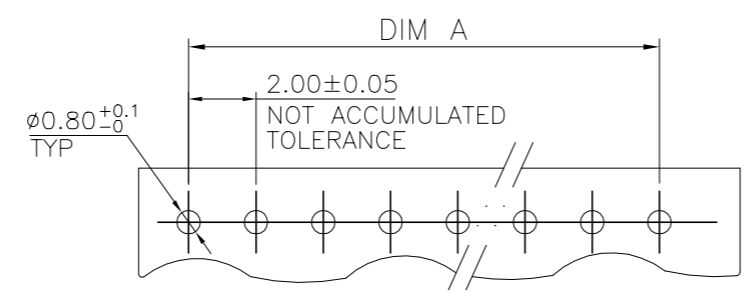


SEC. A-A



| | | | | | | |
|---------------|-------|-------|-------|------------|------------|------------|
| OBsolete | RED | 10.90 | 12.00 | 8.00 | 5P | 8-440054-9 |
| | | 8.90 | 10.00 | 6.00 | 4P | 8-440054-8 |
| 6.90 | | 8.00 | 4.00 | 3P | 8-440054-7 | |
| 4.90 | | 6.00 | 2.00 | 2P | 8-440054-6 | |
| BLACK | 10.90 | 12.00 | 8.00 | 5P | 6-440054-9 | |
| | 8.90 | 10.00 | 6.00 | 4P | 6-440054-8 | |
| | 6.90 | 8.00 | 4.00 | 3P | 6-440054-7 | |
| | 4.90 | 6.00 | 2.00 | 2P | 6-440054-6 | |
| YELLOW | 10.90 | 12.00 | 8.00 | 5P | 4-440054-9 | |
| | 8.90 | 10.00 | 6.00 | 4P | 4-440054-8 | |
| | 6.90 | 8.00 | 4.00 | 3P | 4-440054-7 | |
| | 4.90 | 6.00 | 2.00 | 2P | 4-440054-6 | |
| BLUE | 10.90 | 12.00 | 8.00 | 5P | 2-440054-9 | |
| | 8.90 | 10.00 | 6.00 | 4P | 2-440054-8 | |
| | 6.90 | 8.00 | 4.00 | 3P | 2-440054-7 | |
| | 4.90 | 6.00 | 2.00 | 2P | 2-440054-6 | |
| NATURAL WHITE | 32.90 | 34.00 | 30.00 | 16P | 5-440054-6 | |
| | 30.90 | 32.00 | 28.00 | 15P | 5-440054-5 | |
| | 28.90 | 30.00 | 26.00 | 14P | 5-440054-4 | |
| | 26.90 | 28.00 | 24.00 | 13P | 5-440054-3 | |
| | 24.90 | 26.00 | 22.00 | 12P | 5-440054-2 | |
| | 22.90 | 24.00 | 20.00 | 11P | 5-440054-1 | |
| | 20.90 | 22.00 | 18.00 | 10P | 5-440054-0 | |
| | 18.90 | 20.00 | 16.00 | 9P | 3-440054-9 | |
| | 16.90 | 18.00 | 14.00 | 8P | 3-440054-8 | |
| | 14.90 | 16.00 | 12.00 | 7P | 3-440054-7 | |
| | 12.90 | 14.00 | 10.00 | 6P | 3-440054-6 | |
| | 10.90 | 12.00 | 8.00 | 5P | 3-440054-5 | |
| 8.90 | 10.00 | 6.00 | 4P | 3-440054-4 | | |
| 6.90 | 8.00 | 4.00 | 3P | 3-440054-3 | | |
| 4.90 | 6.00 | 2.00 | 2P | 3-440054-2 | | |

| | | | | | | | |
|----------|---------------|---------------|-------|-------|------------|------------|------------|
| POLY BAG | NATURAL WHITE | 14.90 | 16.00 | 12.00 | 7P | 9-440054-7 | |
| | | 10.90 | 12.00 | 8.00 | 5P | 4-440054-1 | |
| | | 22.90 | 24.00 | 20.00 | 11P | 9-440054-3 | |
| | GREEN | 10.90 | 12.00 | 8.00 | 5P | 9-440054-6 | |
| | | 8.90 | 10.00 | 6.00 | 4P | 3-440054-1 | |
| | | 6.90 | 8.00 | 4.00 | 3P | 440054-1 | |
| | BLUE | 18.90 | 20.00 | 16.00 | 9P | 2-440054-1 | |
| | | 16.90 | 18.00 | 14.00 | 8P | 2-440054-0 | |
| | | 16.90 | 18.00 | 14.00 | 8P | 8-440054-0 | |
| | RED | 10.90 | 12.00 | 8.00 | 5P | 8-440054-5 | |
| | | 8.90 | 10.00 | 6.00 | 4P | 8-440054-4 | |
| | | 6.90 | 8.00 | 4.00 | 3P | 8-440054-3 | |
| BLACK | 10.90 | 12.00 | 8.00 | 5P | 6-440054-5 | | |
| | 8.90 | 10.00 | 6.00 | 4P | 6-440054-4 | | |
| | 6.90 | 8.00 | 4.00 | 3P | 6-440054-3 | | |
| POLY BAG | NATURAL WHITE | 24.90 | 26.00 | 22.00 | 12P | 7-440054-6 | |
| | | 22.90 | 24.00 | 20.00 | 11P | 7-440054-5 | |
| | | 20.90 | 22.00 | 18.00 | 10P | 7-440054-4 | |
| | YELLOW | 18.90 | 20.00 | 16.00 | 9P | 7-440054-3 | |
| | | 16.90 | 18.00 | 14.00 | 8P | 7-440054-2 | |
| | | 14.90 | 16.00 | 12.00 | 7P | 7-440054-1 | |
| | BLUE | 12.90 | 14.00 | 10.00 | 6P | 7-440054-0 | |
| | | 10.90 | 12.00 | 8.00 | 5P | 4-440054-5 | |
| | | 8.90 | 10.00 | 6.00 | 4P | 4-440054-4 | |
| | POLY BAG | NATURAL WHITE | 8.90 | 8.00 | 4.00 | 3P | 4-440054-3 |
| | | | 4.90 | 6.00 | 2.00 | 2P | 4-440054-2 |
| | | | 10.90 | 12.00 | 8.00 | 5P | 2-440054-9 |
| BLUE | | 8.90 | 10.00 | 6.00 | 4P | 2-440054-8 | |
| | | 6.90 | 8.00 | 4.00 | 3P | 2-440054-7 | |
| | | 4.90 | 6.00 | 2.00 | 2P | 2-440054-6 | |
| POLY BAG | | NATURAL WHITE | 20.90 | 22.00 | 18.00 | 10P | 9-440054-0 |
| | | | 18.90 | 20.00 | 16.00 | 9P | 440054-9 |
| | | | 16.90 | 18.00 | 14.00 | 8P | 440054-8 |
| | | YELLOW | 14.90 | 16.00 | 12.00 | 7P | 440054-7 |
| | | | 12.90 | 14.00 | 10.00 | 6P | 440054-6 |
| | | | 10.90 | 12.00 | 8.00 | 5P | 440054-5 |
| | BLUE | 8.90 | 10.00 | 6.00 | 4P | 440054-4 | |
| | | 6.90 | 8.00 | 4.00 | 3P | 440054-3 | |
| | | 4.90 | 6.00 | 2.00 | 2P | 440054-2 | |



RECOMMENDED PCB LAYOUT (PCB THK=1.0~1.6)

THIS DRAWING IS A CONTROLLED DOCUMENT.

| | | | |
|---|--|------------------------|--|
| DIMENSIONS: MM | TOLERANCES UNLESS OTHERWISE SPECIFIED: | DWN O. HU 16JUL2004 | TE Connectivity NAME 2.0 MM PITCH HPI VERTICAL POST HEADERS |
| 0 PLC ± - 1 PLC ± 0.3 2 PLC ± 0.2 3 PLC ± 0.15 4 PLC ± - ANGLES ± 3° | SEE NOTE | CHK S. HOU 16JUL2004 | |
| MATERIAL SEE NOTE | FINISH SEE NOTE | APVD W.J. KE 16JUL2004 | PRODUCT SPEC 108-57100 APPLICATION SPEC |
| | | WEIGHT - GRAMS | SIZE A3 CAGE CODE 00779 DRAWING NO C=440054 RESTRICTED TO |
| | | CUSTOMER DRAWING | SCALE - SHEET 1 OF 9 REV F8 |

4

3

2

1

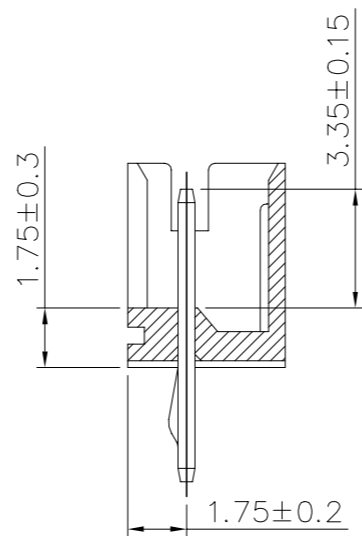
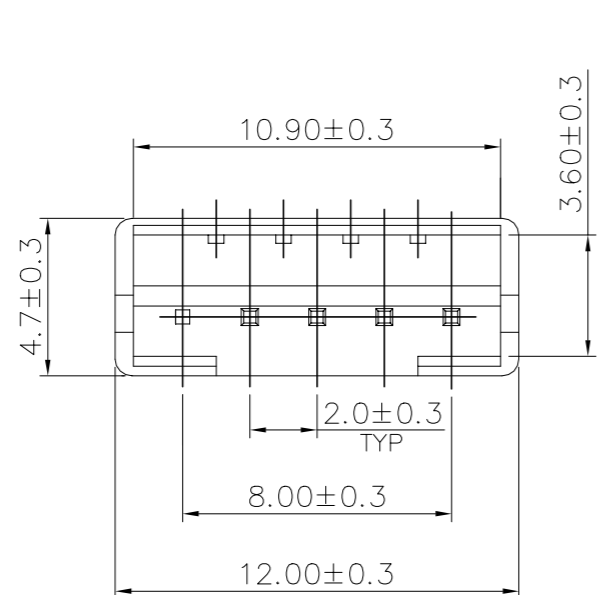
THIS DRAWING IS UNPUBLISHED. RELEASED FOR PUBLICATION AUG ,2006. ALL RIGHTS RESERVED.

© COPYRIGHT 2009 BY TYCO ELECTRONICS CORPORATION.

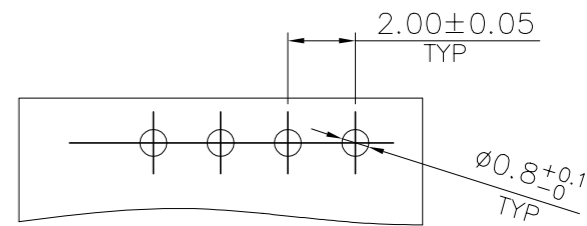
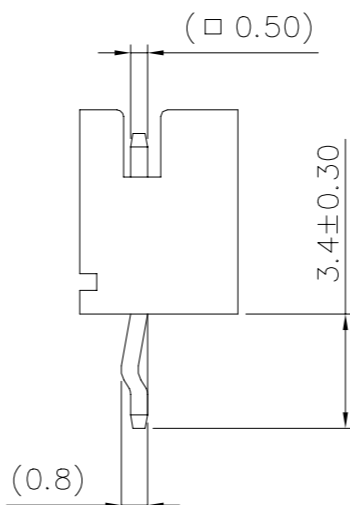
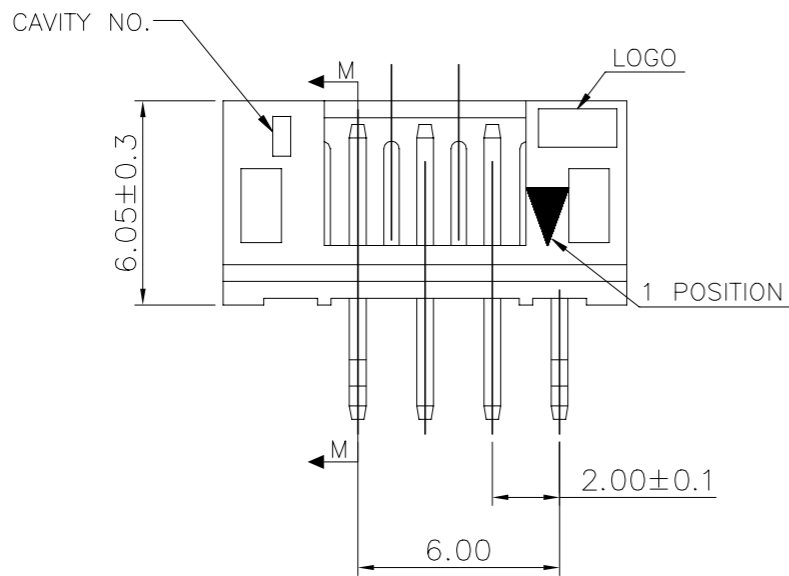
LOC DW DIST

REVISIONS

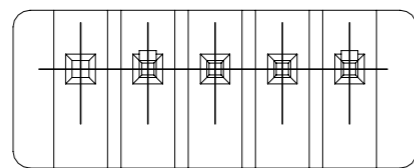
| P | LTR | DESCRIPTION | DATE | DWN | APVD |
|---|-----|--------------|------|-----|------|
| | | SEE SHEET 1. | | | |



SECTION M-M



RECOMMENDER PCB LAYOUT (PCB THK=1.0~1.6mm)



| | | | | |
|----------|---------------|-------------------|------|-------------|
| POLY BAG | NATURAL WHITE | PIN 5 | 4P | 9-440054-5 |
| PACKAGE | COLOR | PIN NUMBER LACKED | POS. | PART NUMBER |

| | | | | | |
|--|--------------------|------------------|--|-----------|------------|
| THIS DRAWING IS A CONTROLLED DOCUMENT. | | DWN | STE TE Connectivity | | |
| DIMENSIONS: MM | | CHK | | | |
| TOLERANCES UNLESS OTHERWISE SPECIFIED: | | APVD | NAME | | |
| 0 PLC ± - | | PRODUCT SPEC | 2.0 MM PITCH HPI VERTICAL POST HEADERS | | |
| 1 PLC ± 0.3 | | APPLICATION SPEC | SIZE | CAGE CODE | DRAWING NO |
| 2 PLC ± 0.2 | | WEIGHT | A3 | 00779 | C=440054 |
| 3 PLC ± 0.15 | | CUSTOMER DRAWING | RESTRICTED TO | | REV F8 |
| 4 PLC ± - | | SCALE | SHEET 2 OF 9 | | |
| ANGLES ± 3' | | | | | |
| MATERIAL | FINISH | | | | |
| SEE NOTE (PAGE 1.) | SEE NOTE (PAGE 1.) | | | | |

4

3

2

1

THIS DRAWING IS UNPUBLISHED.

RELEASED FOR PUBLICATION

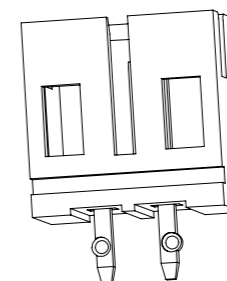
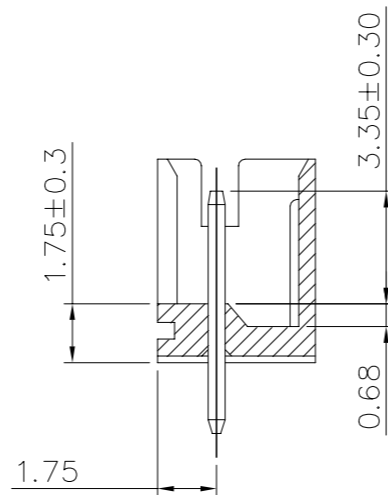
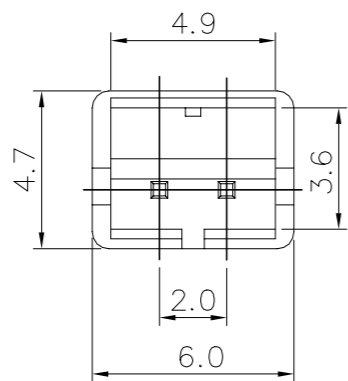
AUG ,2006.

© COPYRIGHT 2009 BY TYCO ELECTRONICS CORPORATION. ALL RIGHTS RESERVED.

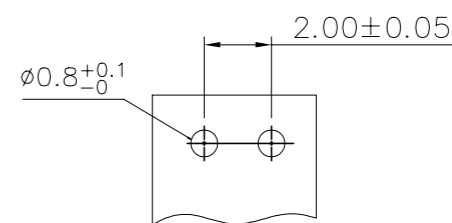
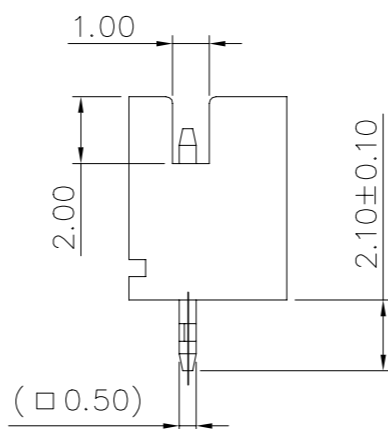
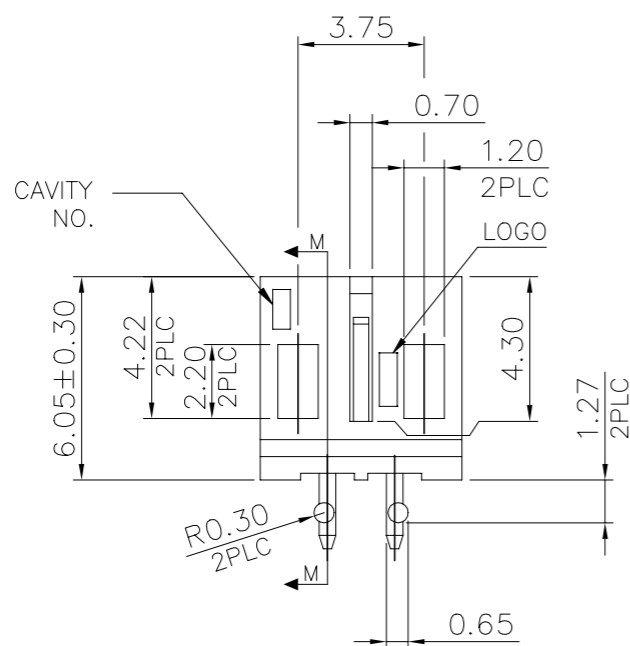
LOC DW DIST

REVISIONS

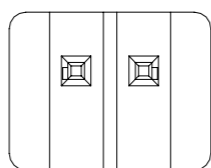
| P | LTR | DESCRIPTION | DATE | DWN | APVD |
|---|-----|--------------|------|-----|------|
| | | SEE SHEET 1. | | | |



SECTION M-M



RECOMMENDED PCB LAYOUT (PCB THK=1.0MM~1.6MM)



| | | | |
|----------|---------------|------|-------------|
| POLY BAG | NATURAL WHITE | 2P | 9-440054-2 |
| PACKAGE | COLOR | POS. | PART NUMBER |

| | | | | |
|--|--------------------|------------------|--|-----------|
| THIS DRAWING IS A CONTROLLED DOCUMENT. | | DWN | STE TE Connectivity | |
| DIMENSIONS: MM | | CHK | | |
| TOLERANCES UNLESS OTHERWISE SPECIFIED: | | APVD | NAME | |
| 0 PLC ± - | | PRODUCT SPEC | 2.0 MM PITCH HPI VERTICAL POST HEADERS | |
| 1 PLC ± 0.3 | | APPLICATION SPEC | SIZE | CAGE CODE |
| 2 PLC ± 0.2 | | WEIGHT | A3 | 00779 |
| 3 PLC ± 0.15 | | CUSTOMER DRAWING | DRAWING NO C=440054 | |
| 4 PLC ± - | | SCALE | RESTRICTED TO | |
| ANGLES ± 3' | | SHEET | REV | |
| MATERIAL | FINISH | 3 OF 9 | | F8 |
| SEE NOTE (PAGE 1.) | SEE NOTE (PAGE 1.) | | | |

4

3

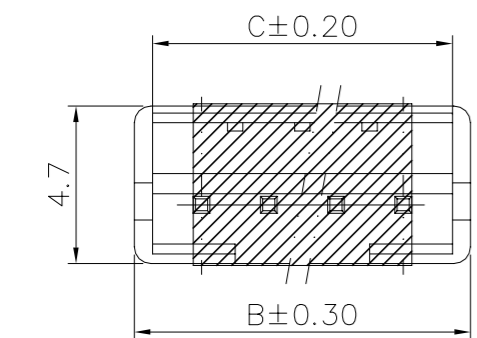
2

1

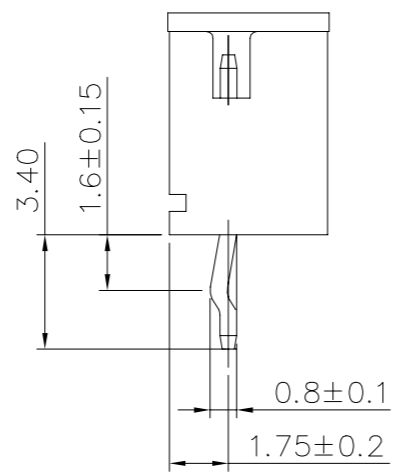
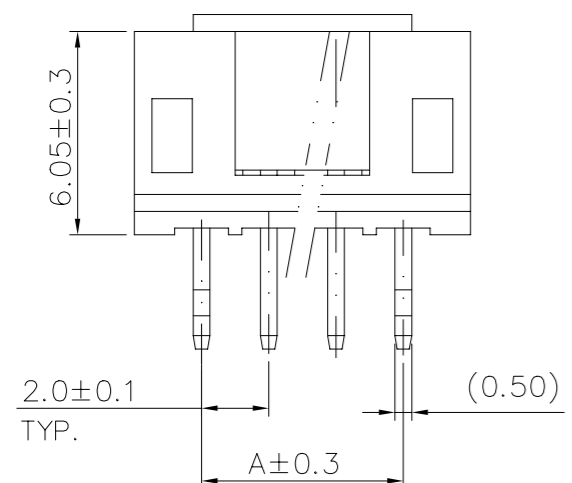
THIS DRAWING IS UNPUBLISHED. RELEASED FOR PUBLICATION AUG ,2006.

© COPYRIGHT 2009 BY TYCO ELECTRONICS CORPORATION. ALL RIGHTS RESERVED.

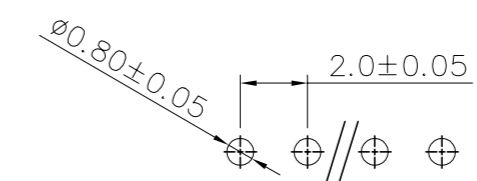
| LOC | DIST | REVISIONS | | | | | |
|-----|------|-----------|-----|--------------|------|-----|------|
| DW | | P | LTR | DESCRIPTION | DATE | DWN | APVD |
| | | | | SEE SHEET 1. | | | |



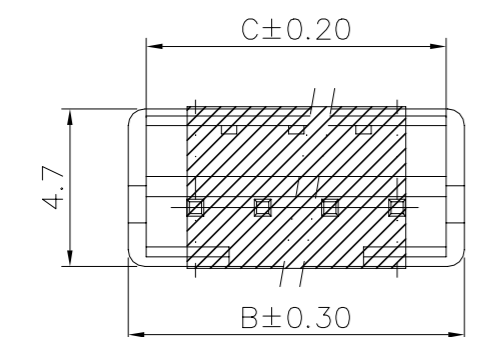
9-440054-1 & 9-440054-4



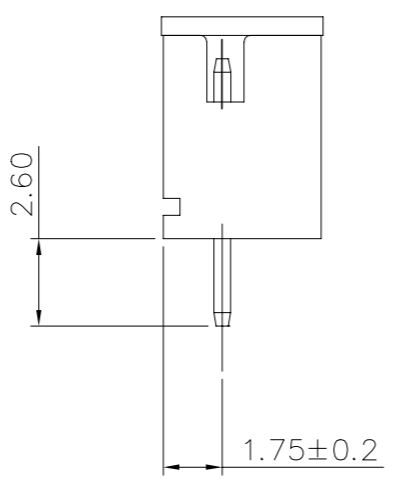
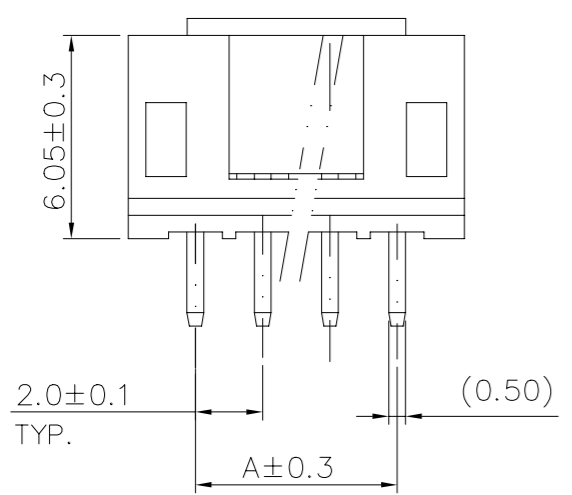
NOTES:
 1. MATERIAL:
 HOUSING: NYLON 6T, UL94V-0, COLOR: SEE TABLE.
 CONTACT: BRASS, THICKNESS=0.50mm.
 △ FINISH:
 2.03um[80u"] MIN. BRIGHT-TIN PLATING ON CONTACT.
 1.27um[50u"] MIN. NICKEL ENTIRE CONTACT UNDERPLATED.
 3. (SMT) REFLOW PROCESS NEED AFFORD 260°C.
 △ FINISH:
 0.762um[30u"] GOLD PLATING OVER ALL.
 1.27um[50u"] MIN. NICKEL ENTIRE CONTACT UNDERPLATED.



RECOMMENDED PCB LAYOUT (PCB THK=1.0MM~1.6MM)



8-440054-7 & 8-440054-6



| | | | | | | | | |
|--------|---------|-----------|---------------|-------|-------|-------|-----|-------------|
| △4 | WITH | TAPE REEL | NATURAL WHITE | 14.90 | 16.00 | 12.00 | 7P | 8-440054-7 |
| △4 | WITH | TAPE REEL | NATURAL WHITE | 8.90 | 10.00 | 6.00 | 4P | 8-440054-6 |
| △2 | WITHOUT | TAPE REEL | NATURAL WHITE | 8.90 | 10.00 | 6.00 | 4P | 9-440054-1 |
| △2 | WITH | TAPE REEL | NATURAL WHITE | 8.90 | 10.00 | 6.00 | 4P | 9-440054-4 |
| FINISH | CAP | PACKAGE | COLOR | DIM C | DIM B | DIM A | POS | PART NUMBER |

THIS DRAWING IS A CONTROLLED DOCUMENT.

| | | | | |
|---|--|------------------|--|---------------|
| DIMENSIONS: MM | TOLERANCES UNLESS OTHERWISE SPECIFIED: | DWN | TE Connectivity | |
| 0 PLC ± - 1 PLC ± 0.3 2 PLC ± 0.2 3 PLC ± 0.15 4 PLC ± - ANGLES ± 3° | SEE NOTE (PAGE 1.) | CHK | NAME | |
| MATERIAL | FINISH | APVD | 2.0 MM PITCH HPI VERTICAL POST HEADERS | |
| SEE NOTE (PAGE 1.) | SEE NOTE (PAGE 1.) | PRODUCT SPEC | SIZE | CAGE CODE |
| | | APPLICATION SPEC | A3 | 00779 |
| | | WEIGHT | DRAWING NO | RESTRICTED TO |
| | | CUSTOMER DRAWING | C=440054 | |
| | | SCALE | SHEET | REV |
| | | | 4 OF 9 | F8 |

THIS DRAWING IS UNPUBLISHED.

RELEASED FOR PUBLICATION

AUG ,2006.

© COPYRIGHT 2009 BY TYCO ELECTRONICS CORPORATION. ALL RIGHTS RESERVED.

LOC

DIST

REVISIONS

DW

P

LTR

DESCRIPTION

DATE

DWN

APVD

SEE SHEET 1.

POLY BAG

CARTON

340mm(L)X 470mm(W)X 178mm(H)
(FOR HEADER 2P~5P ONLY)

340mm(L)X 470mm(W)X 365mm(H)
(FOR HEADER 6P~16P ONLY)

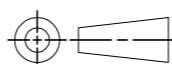
INEER BOX

320mm(L)X 220mm(W)X 155mm(H)

| | | | |
|-------------------|------------------|---------------|-----------------------|
| 17,600 | 550 | 5P | 4-440054-1 |
| 18,000 | 250 | 11P | 9-440054-3 |
| 20,800 | 650 | 4P | 3-440054-1 |
| 27,000 | 750 | 3P | 440054-1 |
| 17,600 | 550 | 5P | 8-440054-5 |
| 22,400 | 350 | 8P | 2-440054-0 |
| 22,400 | 350 | 8P | 8-440054-0 |
| 17,600 | 550 | 4P | 9-440054-5 |
| 40,000 | 1,000 | 2P | 9-440054-2 |
| 17,600 | 550 | 5P | 8-440054-5 |
| 20,800 | 650 | 4P | 8-440054-4 |
| 27,000 | 750 | 3P | 8-440054-3 |
| 40,000 | 1,000 | 2P | 8-440054-2 |
| 17,600 | 550 | 5P | 6-440054-5 |
| 20,800 | 650 | 4P | 6-440054-4 |
| 27,000 | 750 | 3P | 6-440054-3 |
| 40,000 | 1,000 | 2P | 6-440054-2 |
| 16,000 | 250 | 12P | 7-440054-6 |
| 18,000 | 250 | 11P | 7-440054-5 |
| 19,200 | 300 | 10P | 7-440054-4 |
| 22,400 | 350 | 9P | 7-440054-3 |
| 22,400 | 350 | 8P | 7-440054-2 |
| 25,600 | 400 | 7P | 7-440054-1 |
| 28,800 | 450 | 6P | 7-440054-0 |
| 17,600 | 550 | 5P | 4-440054-5 |
| 20,800 | 650 | 4P | 4-440054-4 |
| 27,000 | 750 | 3P | 4-440054-3 |
| 40,000 | 1,000 | 2P | 4-440054-2 |
| 17,600 | 550 | 5P | 2-440054-5 |
| 20,800 | 650 | 4P | 2-440054-4 |
| 27,000 | 750 | 3P | 2-440054-3 |
| 40,000 | 1,000 | 2P | 2-440054-2 |
| 12,000 | 200 | 16P | 1-440054-6 |
| 12,000 | 200 | 15P | 1-440054-5 |
| 12,800 | 200 | 14P | 1-440054-4 |
| 15,000 | 250 | 13P | 1-440054-3 |
| 16,000 | 250 | 12P | 1-440054-2 |
| 18,000 | 250 | 11P | 1-440054-1 |
| 19,200 | 300 | 10P | 1-440054-0 |
| 22,400 | 350 | 9P | 440054-9 |
| 22,400 | 350 | 8P | 440054-8 |
| 25,600 | 400 | 7P | 440054-7 |
| 28,800 | 450 | 6P | 440054-6 |
| 17,600 | 550 | 5P | 440054-5 |
| 20,800 | 650 | 4P | 440054-4 |
| 27,000 | 750 | 3P | 440054-3 |
| 40,000 | 1,000 | 2P | 440054-2 |
| APQ | PPQ | POS. | PART NUMBER |
| (PCS/CARTON) | (PCS/BAG) | | |

THIS DRAWING IS A CONTROLLED DOCUMENT.

DIMENSIONS:
MM



TOLERANCES UNLESS OTHERWISE SPECIFIED:

| | |
|--------|-----|
| 0 PLC | ± - |
| 1 PLC | ± - |
| 2 PLC | ± - |
| 3 PLC | ± - |
| 4 PLC | ± - |
| ANGLES | ± - |

MATERIAL

FINISH

DWN

CHK

APVD

PRODUCT SPEC

APPLICATION SPEC

WEIGHT

CUSTOMER DRAWING



TE Connectivity

NAME

2.0 MM PITCH HPI VERTICAL POST HEADERS

SIZE

CAGE CODE

DRAWING NO

RESTRICTED TO

A3

00779

C=440054

SCALE

SHEET

5 OF 9

REV F8

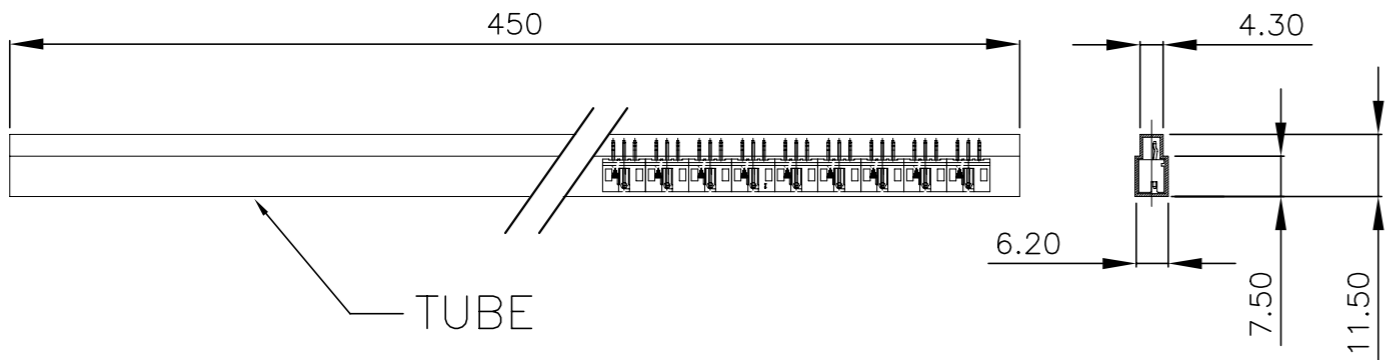
THIS DRAWING IS UNPUBLISHED. RELEASED FOR PUBLICATION AUG ,2006.

© COPYRIGHT 2009 BY TYCO ELECTRONICS CORPORATION. ALL RIGHTS RESERVED.

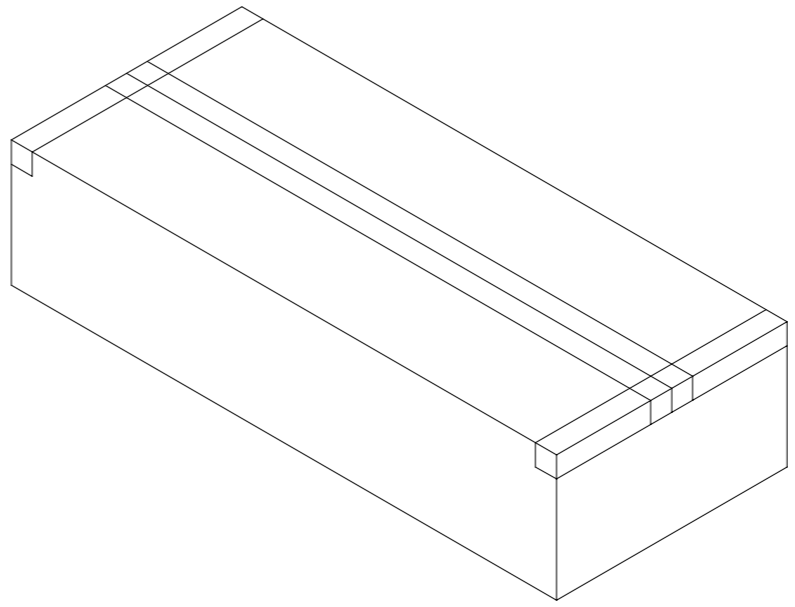
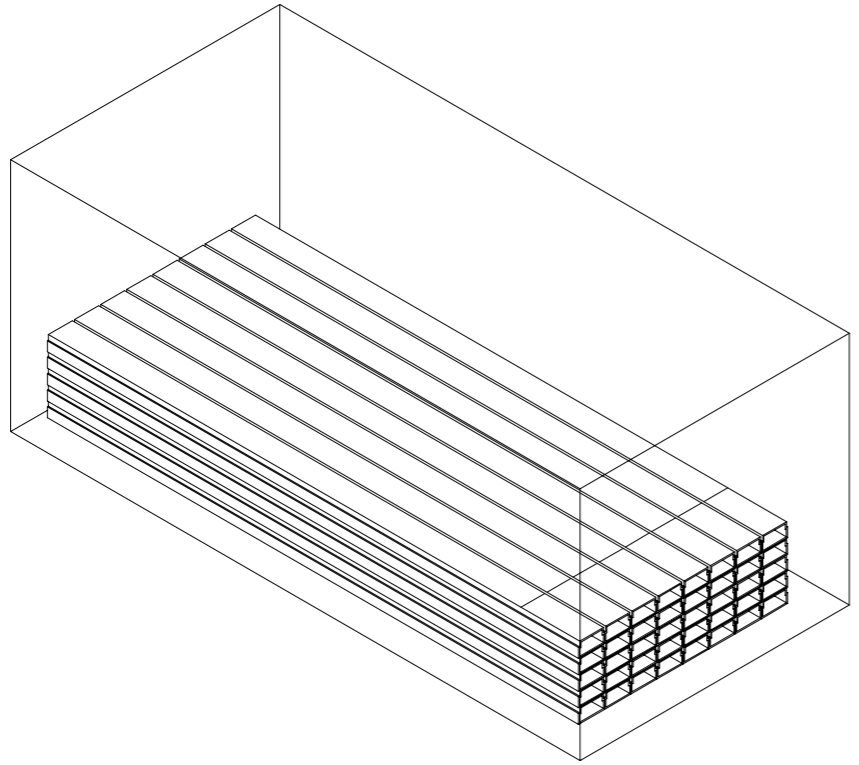
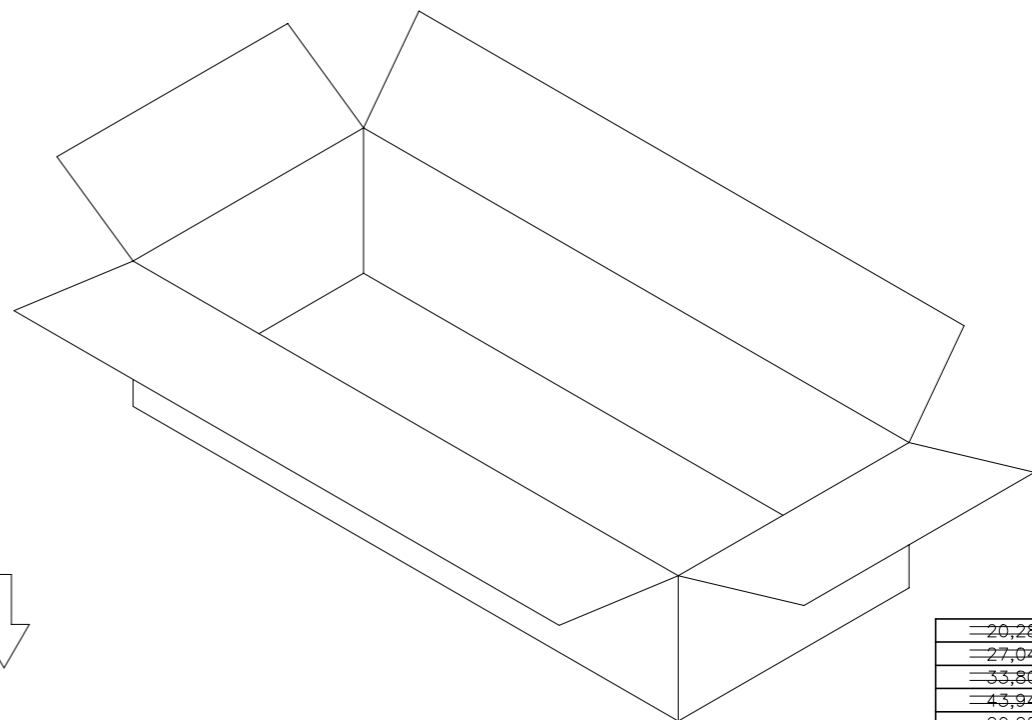
LOC DW DIST

REVISIONS

| P | LTR | DESCRIPTION | DATE | DWN | APVD |
|---|-----|--------------|------|-----|------|
| | | SEE SHEET 1. | | | |



CARTON 470 mm(L)X 340mm(W)X 178mm(H)



| | | | |
|---------------------|-------------------|------|-------------|
| 20,280 | 30 | 5P | 8-440054-9 |
| 27,040 | 40 | 4P | 8-440054-8 |
| 33,800 | 50 | 3P | 8-440054-7 |
| 43,940 | 65 | 2P | 8-440054-6 |
| 20,280 | 30 | 5P | 6-440054-9 |
| 27,040 | 40 | 4P | 6-440054-8 |
| 33,800 | 50 | 3P | 6-440054-7 |
| 43,940 | 65 | 2P | 6-440054-6 |
| 20,280 | 30 | 5P | 4-440054-9 |
| 27,040 | 40 | 4P | 4-440054-8 |
| 33,800 | 50 | 3P | 4-440054-7 |
| 43,940 | 65 | 2P | 4-440054-6 |
| 20,280 | 30 | 5P | 2-440054-9 |
| 27,040 | 40 | 4P | 2-440054-8 |
| 33,800 | 50 | 3P | 2-440054-7 |
| 43,940 | 65 | 2P | 2-440054-6 |
| 6,760 | 10 | 16P | 5-440054-6 |
| 8,112 | 12 | 15P | 5-440054-5 |
| 8,112 | 12 | 14P | 5-440054-4 |
| 8,788 | 13 | 13P | 5-440054-3 |
| 10,140 | 15 | 12P | 5-440054-2 |
| 10,816 | 16 | 11P | 5-440054-1 |
| 12,168 | 18 | 10P | 5-440054-0 |
| 13,520 | 20 | 9P | 3-440054-9 |
| 14,872 | 22 | 8P | 3-440054-8 |
| 16,900 | 25 | 7P | 3-440054-7 |
| 18,928 | 28 | 6P | 3-440054-6 |
| 20,280 | 30 | 5P | 3-440054-5 |
| 27,040 | 40 | 4P | 3-440054-4 |
| 33,800 | 50 | 3P | 3-440054-3 |
| 43,940 | 65 | 2P | 3-440054-2 |
| APQ (PCS/CARTON) | PPQ (PCS/TUBE) | POS. | PART NUMBER |

THIS DRAWING IS A CONTROLLED DOCUMENT.

| DIMENSIONS: | TOLERANCES UNLESS OTHERWISE SPECIFIED: |
|-------------|--|
| MM | |
| 0 PLC | ± - |
| 1 PLC | ± - |
| 2 PLC | ± - |
| 3 PLC | ± - |
| 4 PLC | ± - |
| ANGLES | ± - |

MATERIAL FINISH

| |
|------------------|
| DWN |
| CHK |
| APVD |
| PRODUCT SPEC |
| APPLICATION SPEC |
| WEIGHT |
| CUSTOMER DRAWING |



| | | | |
|--|-----------|------------|---------------|
| NAME | | | |
| 2.0 MM PITCH HPI VERTICAL POST HEADERS | | | |
| SIZE | CAGE CODE | DRAWING NO | RESTRICTED TO |
| A3 | 00779 | C=440054 | |
| SCALE | SHEET | REV | |
| | 6 OF 9 | F8 | |

4

3

2

1

THIS DRAWING IS UNPUBLISHED.

RELEASED FOR PUBLICATION

AUG ,2006.

© COPYRIGHT 2009 BY TYCO ELECTRONICS CORPORATION. ALL RIGHTS RESERVED.

LOC

DIST

REVISIONS

DW

P

LTR

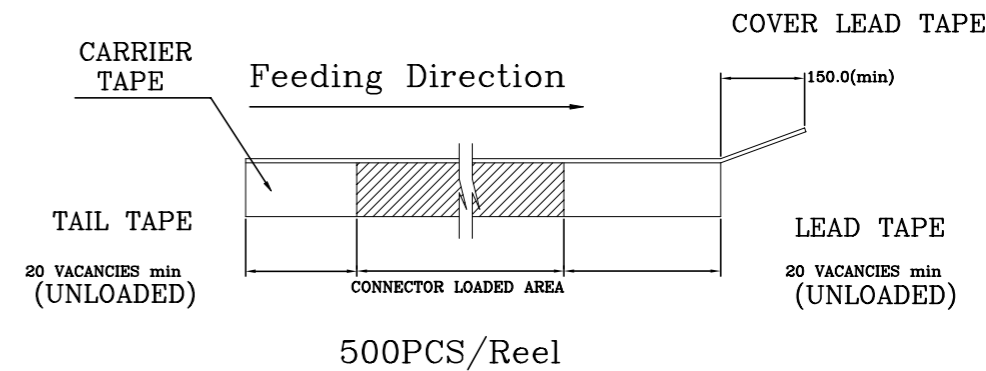
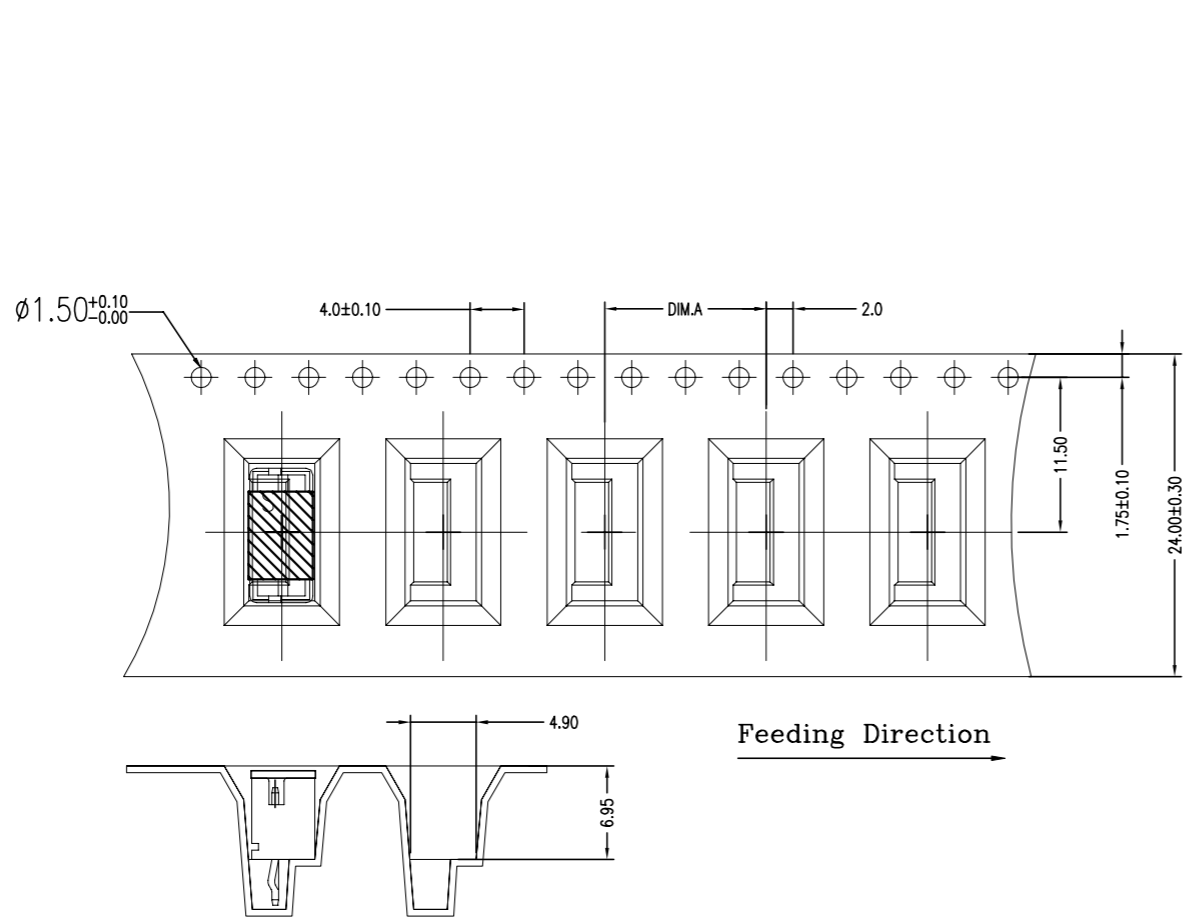
DESCRIPTION

DATE

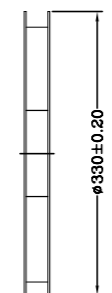
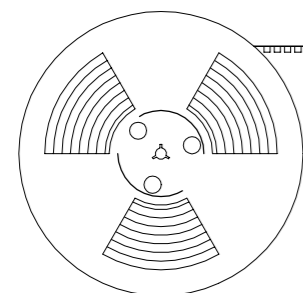
DWN

APVD


SEE SHEET 1.



Feeding Direction



| | | | | | |
|-------|------|---------------------|-------------------|------|-------------|
| 12.0 | WITH | 2000 | 500 | 4P | 8-440054-6 |
| 12.0 | WITH | 2000 | 500 | 4P | 9-440054-4 |
| DIM.A | CAP | APQ (PCS/CARTON) | PPQ (PCS/REEL) | POS. | PART NUMBER |

| | | | | | |
|--|--|------------------|--|--|--|
| THIS DRAWING IS A CONTROLLED DOCUMENT. | | DWN | |  TE Connectivity | |
| DIMENSIONS: MM | | CHK | | | |
| TOLERANCES UNLESS OTHERWISE SPECIFIED: | | APVD | | NAME | |
| 0 PLC ± - | | PRODUCT SPEC | | 2.0 MM PITCH HPI VERTICAL POST HEADERS | |
| 1 PLC ± - | | APPLICATION SPEC | | SIZE | |
| 2 PLC ± - | | WEIGHT | | CAGE CODE | |
| 3 PLC ± - | | CUSTOMER DRAWING | | DRAWING NO | |
| 4 PLC ± - | | SCALE | | RESTRICTED TO | |
| ANGLES ± - | | SHEET | | REV | |
| MATERIAL | | 7 of 9 | | F8 | |
| FINISH | | - | | - | |

4

3

2

1

THIS DRAWING IS UNPUBLISHED.

RELEASED FOR PUBLICATION

AUG ,2006.

© COPYRIGHT 2009 BY TYCO ELECTRONICS CORPORATION. ALL RIGHTS RESERVED.

LOC

DIST

REVISIONS

DW

P

LTR

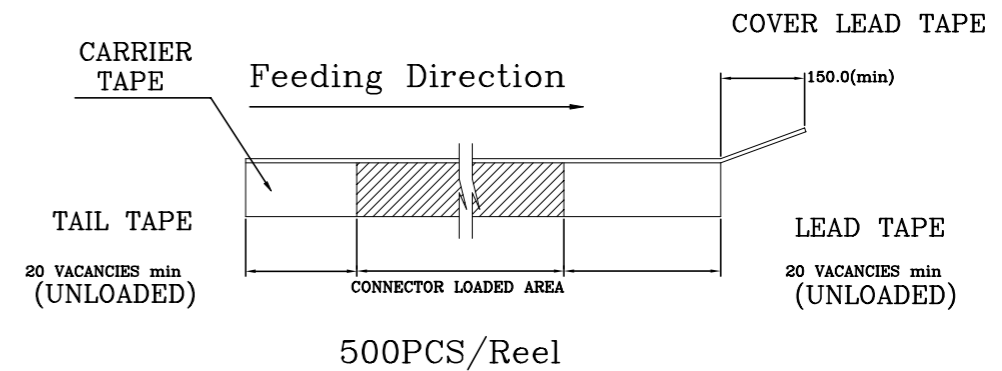
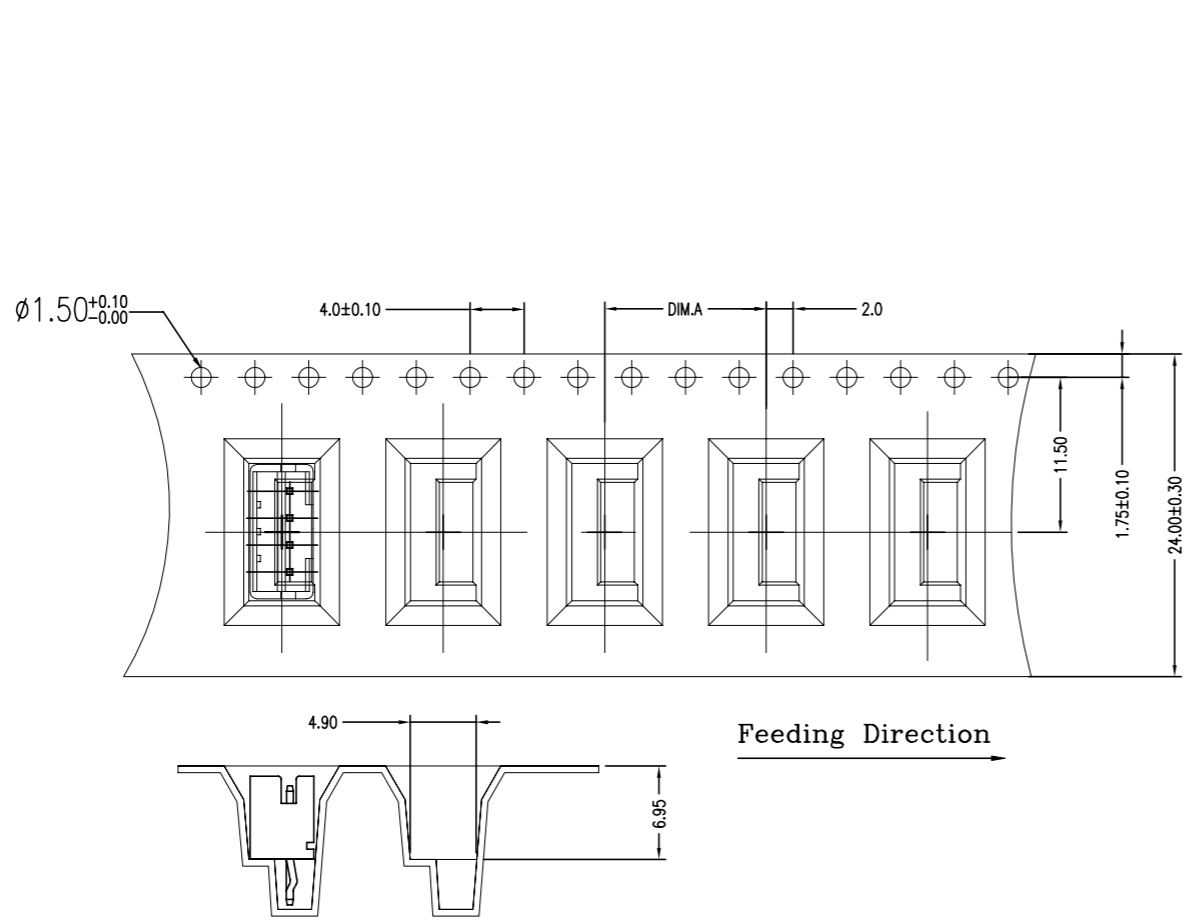
DESCRIPTION

DATE

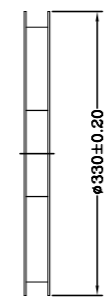
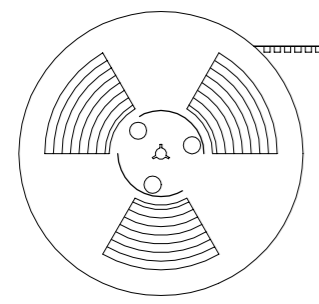
DWN

APVD

SEE SHEET 1.



Feeding Direction



| | | | | | |
|-------|---------|---------------------|-------------------|------|-------------|
| 16.0 | WITHOUT | 1800 | 450 | 4P | 9-440054-1 |
| DIM.A | CAP | APQ (PCS/CARTON) | PPQ (PCS/REEL) | POS. | PART NUMBER |

| | | | | | |
|--|--|------------------|--|---|--|
| THIS DRAWING IS A CONTROLLED DOCUMENT. | | DWN | | STE TE Connectivity | |
| DIMENSIONS: MM | | CHK | | | |
| TOLERANCES UNLESS OTHERWISE SPECIFIED: | | APVD | | NAME | |
| 0 PLC ± - | | PRODUCT SPEC | | 2.0 MM PITCH HPI VERTICAL POST HEADERS | |
| 1 PLC ± - | | APPLICATION SPEC | | SIZE CAGE CODE DRAWING NO RESTRICTED TO | |
| 2 PLC ± - | | WEIGHT | | A3 00779 C=440054 | |
| 3 PLC ± - | | CUSTOMER DRAWING | | SCALE SHEET 8 of 9 REV F8 | |
| 4 PLC ± - | | | | | |
| ANGLES ± - | | | | | |
| MATERIAL | | FINISH | | | |

4

3

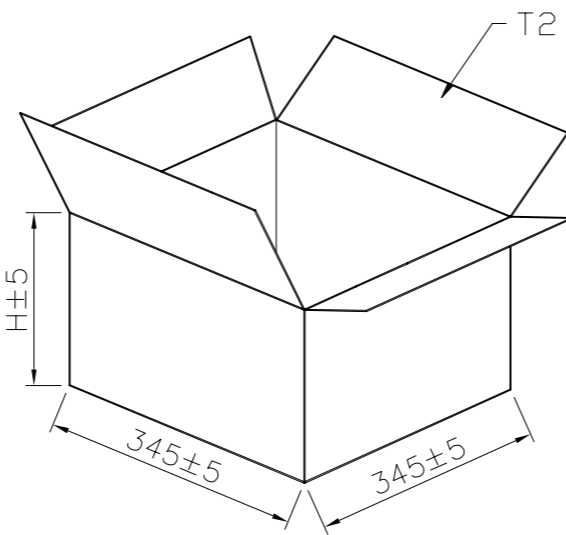
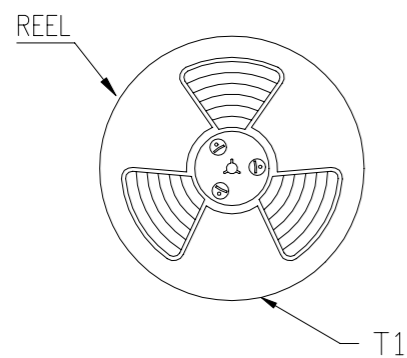
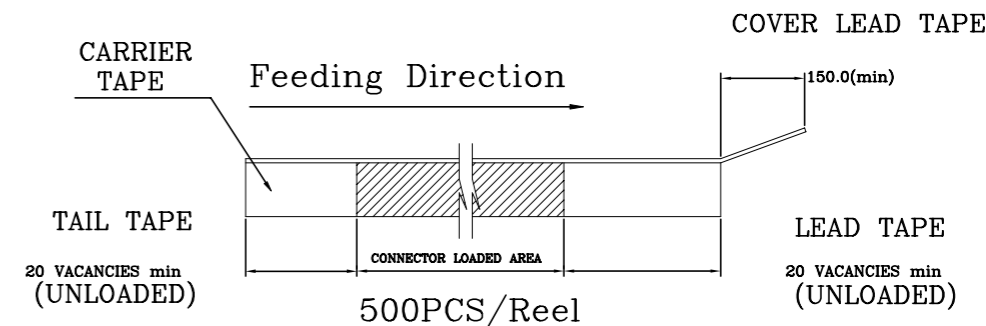
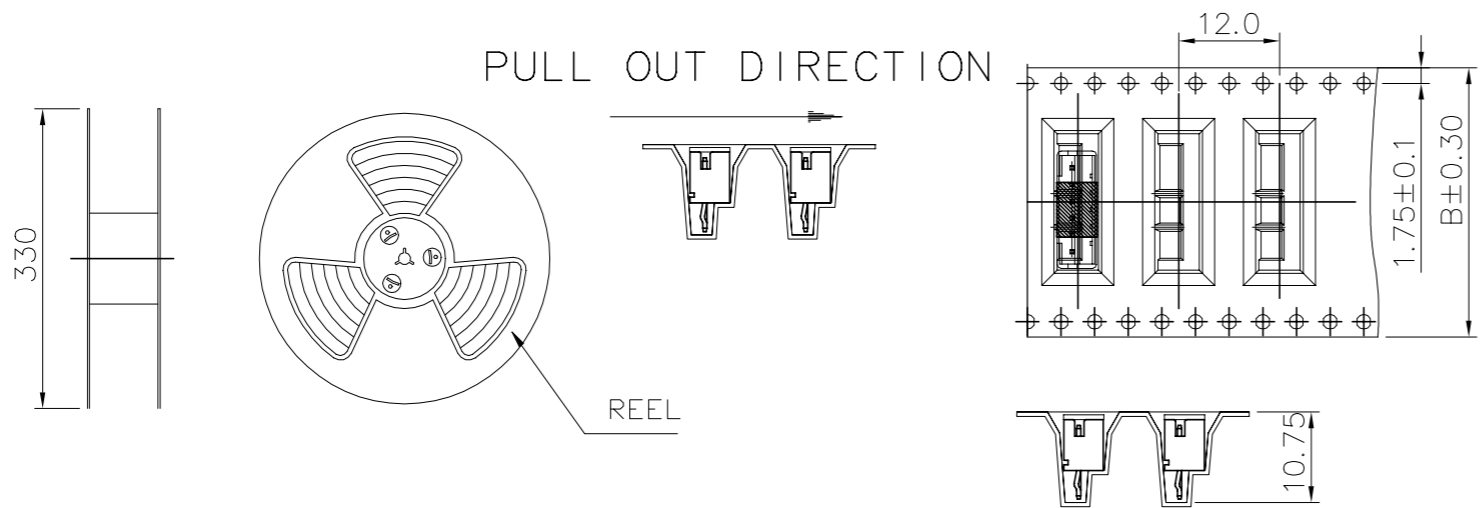
2

1

THIS DRAWING IS UNPUBLISHED. RELEASED FOR PUBLICATION AUG ,2006.

© COPYRIGHT 2009 BY TYCO ELECTRONICS CORPORATION. ALL RIGHTS RESERVED.

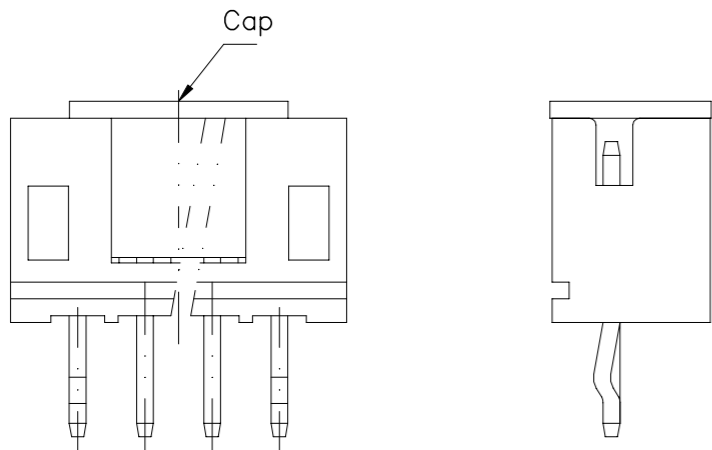
| LOC | DIST | REVISIONS | | | | | |
|-----|------|-----------|-----|--------------|------|-----|------|
| DW | | P | LTR | DESCRIPTION | DATE | DWN | APVD |
| | | | | SEE SHEET 1. | | | |



| H(mm) | POS | B(mm) | PCS./REEL | PCS/CARTON-T2 |
|-------|-----|-------|-----------|----------------|
| 225 | 10P | 44 | 500 PCS. | 500X4=2000PCS. |
| 125 | 7P | 32 | 500 PCS. | 500X3=1500PCS. |

NOTE:
 9-440054-0 10POS WAVE SOLDER PART CAP TYPE.
 8-/9-440054-7 7POS WAVE SOLDER PART CAP TYPE.

| | | | | |
|-------|---------------------|-------------------|------|-------------|
| 32.0 | 1500 | 500 | 7P | 8-440054-7 |
| 32.0 | 1500 | 500 | 7P | 9-440054-7 |
| 44.0 | 2000 | 500 | 10P | 9-440054-0 |
| B(mm) | APQ (PCS/CARTON) | PPQ (PCS/REEL) | POS. | PART NUMBER |



THIS DRAWING IS A CONTROLLED DOCUMENT.

| | | | | |
|-------------------|---|--|---|---------------------|
| DIMENSIONS: MM | TOLERANCES UNLESS OTHERWISE SPECIFIED: 0 PLC ± - 1 PLC ± - 2 PLC ± - 3 PLC ± - 4 PLC ± - ANGLES ± - | DWN CHK APVD PRODUCT SPEC APPLICATION SPEC WEIGHT | TE Connectivity NAME 2.0 MM PITCH HPI VERTICAL POST HEADERS | |
| MATERIAL | FINISH | CUSTOMER DRAWING | SIZE A3 | CAGE CODE 00779 |
| | | | DRAWING NO C=440054 | RESTRICTED TO |
| | | | SCALE | SHEET 9 of 9 REV F8 |