

MATERIALS AND FINISHES:

BODY, CONTACT: BRASS  
 PLATED: GOLD (8μ-in MIN) OVER.  
 NICKEL PHOSPHOR (80μ-in MIN).

INSULATOR: LIQUID CRYSTAL POLYMER  
 / PTFE.

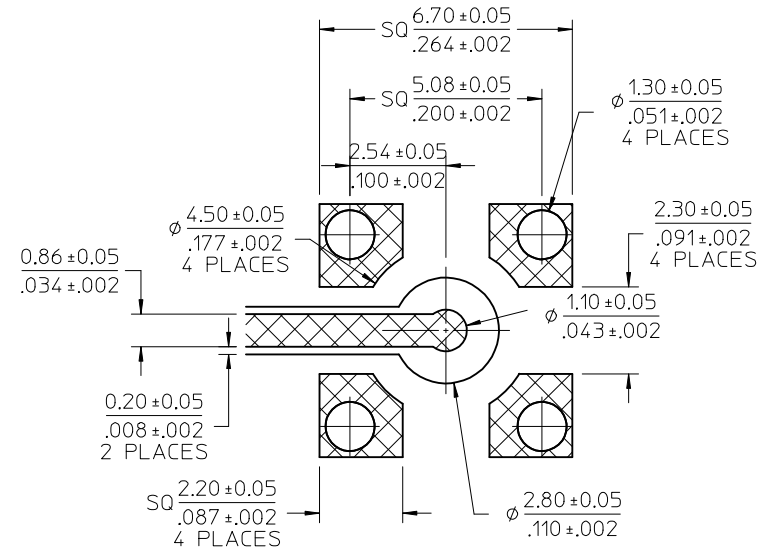
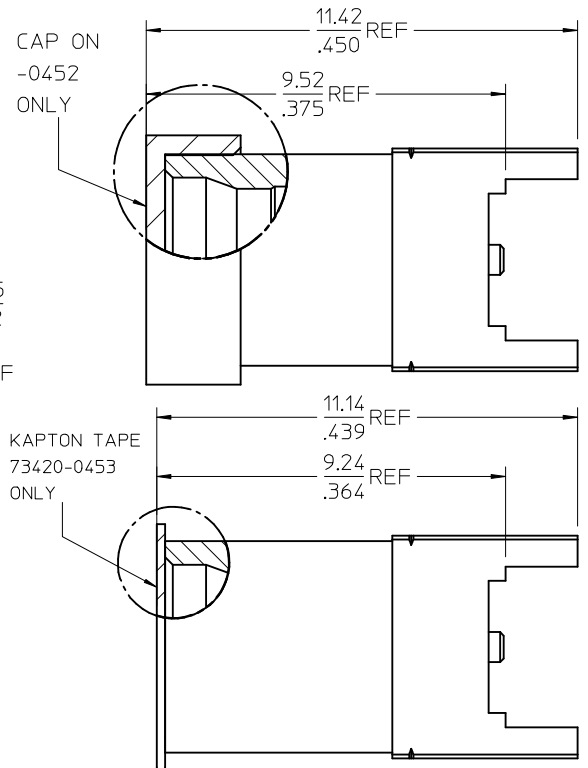
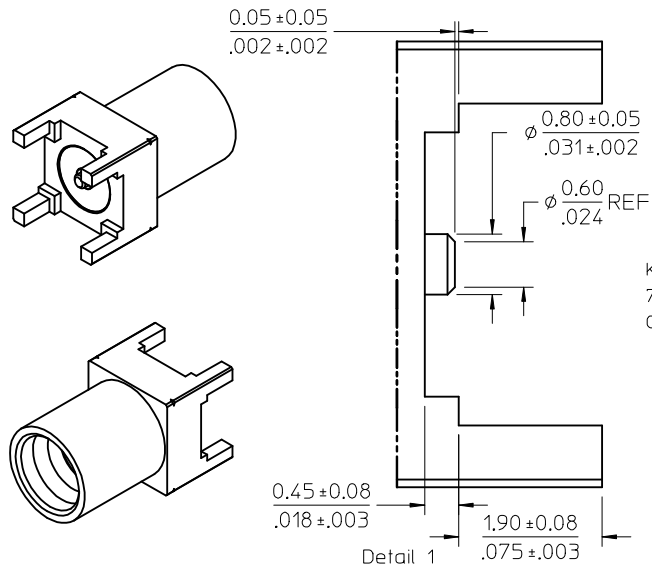
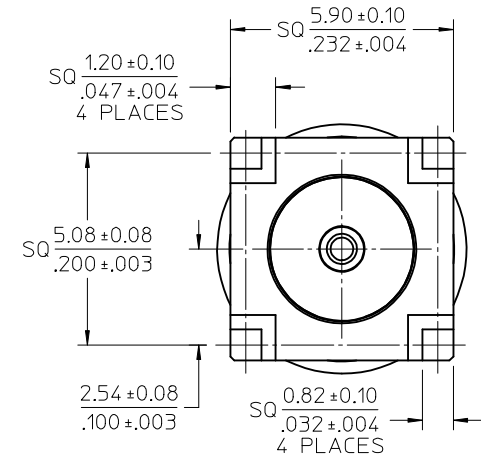
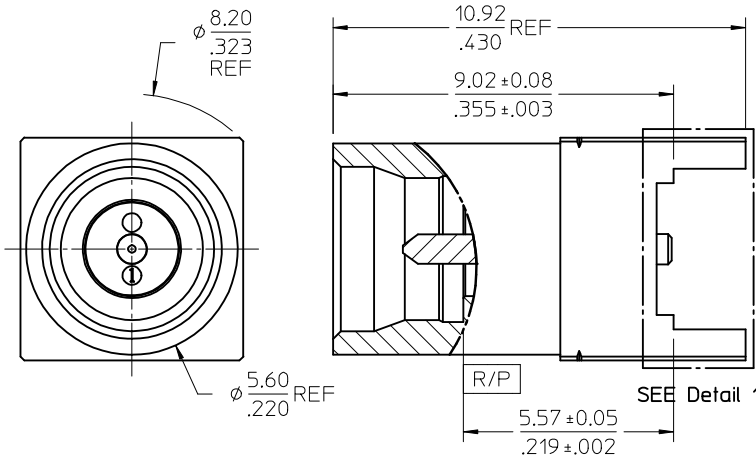
CAP: PTFE (ON -0452 ONLY).

KAPTON TAPE DOT: POLYIMIDE FILM  
 COLOR: BLACK (ON -0453 ONLY).

ELECTRICAL

1.07 / -30 dB	1.12 / -25 dB
DC - 4 GHz	4 - 6 GHz
VSWR / RL	

NOTE: ABOVE DATA ARE FOR INDIVIDUAL CONNECTOR



RECOMMENDED PCB LAYOUT  
 DESIGN FOR 50 OHM LINE

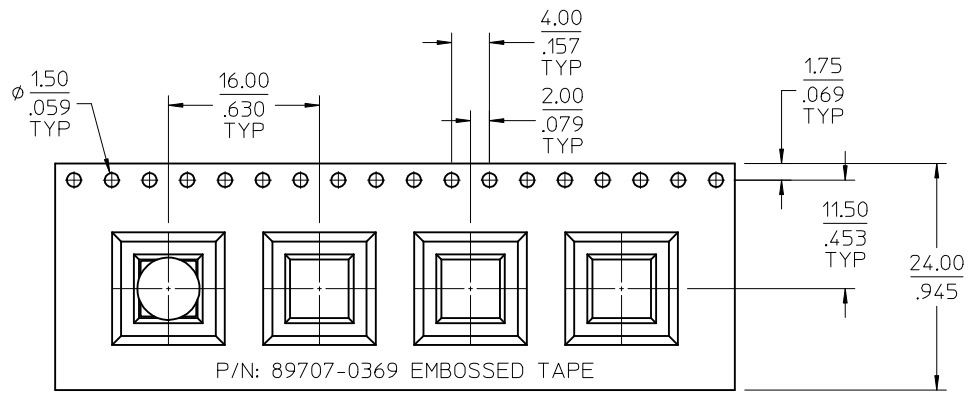
73420-0453	T&R W/KAPTON	350
73420-0452	T&R W/CAP	350
73420-0451	TRAY	80
73420-0450	SINGLE PC	1
PART NO	PACKAGING	QTY

PS-89675-3760	ELEC/MECH PERFORMANCE
SPECIFICATION	DESCRIPTION

CHG: ADDED ELECTRICAL SPEC EC NO: URF2017-0412 DRW: BSHAH 2017/06/08 CHKD: SSS 2017/06/08 APPR: ROBERTSON 2017/06/17	QUALITY SYMBOLS	DESCRIPTION
	▽=0	
	▽=0	
	▽=0	
REV	B5	

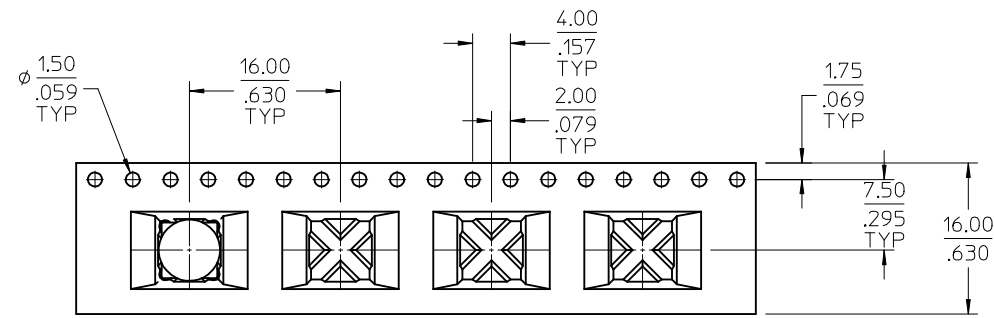
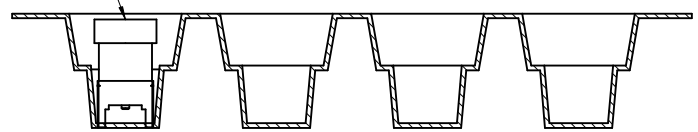
GENERAL TOLERANCES (UNLESS SPECIFIED)	MM	INCH
4 PLACES	± .005	± .0004
3 PLACES	± .004	± .0003
2 PLACES	± .003	± .0002
1 PLACE	± .002	± .0001
0 PLACE	± .001	± .0000
ANGULAR ± 2 °		
DRAFT WHERE APPLICABLE MUST REMAIN WITHIN DIMENSIONS		

DIMENSION STYLE		SCALE	DESIGN UNITS	THIRD ANGLE PROJECTION
MM/IN			METRIC	
DRAWN BY	DATE	TITLE		
SSHAH	2011/04/14	SMP-MAX P MALE DETENT		
CHECKED BY	DATE	PCB TH SMT SIGNAL		
SSS	2011/10/03	EWR-10999, SMPMAX-P/PCB		
APPROVED BY	DATE	<b>molex</b> DOCUMENT NO. SD-73420-045 SHEET NO. 1 OF 4		
JWIENER	2011/10/03			
MATERIAL NO.	SIZE	THIS DRAWING CONTAINS INFORMATION THAT IS PROPRIETARY TO MOLEX INCORPORATED AND SHOULD NOT BE USED WITHOUT WRITTEN PERMISSION		
	C			



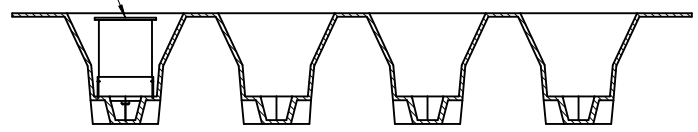
CAP FOR  
-0452 ONLY

FOR -0452 ONLY

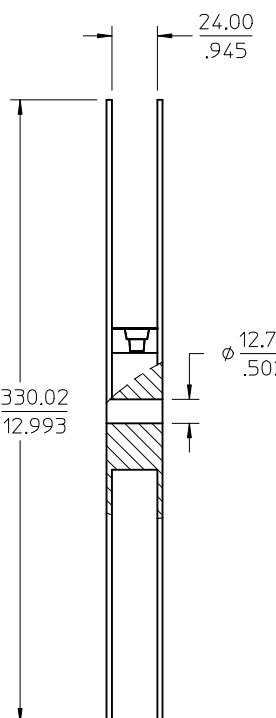


KAPTON FOR  
-0453 ONLY

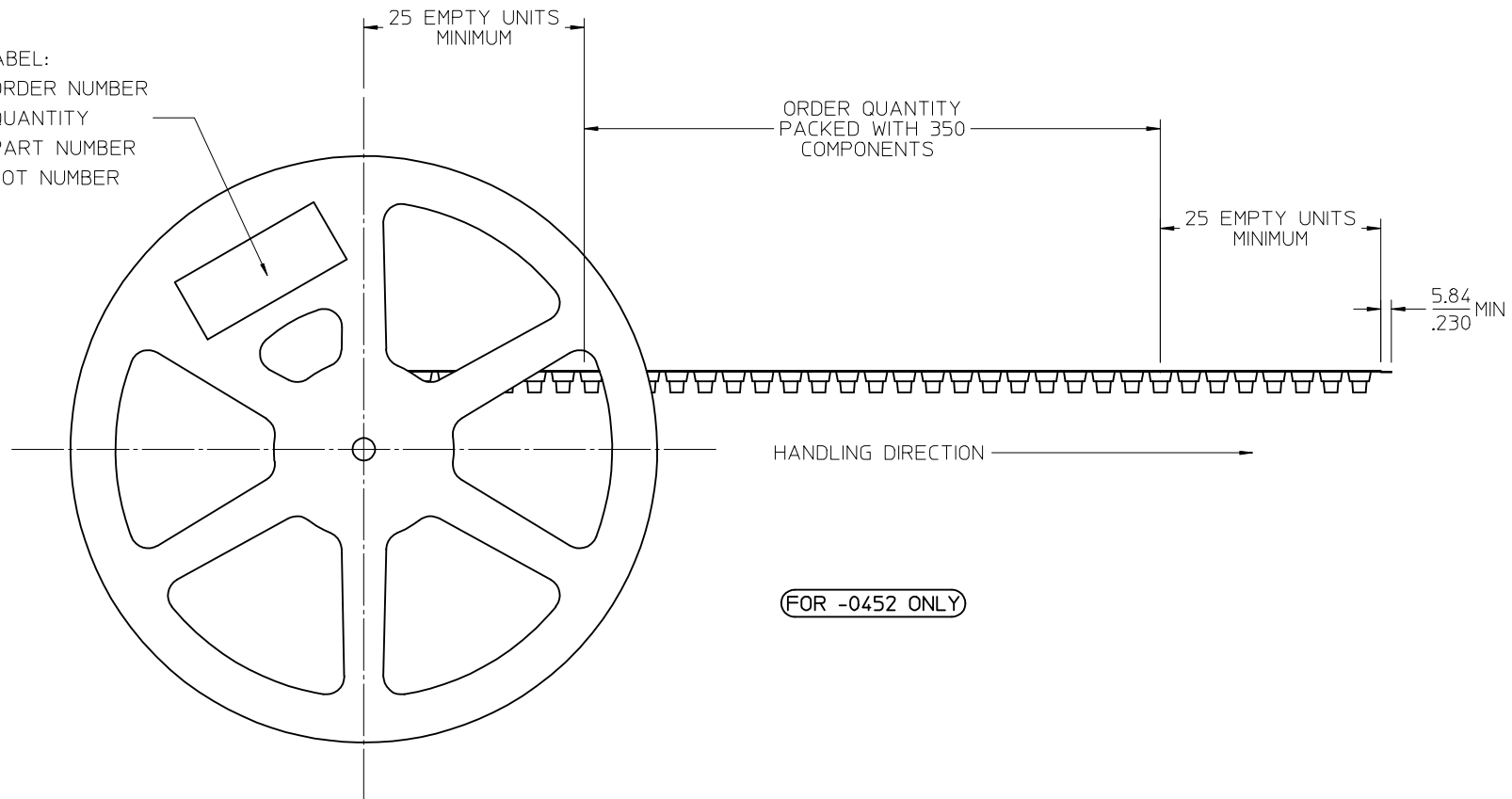
FOR -0453 ONLY



CHG:SEE SHEET 1 EC NO: URF2017-0412 DRWN:BSHAH 2017/06/08 CHKD:SSS 2017/06/08 APPR:AROBERTSON 2017/06/27 REV B5	QUALITY SYMBOLS	GENERAL TOLERANCES (UNLESS SPECIFIED)	DIMENSION STYLE	SCALE	DESIGN UNITS	THIRD ANGLE PROJECTION																		
	$\nabla = 0$ $\nabla = 0$ $\nabla = 0$	<table border="1"> <tr> <th></th> <th>mm</th> <th>INCH</th> </tr> <tr> <td>4 PLACES</td> <td>± ---</td> <td>± ---</td> </tr> <tr> <td>3 PLACES</td> <td>± ---</td> <td>± ---</td> </tr> <tr> <td>2 PLACES</td> <td>± ---</td> <td>± ---</td> </tr> <tr> <td>1 PLACE</td> <td>± ---</td> <td>± ---</td> </tr> <tr> <td>0 PLACE</td> <td>±</td> <td>±</td> </tr> </table>		mm	INCH	4 PLACES	± ---	± ---	3 PLACES	± ---	± ---	2 PLACES	± ---	± ---	1 PLACE	± ---	± ---	0 PLACE	±	±	MM/IN		METRIC	DRAWN BY DATE SSHAH 2011/04/14 CHECKED BY DATE SSS 2011/10/03 APPROVED BY DATE JW IENER 2011/10/03
		mm	INCH																					
	4 PLACES	± ---	± ---																					
3 PLACES	± ---	± ---																						
2 PLACES	± ---	± ---																						
1 PLACE	± ---	± ---																						
0 PLACE	±	±																						
	ANGULAR ± 2°				TITLE SMP-MAX P MALE DETENT PCB TH SMT SIGNAL EWR-10999, SMPMAX-P/PCB <b>molex</b>																			
	DRAFT WHERE APPLICABLE MUST REMAIN WITHIN DIMENSIONS		SEE TABLE		DOCUMENT NO. SD-73420-045 SHEET NO. 2 OF 4																			



LABEL:  
 -ORDER NUMBER  
 -QUANTITY  
 -PART NUMBER  
 -LOT NUMBER



(FOR -0452 ONLY)

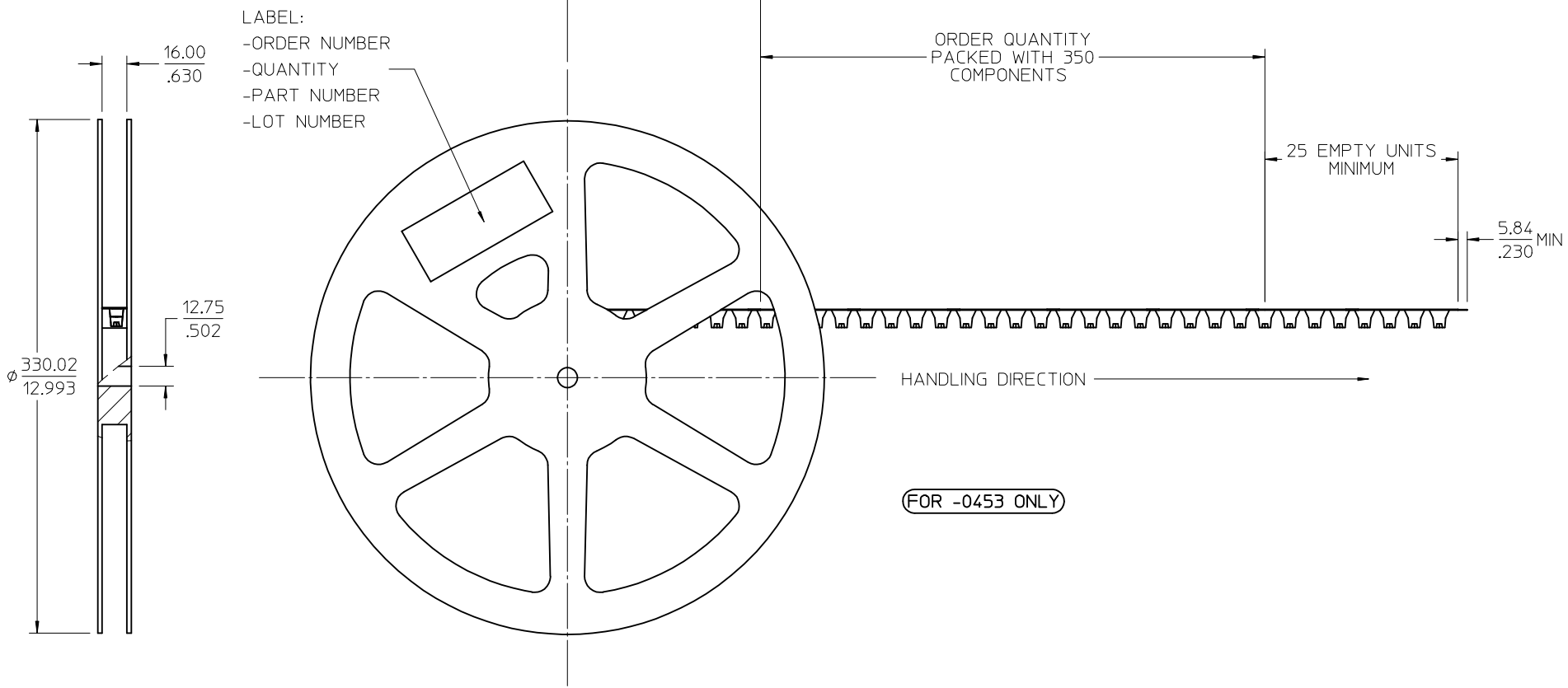
CHG:SEE SHEET 1	2017/06/08
EC NO: URF2017-0412	2017/06/08
DRWN:BSHAH	2017/06/08
CHKD:SSS	2017/06/08
APPR:AROBERTSON	2017/06/07
REV	DESCRIPTION
B5	

QUALITY SYMBOLS
▽=0
▽=0
▽=0

GENERAL TOLERANCES (UNLESS SPECIFIED)	
	MM/IN
4 PLACES	± .005 / ± .0002
3 PLACES	± .005 / ± .0002
2 PLACES	± .005 / ± .0002
1 PLACE	± .005 / ± .0002
0 PLACE	± .005 / ± .0002
ANGULAR ± 2 °	
DRAFT WHERE APPLICABLE MUST REMAIN WITHIN DIMENSIONS	

DIMENSION STYLE	
MM/IN	
DRAWN BY	DATE
SSH AH	2011/04/14
CHECKED BY	DATE
SSS	2011/10/03
APPROVED BY	DATE
JW IENER	2011/10/03
MATERIAL NO.	
SEE TABLE	

SCALE	DESIGN UNITS	THIRD ANGLE PROJECTION
	METRIC	
TITLE		
SMP-MAX P MALE DETENT		
PCB TH SMT SIGNAL		
EWR-10999, SMPMAX-P/PCB		
DOCUMENT NO.		SHEET NO.
SD-73420-045		3 OF 4
THIS DRAWING CONTAINS INFORMATION THAT IS PROPRIETARY TO MOLEX INCORPORATED AND SHOULD NOT BE USED WITHOUT WRITTEN PERMISSION		



LABEL:  
 -ORDER NUMBER  
 -QUANTITY  
 -PART NUMBER  
 -LOT NUMBER

ORDER QUANTITY  
 PACKED WITH 350  
 COMPONENTS

HANDLING DIRECTION

(FOR -0453 ONLY)

CHG:SEE SHEET 1  
 EC NO: URF2017-0412 2017/06/08  
 DRWN:BSHAH 2017/06/08  
 CHKD:SSS 2017/06/08  
 APPR:AROBERTSON 2017/06/27

REV	DESCRIPTION	QUALITY SYMBOLS
B5		▽=0
		▽=0
		▽=0

GENERAL TOLERANCES (UNLESS SPECIFIED)	
mm	INCH
4 PLACES ± .---	± .---
3 PLACES ± .---	± .---
2 PLACES ± .---	± .---
1 PLACE ± .---	± .---
0 PLACE ±	±
ANGULAR ± 2 °	
DRAFT WHERE APPLICABLE MUST REMAIN WITHIN DIMENSIONS	

DIMENSION STYLE	
MM/IN	
DRAWN BY	DATE
SSH AH	2011/04/14
CHECKED BY	DATE
SSS	2011/10/03
APPROVED BY	DATE
JW IENER	2011/10/03
MATERIAL NO.	
SEE TABLE	

SCALE	DESIGN UNITS	THIRD ANGLE PROJECTION
	METRIC	☉
TITLE		
SMP-MAX P MALE DETENT PCB TH SMT SIGNAL EWR-10999, SMPMAX-P/PCB		
DOCUMENT NO.		SHEET NO.
SD-73420-045		4 OF 4
THIS DRAWING CONTAINS INFORMATION THAT IS PROPRIETARY TO MOLEX INCORPORATED AND SHOULD NOT BE USED WITHOUT WRITTEN PERMISSION		

MATERIALS AND FINISHES:

BODY, CONTACT: BRASS  
 PLATED: GOLD (8μ-in MIN) OVER.  
 NICKEL PHOSPHOR (80μ-in MIN).

INSULATOR: LIQUID CRYSTAL POLYMER  
 / PTFE.

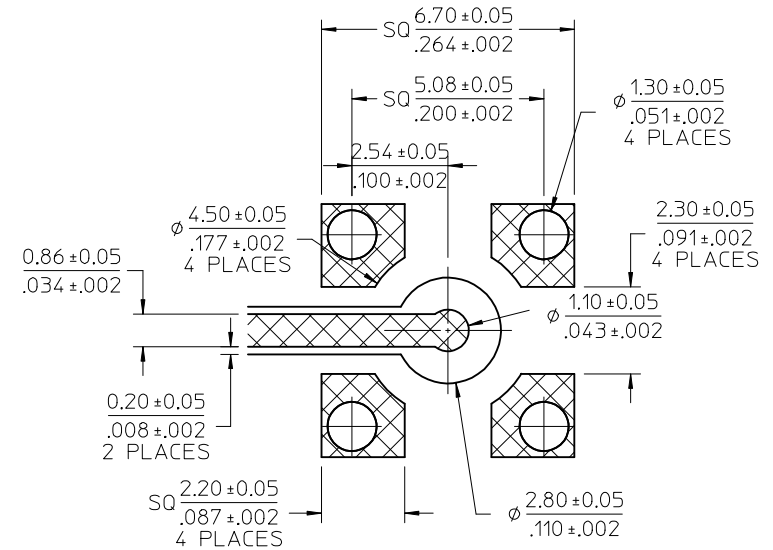
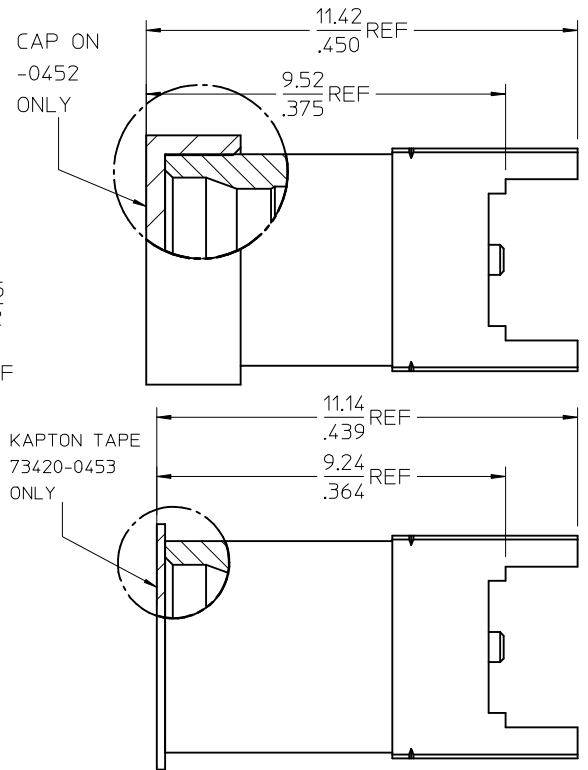
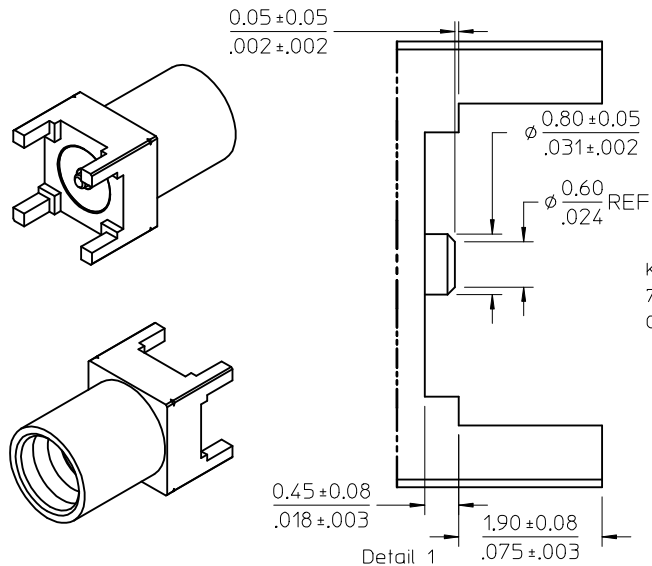
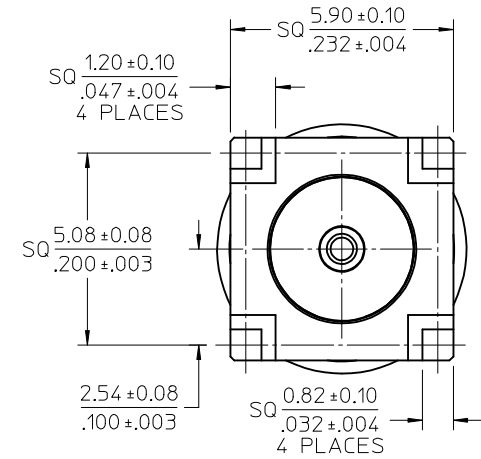
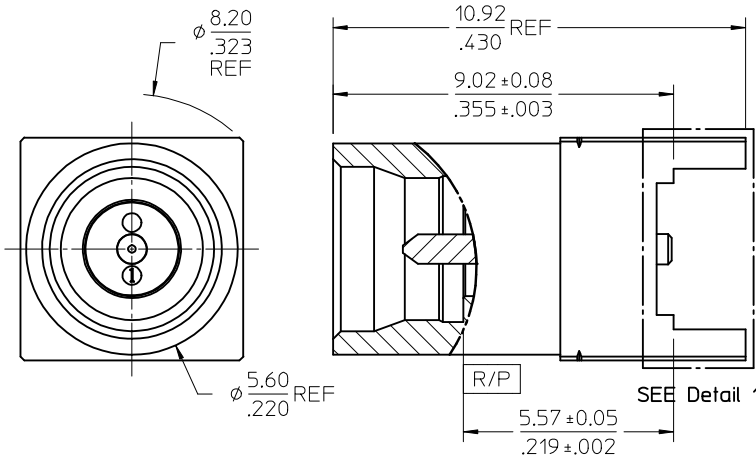
CAP: PTFE (ON -0452 ONLY).

KAPTON TAPE DOT: POLYIMIDE FILM  
 COLOR: BLACK (ON -0453 ONLY).

ELECTRICAL

1.07 / -30 dB	1.12 / -25 dB
DC - 4 GHz	4 - 6 GHz
VSWR / RL	

NOTE: ABOVE DATA ARE FOR INDIVIDUAL CONNECTOR



RECOMMENDED PCB LAYOUT  
 DESIGN FOR 50 OHM LINE

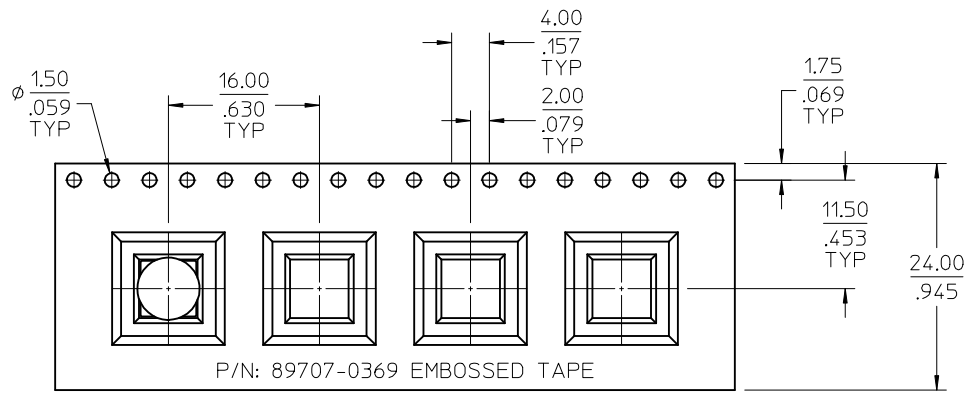
73420-0453	T&R W/KAPTON	350
73420-0452	T&R W/CAP	350
73420-0451	TRAY	80
73420-0450	SINGLE PC	1
PART NO	PACKAGING	QTY

PS-89675-3760	ELEC/MECH PERFORMANCE
SPECIFICATION	DESCRIPTION

CHG: ADDED ELECTRICAL SPEC EC NO: URF2017-0412 DRW: BSHAH 2017/06/08 CHKD: SSS 2017/06/08 APPR: ARBERTSON 2017/06/17	QUALITY SYMBOLS	DESCRIPTION
	▽=0	
	▽=0	
	▽=0	
REV	B5	

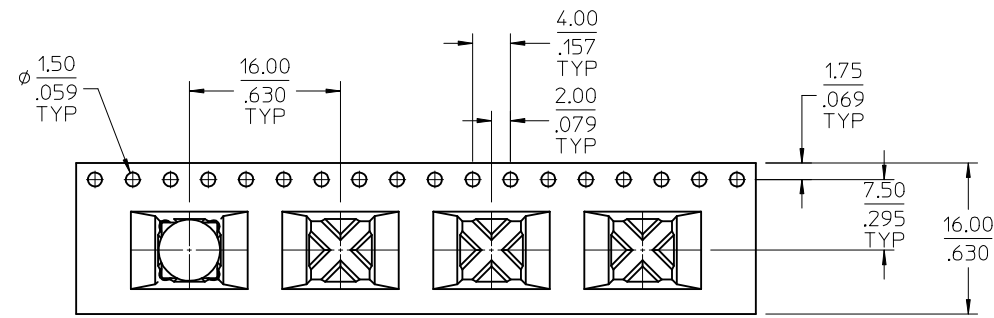
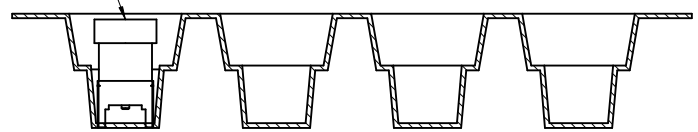
GENERAL TOLERANCES (UNLESS SPECIFIED)	MM	INCH
4 PLACES	± .010	± .0004
3 PLACES	± .015	± .0006
2 PLACES	± .020	± .0008
1 PLACE	± .030	± .0012
0 PLACE	± .040	± .0016
ANGULAR ± 2 °		
DRAFT WHERE APPLICABLE MUST REMAIN WITHIN DIMENSIONS		

DIMENSION STYLE		SCALE	DESIGN UNITS	THIRD ANGLE PROJECTION
MM/IN			METRIC	
DRAWN BY	DATE	TITLE		
SSHAH	2011/04/14	SMP-MAX P MALE DETENT		
CHECKED BY	DATE	PCB TH SMT SIGNAL		
SSS	2011/10/03	EWR-10999, SMPMAX-P/PCB		
APPROVED BY	DATE	molex		
JWIENER	2011/10/03	DOCUMENT NO. SD-73420-045		
MATERIAL NO.		SHEET NO. 1 OF 4		
SIZE	SEE TABLE	THIS DRAWING CONTAINS INFORMATION THAT IS PROPRIETARY TO MOLEX INCORPORATED AND SHOULD NOT BE USED WITHOUT WRITTEN PERMISSION		



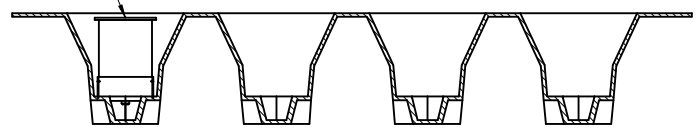
CAP FOR  
-0452 ONLY

FOR -0452 ONLY

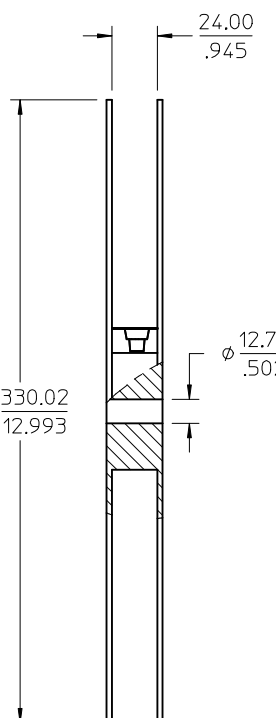


KAPTON FOR  
-0453 ONLY

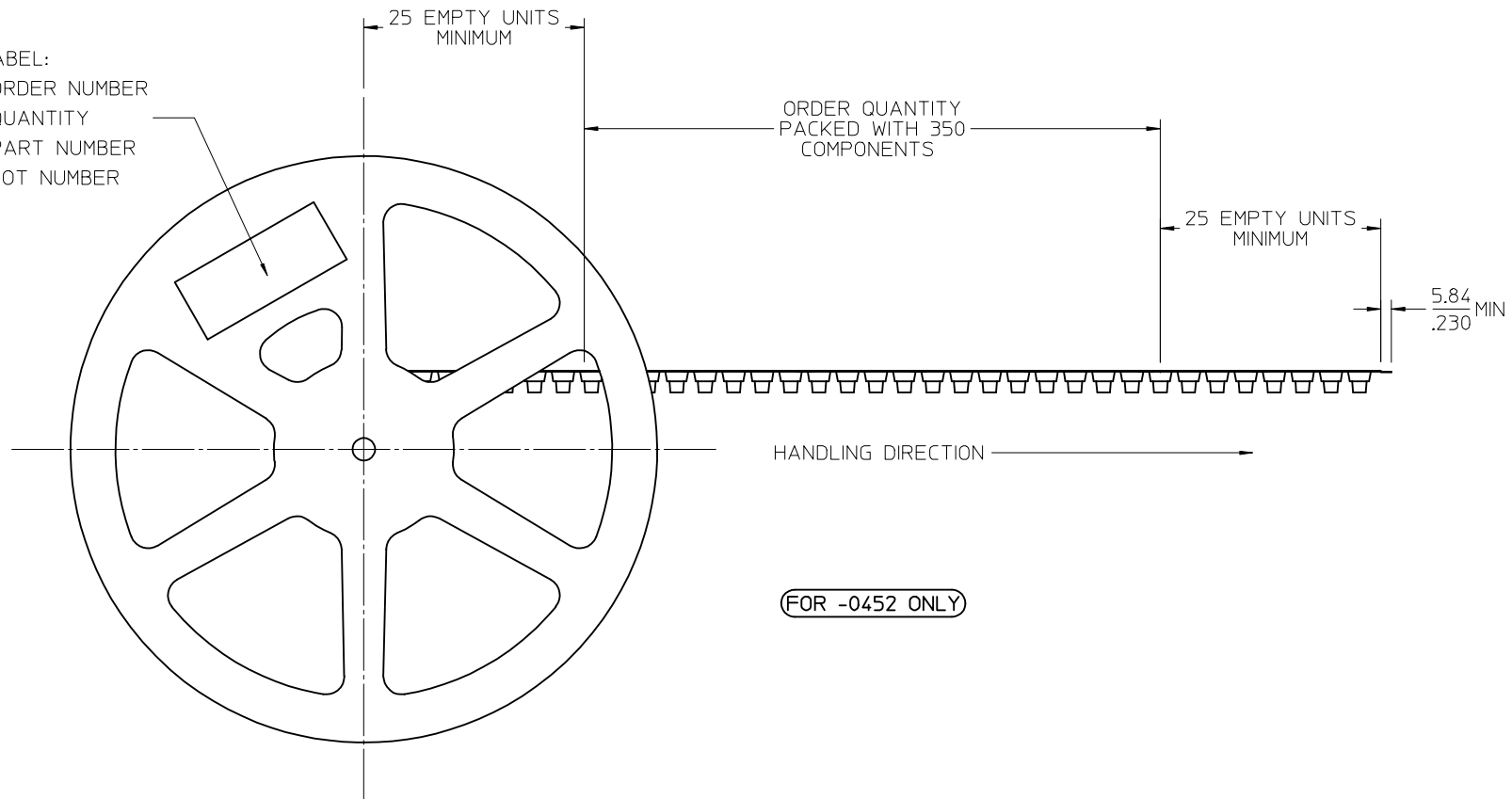
FOR -0453 ONLY



CHG:SEE SHEET 1 EC NO: URF2017-0412 DRWN:BSHAH 2017/06/08 CHKD:SSS 2017/06/08 APPR:AROBERTSON 2017/06/27 REV B5	QUALITY SYMBOLS	GENERAL TOLERANCES (UNLESS SPECIFIED)	DIMENSION STYLE	SCALE	DESIGN UNITS	THIRD ANGLE PROJECTION																			
	$\nabla = 0$ $\nabla = 0$ $\nabla = 0$	<table border="1"> <thead> <tr> <th></th> <th>mm</th> <th>INCH</th> </tr> </thead> <tbody> <tr> <td>4 PLACES</td> <td>± .010</td> <td>± .0004</td> </tr> <tr> <td>3 PLACES</td> <td>± .015</td> <td>± .0006</td> </tr> <tr> <td>2 PLACES</td> <td>± .020</td> <td>± .0008</td> </tr> <tr> <td>1 PLACE</td> <td>± .030</td> <td>± .0012</td> </tr> <tr> <td>0 PLACE</td> <td>± .040</td> <td>± .0016</td> </tr> </tbody> </table>		mm	INCH	4 PLACES	± .010	± .0004	3 PLACES	± .015	± .0006	2 PLACES	± .020	± .0008	1 PLACE	± .030	± .0012	0 PLACE	± .040	± .0016	MM/IN	DRAWN BY DATE SSHAH 2011/04/14 CHECKED BY DATE SSS 2011/10/03 APPROVED BY DATE JW IENER 2011/10/03	METRIC	TITLE SMP-MAX P MALE DETENT PCB TH SMT SIGNAL EWR-10999, SMPMAX-P/PCB	SHEET NO. 2 OF 4
		mm	INCH																						
	4 PLACES	± .010	± .0004																						
3 PLACES	± .015	± .0006																							
2 PLACES	± .020	± .0008																							
1 PLACE	± .030	± .0012																							
0 PLACE	± .040	± .0016																							
ANGULAR ± 2°	DRAFT WHERE APPLICABLE MUST REMAIN WITHIN DIMENSIONS	SEE TABLE	DOCUMENT NO. SD-73420-045																						
THIS DRAWING CONTAINS INFORMATION THAT IS PROPRIETARY TO MOLEX INCORPORATED AND SHOULD NOT BE USED WITHOUT WRITTEN PERMISSION																									



LABEL:  
 -ORDER NUMBER  
 -QUANTITY  
 -PART NUMBER  
 -LOT NUMBER



(FOR -0452 ONLY)

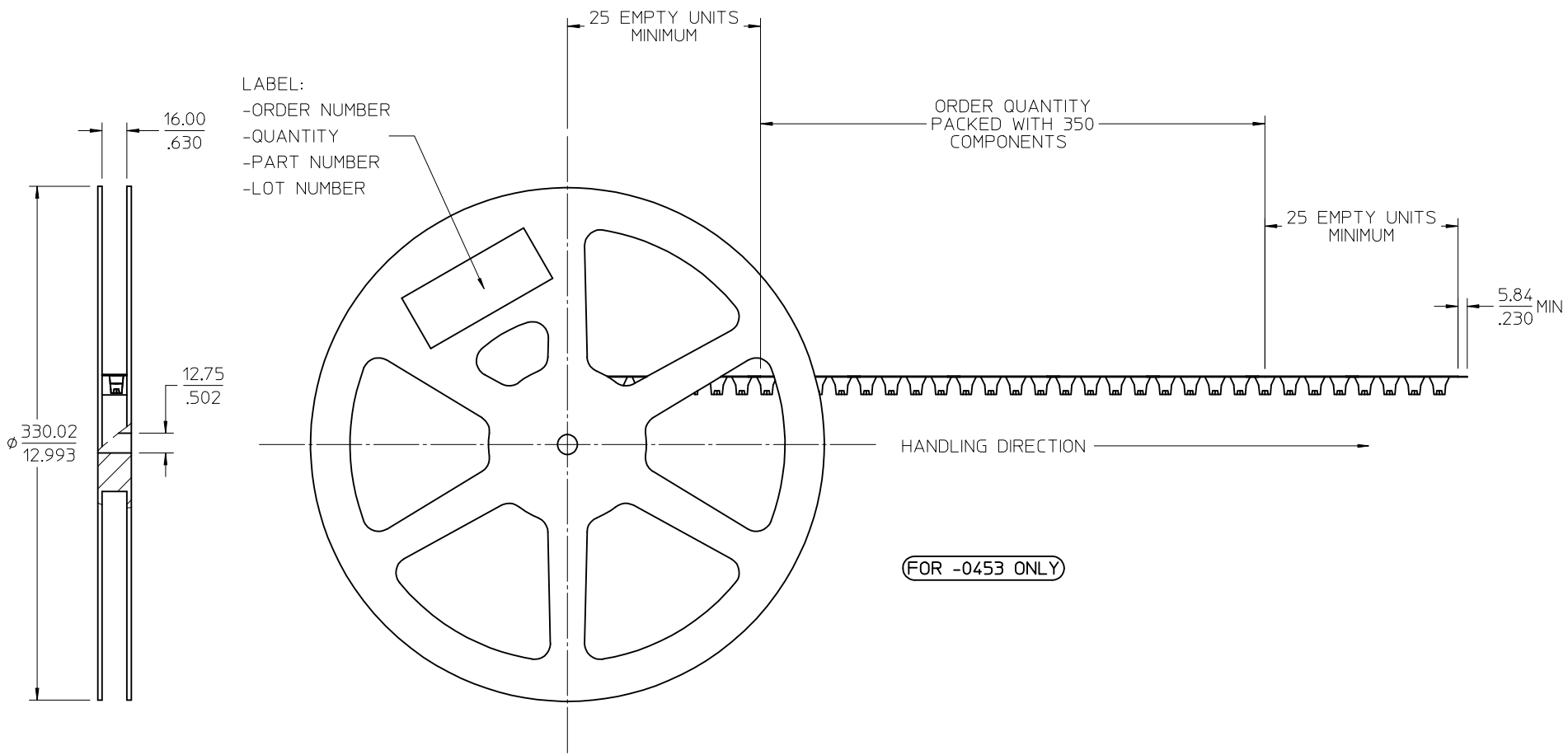
CHG:SEE SHEET 1	2017/06/08
EC NO: URF2017-0412	2017/06/08
DRWN:BSHAH	2017/06/08
CHKD:SSS	2017/06/08
APPR:AROBERTSON	2017/06/07
REV	DESCRIPTION
B5	

QUALITY SYMBOLS
▽=0
▽=0
▽=0

GENERAL TOLERANCES (UNLESS SPECIFIED)	
	mm INCH
4 PLACES ±	±
3 PLACES ±	±
2 PLACES ±	±
1 PLACE ±	±
0 PLACE ±	±
ANGULAR ± 2 °	
DRAFT WHERE APPLICABLE MUST REMAIN WITHIN DIMENSIONS	

DIMENSION STYLE	
MM/IN	
DRAWN BY	DATE
SSH AH	2011/04/14
CHECKED BY	DATE
SSS	2011/10/03
APPROVED BY	DATE
JW IENER	2011/10/03
MATERIAL NO.	
SEE TABLE	

SCALE	DESIGN UNITS	THIRD ANGLE PROJECTION
	METRIC	
TITLE		
SMP-MAX P MALE DETENT		
PCB TH SMT SIGNAL		
EWR-10999, SMPMAX-P/PCB		
DOCUMENT NO.		SHEET NO.
SD-73420-045		3 OF 4
THIS DRAWING CONTAINS INFORMATION THAT IS PROPRIETARY TO MOLEX INCORPORATED AND SHOULD NOT BE USED WITHOUT WRITTEN PERMISSION		



LABEL:  
 -ORDER NUMBER  
 -QUANTITY  
 -PART NUMBER  
 -LOT NUMBER

(FOR -0453 ONLY)

CHG:SEE SHEET 1  
 EC NO: URF2017-0412 2017/06/08  
 DRWN:BSHAH 2017/06/08  
 CHKD:SSS 2017/06/08  
 APPR:AROBERTSON 2017/06/27

REV	DESCRIPTION	QUALITY SYMBOLS
B5		▽=0
		▽=0
		▽=0

GENERAL TOLERANCES (UNLESS SPECIFIED)	
mm	INCH
4 PLACES ± .005	± .0004
3 PLACES ± .008	± .0003
2 PLACES ± .010	± .0002
1 PLACE ± .015	± .0001
0 PLACE ± .020	± .0000
ANGULAR ± 2°	
DRAFT WHERE APPLICABLE MUST REMAIN WITHIN DIMENSIONS	

DIMENSION STYLE	
MM/IN	
DRAWN BY	DATE
SSH AH	2011/04/14
CHECKED BY	DATE
SSS	2011/10/03
APPROVED BY	DATE
JW IENER	2011/10/03
MATERIAL NO.	
SEE TABLE	

SCALE	DESIGN UNITS	THIRD ANGLE PROJECTION
	METRIC	☉
TITLE		
SMP-MAX P MALE DETENT PCB TH SMT SIGNAL EWR-10999, SMPMAX-P/PCB		
DOCUMENT NO.		SHEET NO.
SD-73420-045		4 OF 4
THIS DRAWING CONTAINS INFORMATION THAT IS PROPRIETARY TO MOLEX INCORPORATED AND SHOULD NOT BE USED WITHOUT WRITTEN PERMISSION		