

REVISIONS				
REV	ICN	DESCRIPTION	DATE	APPROVED
T		ELASTOMER GASKET OPTION ADDED	SEP 15 09	ZJ
U		DETAILS ADDED	JAN 14 10	ZJ
V		NOTE #3 ADDED	JAN 20 11	ZJ
Z		BOTTOM VIEW ADDED	FEB 20 12	ZJ

FS1 - SF1 - 1XXX

MOUNTING SCREW OPTION

- 1 = 8 mm MOUNTING SCREW SHIPPED BULK IN SAME TRAYS WITH CAGE ASSEMBLIES
- 2 = NO MOUNTING SCREW SUPPLIED
- 3 = 10 mm MOUNTING SCREW WITH LOCK WASHER SHIPPED BULK IN SAME TRAYS WITH CAGE ASSEMBLIES

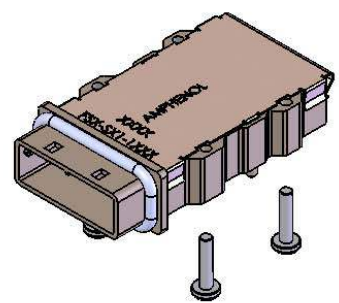
GASKET OPTION

- E = STAINLESS STEEL EMI GASKET
- F = FOAM, CHOMERIC S SOFT SHIELD 4800, EMI GASKET
- C = CONDUCTIVE ELASTOMER, CHOMERIC S S6305

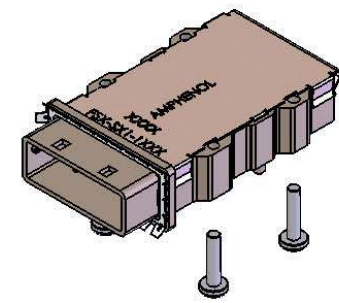
KEYING OPTION (SEE BELOW TABLE FOR FURTHER CLARIFICATION)

- 0 = NO KEY
- 1 = KEY # 1
- 2 = KEY # 2
- 3 = KEY # 3
- 4 = KEY # 4
- 5 = KEY # 5
- 6 = KEY # 6
- 7 = KEY # 7
- 24 = KEY # 2 AND # 4
- 46 = KEY # 4 AND # 6

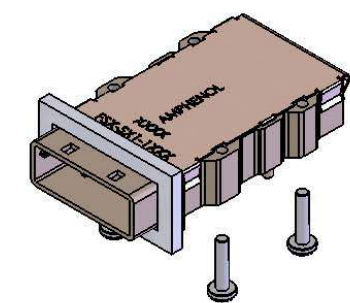
Key Option	Part Number	Description
0	FS1-SF1-10XX	No Key
1	FS1-SF1-11XX	SATA 'X' Cable
2	FS1-SF1-12XX	
3	FS1-SF1-13XX	
4	FS1-SF1-14XX	SAS Universal Port
5	FS1-SF1-15XX	
6	FS1-SF1-16XX	
7	FS1-SF1-17XX	SATA 'M' Cable
2, 4	FS1-SF1-124XX	SAS Out Port
4, 6	FS1-SF1-146XX	SAS In Port



PART NUMBER: FS1-SF1-14C1 SHOWN
(CAGE ASSEMBLY WITH ELASTOMERIC GASKET AND 8mm MOUNTING SCREWS SHIPPED BULK)



PART NUMBER: FS1-SF1-14E1 SHOWN
(CAGE ASSEMBLY WITH STAINLESS STEEL GASKET AND 8mm MOUNTING SCREWS SHIPPED BULK)



PART NUMBER: FS1-SF1-14F1 SHOWN
(CAGE ASSEMBLY WITH FOAM GASKET AND 8mm MOUNTING SCREWS SHIPPED BULK)

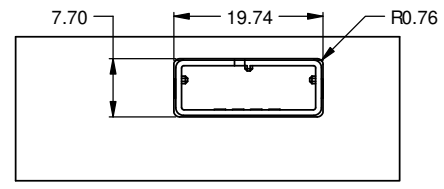
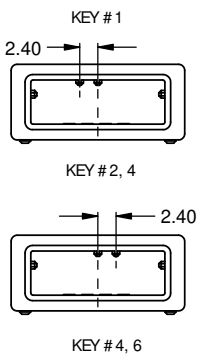
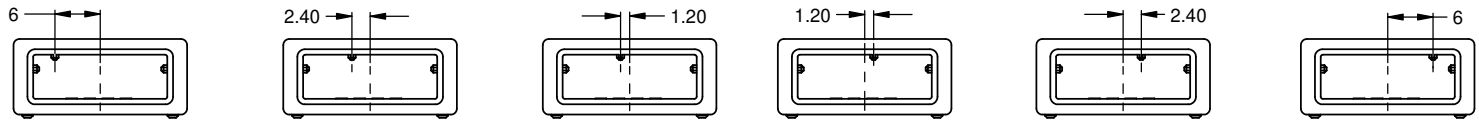


DO NOT SCALE DRAWING

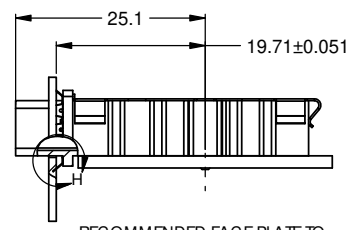
THIS DOCUMENT CONTAINS PROPRIETARY INFORMATION AND SUCH INFORMATION MAY NOT BE DISCLOSED TO OTHERS FOR ANY PURPOSE OR USED FOR MANUFACTURING PURPOSES WITHOUT PERMISSION FROM AMPHENOL CANADA CORP.

UNLESS OTHERWISE SPECIFIED DIMENSIONS ARE IN MILLIMETERS TOLERANCES ARE:		APPROVALS		DATE		Amphenol Canada Corp.	
DECIMALS	ANGLES	DRAWN	ZJ	JAN 6/09	TITLE		
.X ± 0.25	± 2°	DESIGNED	ZJ	JAN 06/09	MINI SAS0 DEGREE SINGLE PORT CAGE		
.XX ± 0.10		CHECKED			MATERIAL AND FINISH		
.XXX ± 0.05		DATE			DWG. NO. P-FS1-SF1-1XXX		
DWG. REL. NO. EAR 123XX		DWG. APPD.		SCALE		REV. Z	
CODE/DBY NO. 03554		DWG. APPD.		SCALE		SHEET 1 OF 1	

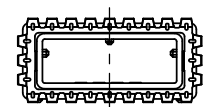
REVISIONS				
REV	EN	DESCRIPTION	DATE	APPROVED
Z		SEE SHEET 1	FEB 22 '13	ZLJ



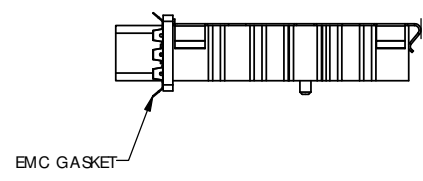
RECOMMENDED PANEL CUT-OUT



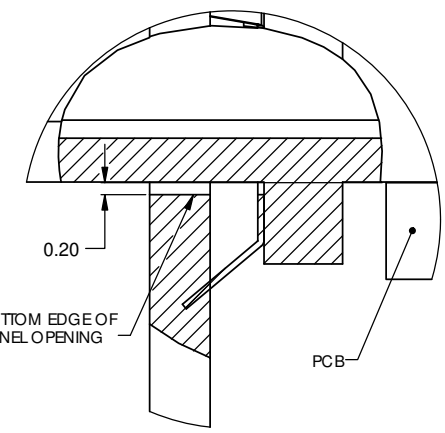
RECOMMENDED FACE PLATE TO LOCATING POST DISTANCE



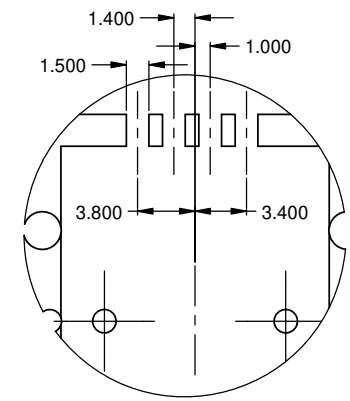
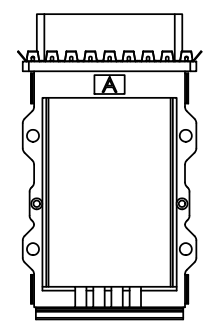
KEY #4



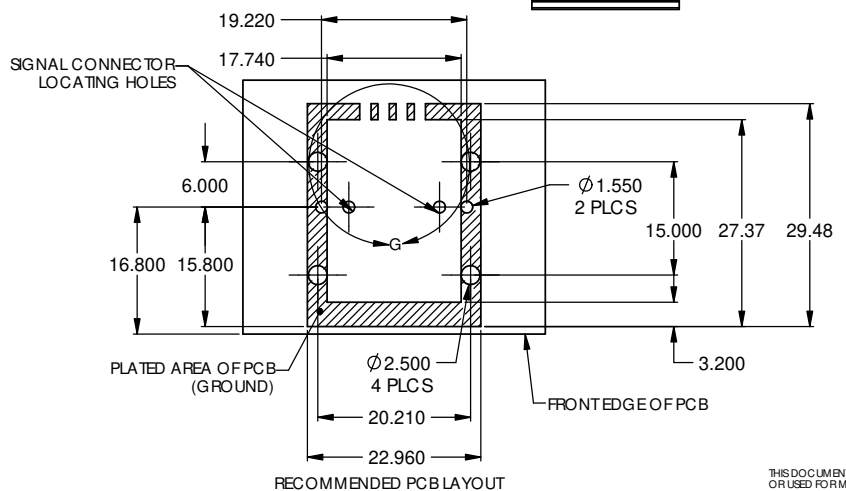
EMC GASKET



DETAIL H
SCALE 16 : 1



DETAIL G
SCALE 4 : 1



RECOMMENDED PCB LAYOUT

NOTES

- MATERIAL:
MAIN CAGE: ZINC DIECAST SHELL WITH 150 MICROINCHES OF NICKEL PLATING
EMC GASKET: SEE SHEET 1
COVER: STAINLESS STEEL
MOUNTING SCREW: AISI 1010 STEEL
- ROHS COMPLIANT
- COMPATIBLE WITH SFF-8088 SHIELDED MULTILANE MINI SAS PLUGS



UNLESS OTHERWISE SPECIFIED DIMENSIONS ARE IN MILLIMETERS TOLERANCES ARE: DIMINALS ANGLES X± 0.25 ± 2° .XX± 0.10 .XXX± 0.05		APPROVALS	DATE	Amphenol Canada Corp.
DRAWN: ZLJ	CHECKED: ZLJ	JAN 06/09	JAN 06/09	
MATERIAL AND FINISH		SCALE	PROJECT	REV
DWG. FILE NO: EAR 123XX	EA APP'D:	C	NTS	P-FSI-SF1-1XXX
CODE/ENVT NO: 03554	DWG APP'D:	SCALE	PROJECT	SHEET 1 OF 1

THIS DOCUMENT CONTAINS PROPRIETARY INFORMATION AND SUCH INFORMATION MAY NOT BE DISCLOSED TO OTHERS FOR ANY PURPOSE OR USED FOR MANUFACTURING PURPOSES WITHOUT PERMISSION FROM AMPHENOL CANADA CORP.

DO NOT SCALE DRAWING