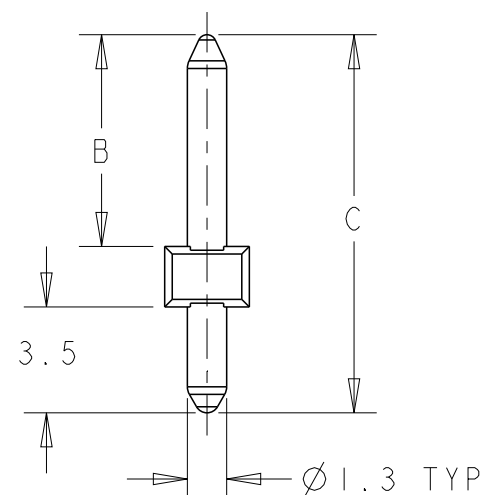
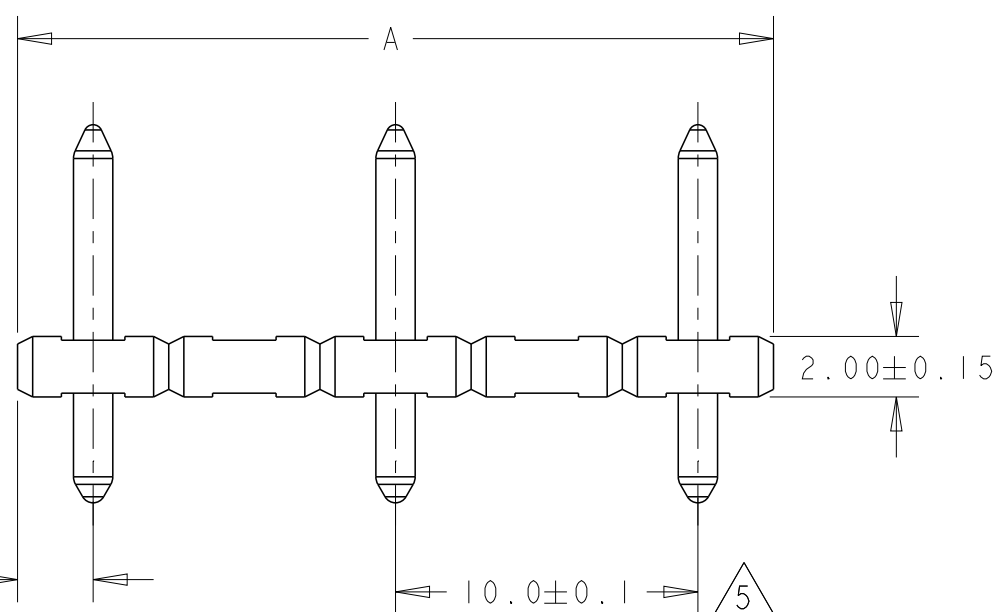
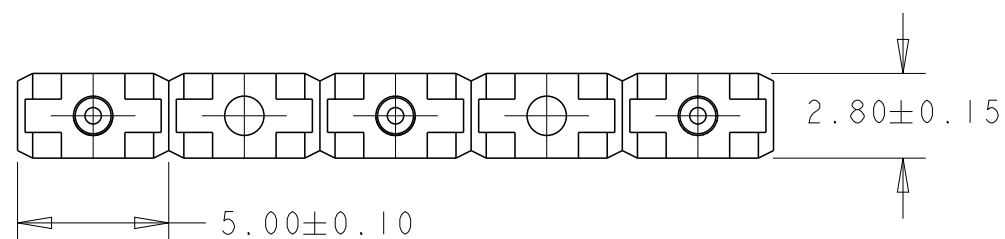


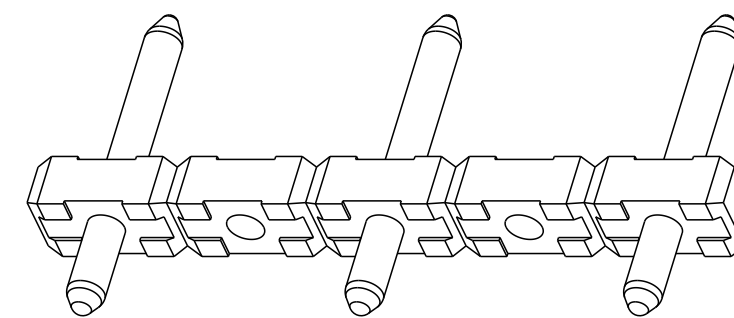
REVISIONS

P	LTR	DESCRIPTION	DATE	DWN	APVD
	D1	HOUSING MATERIAL DETAIL CORRECTED	05DEC2014	PS	JK



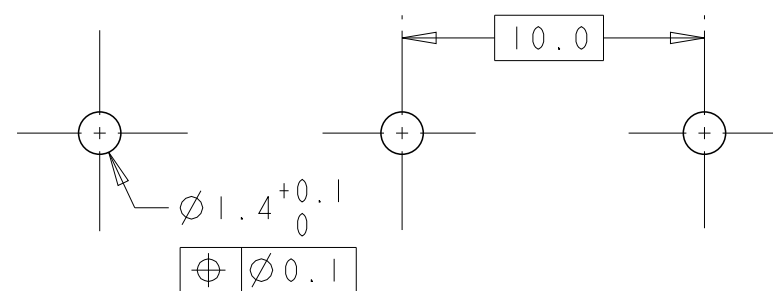
1. MATERIALS AND FINISH  
 HOUSING: PA 4T, UL 94-V0, COLOR GREEN.  
 TERMINAL: BRASS, TIN PLATED.
2. SUITABLE FOR 1,6-2,4mm PC BOARD THICKNESS.
3. RECOGNIZED UNDER THE COMPONENT PROGRAM OF UNDERWRITERS LABORATORIES INC. FILE N° E60677.
4. IMQ CERTIFICATE WITH SURVEILLANCE IN CONFORMITY WITH IEC 998-1/998-2-1.

5. NOT CUMULATIVE TOLERANCE.



282833-3 AS SHOWN

RECOMMENDED PC BOARD LAYOUT



16.5	11.0	25	3	1-282833-3
12.5	7.0	55	6	282833-6
12.5	7.0	45	5	282833-5
12.5	7.0	35	4	282833-4
12.5	7.0	25	3	282833-3
12.5	7.0	15	2	282833-2
DIM C	DIM B	DIM A	N° OF POS.	PART NUMBER

THIS DRAWING IS A CONTROLLED DOCUMENT.

DIMENSIONS:	TOLERANCES UNLESS OTHERWISE SPECIFIED:
mm	
	0 PLC ±
	1 PLC ±.3
	2 PLC ±.25
	3 PLC ±
	4 PLC ±
	ANGLES ±2°
MATERIAL	FINISH

DWN	J. STAUFFER	22JUL2002
CHK	C. RICHARD	22JUL2002
APVD	C. RICHARD	22JUL2002
PRODUCT SPEC	108-20166	
APPLICATION SPEC	114-20079	
WEIGHT	-	
Customer Drawing		



NAME				TERMINAL BLOCK PIN HEADER UNSHROUDED, 10mm PITCH	
SIZE	CAGE CODE	DRAWING NO	RESTRICTED TO		
A3	00779	C-282833	-		
SCALE		SHEET	OF	REV	
4:1		1	1	D1	