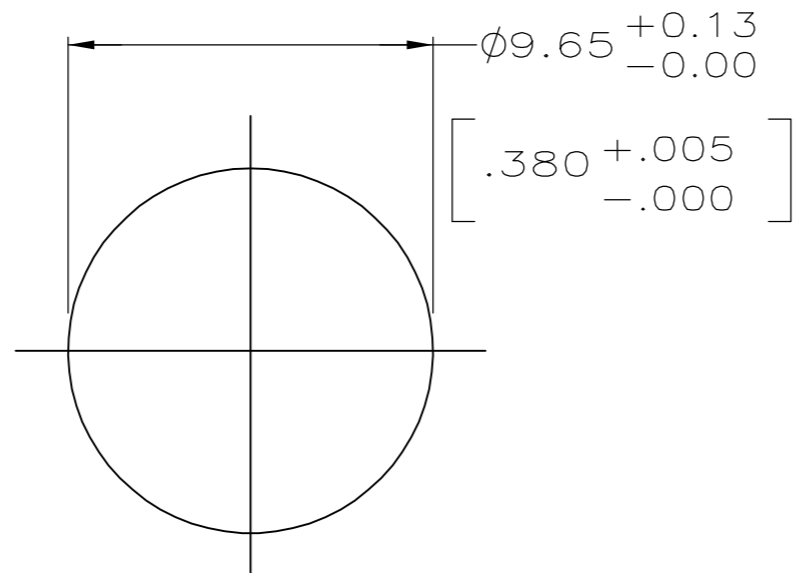


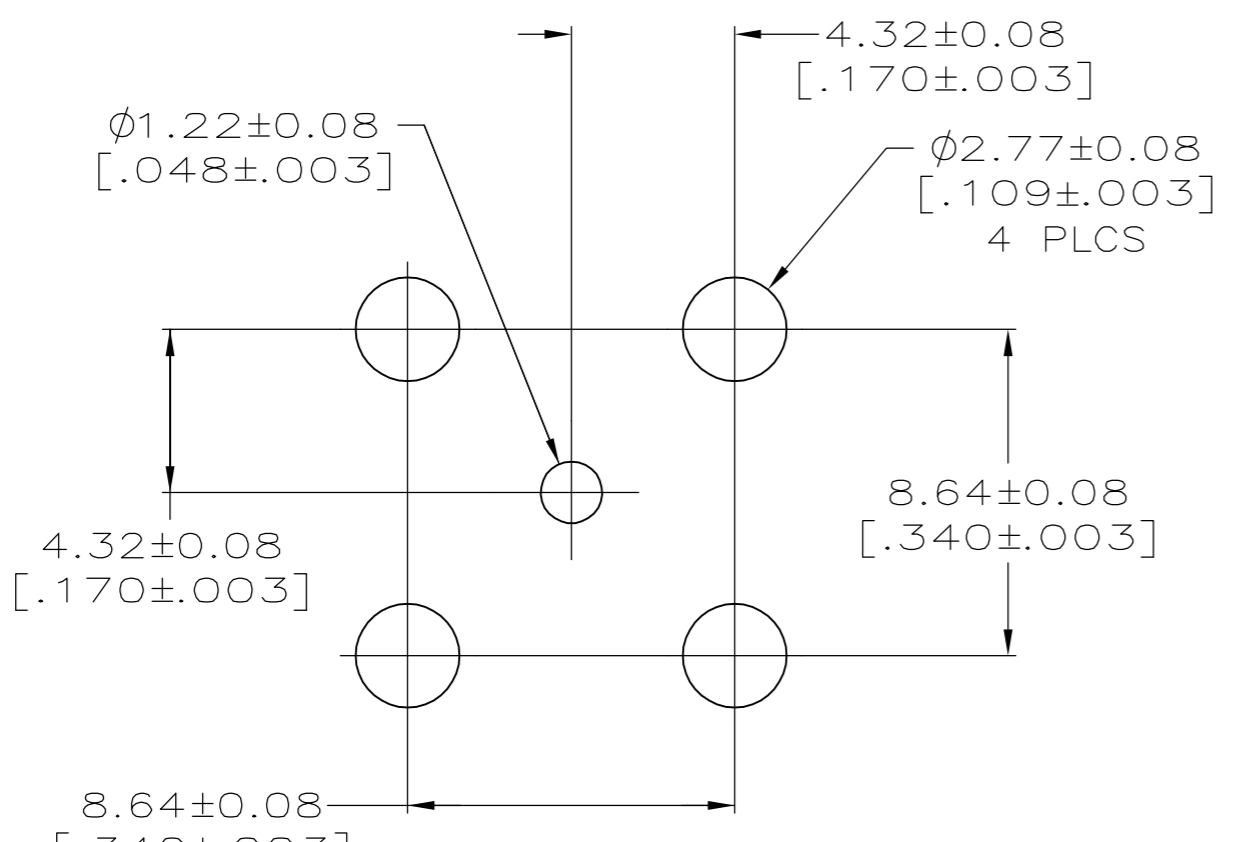
THIS DRAWING IS UNPUBLISHED. RELEASED FOR PUBLICATION  
 © COPYRIGHT BY TYCO ELECTRONICS CORPORATION. ALL RIGHTS RESERVED.

Loc	DIST	REVISIONS					
AJ	16	P	LTR	DESCRIPTION	DATE	DWN	APVD
		0		REV PER EC-0S14-0496-04	01FEB2005	LV	KW

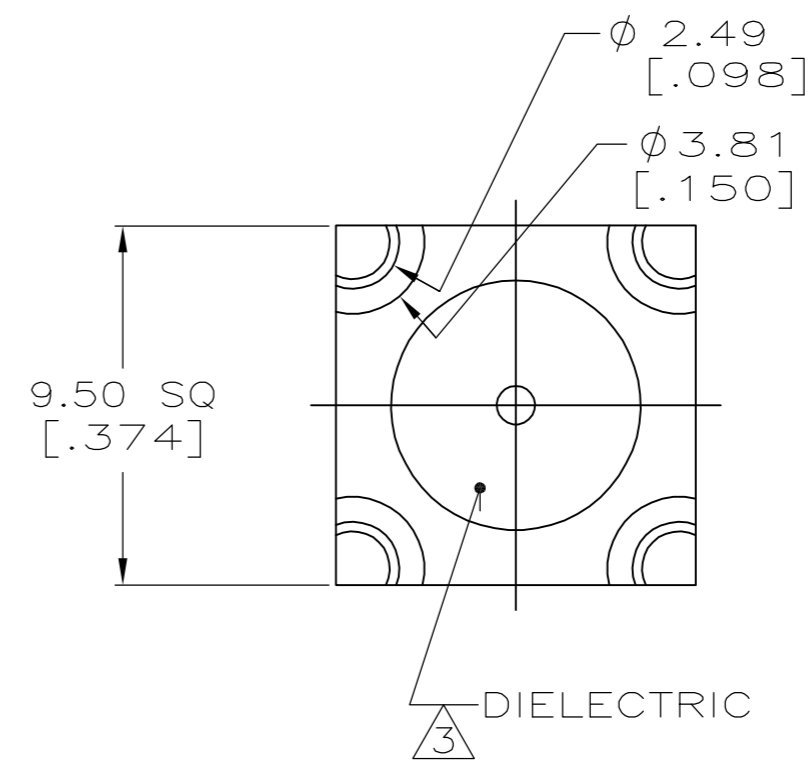
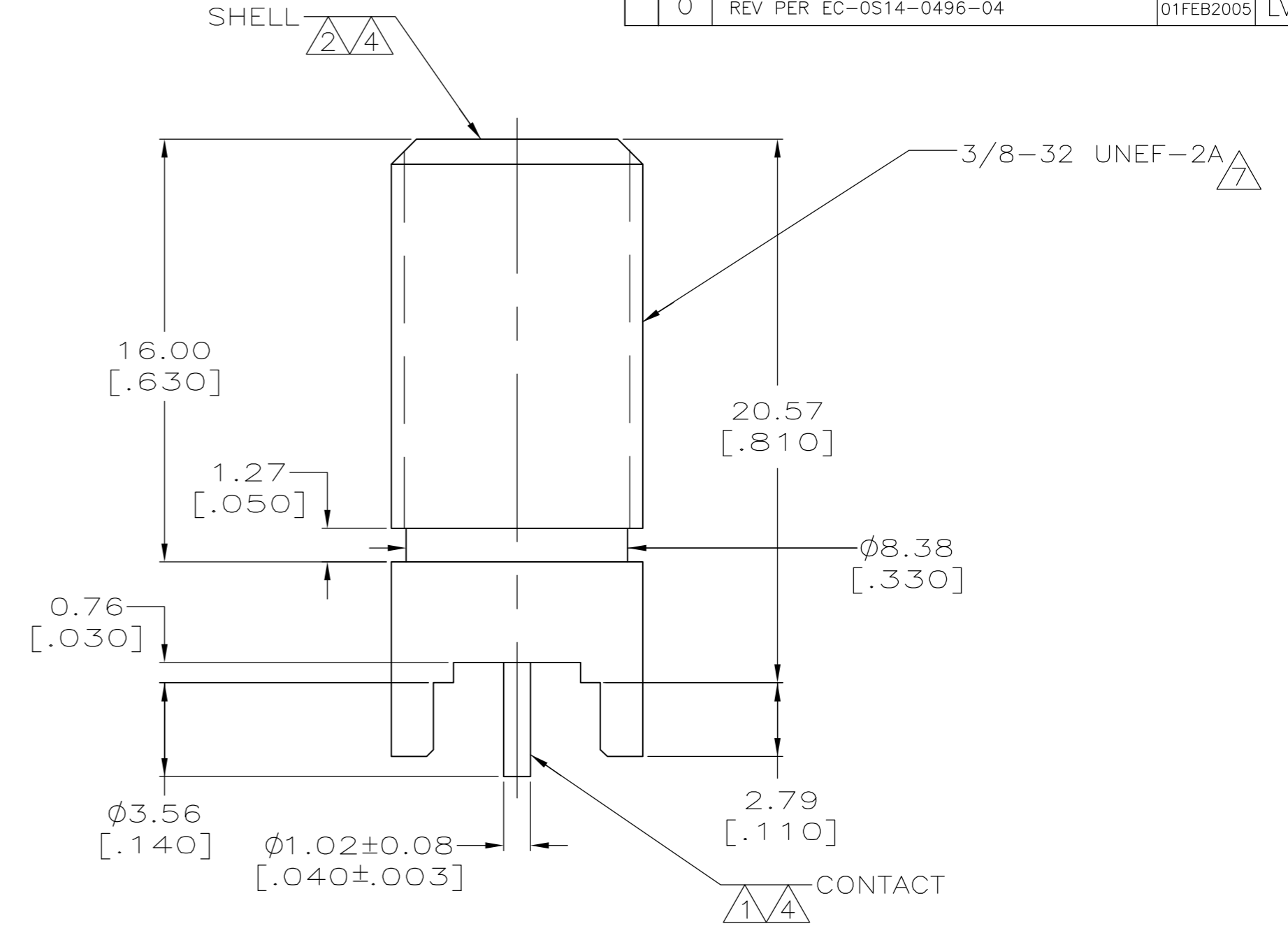
- 1 PHOSPHOR BRONZE PER QQ-B-750
- 2 ZINC PER QQ-Z-363.
- 3 PTFE PER MIL-P-19468.
- 4 TIN PLATE PER ASTM B 545.  
3.81µm [.000150] MINIMUM THICK.
- 5. CONNECTOR WILL ACCEPT A CENTER CONDUCTOR  
DIAMETER OF 0.56[.022]-1.19[.047].
- 6. RETURN LOSS: -20 dB NOMINAL, UP TO 1 GHz.
- 7 MAJOR DIAMETER MODIFIED TO .363 REF.



SUGGESTED PANEL CUTOUT



RECOMMENDED PCB CONFIGURATION



DIELECTRIC

5887046-1  
 PART NUMBER

THIS DRAWING IS A CONTROLLED DOCUMENT.		DWN L. VARELA - DOCK5 01FEB2005	Tyco Electronics Corporation Harrisburg, PA 17105-3608	
DIMENSIONS: mm [INCHES]		CHK J. HAVENER 01FEB2005	NAME JACK, PCB, VERTICAL, F SERIES	
TOLERANCES UNLESS OTHERWISE SPECIFIED: 0 PLC ± - 1 PLC ± - 2 PLC ± - 3 PLC ± 0.20 [.008] 4 PLC ± - ANGLES ± - FINISH SEE NOTE 4		APVD K. WEIDNER 01FEB2005	RESTRICTED TO -	
MATERIAL SEE NOTES 1-3		PRODUCT SPEC -	SIZE A2	CAGE CODE 00779
		APPLICATION SPEC -	DRAWING NO C=5887046	
		WEIGHT -	SCALE 5:1	
		CUSTOMER DRAWING	SHEET 1 OF 1	
			REV 0	