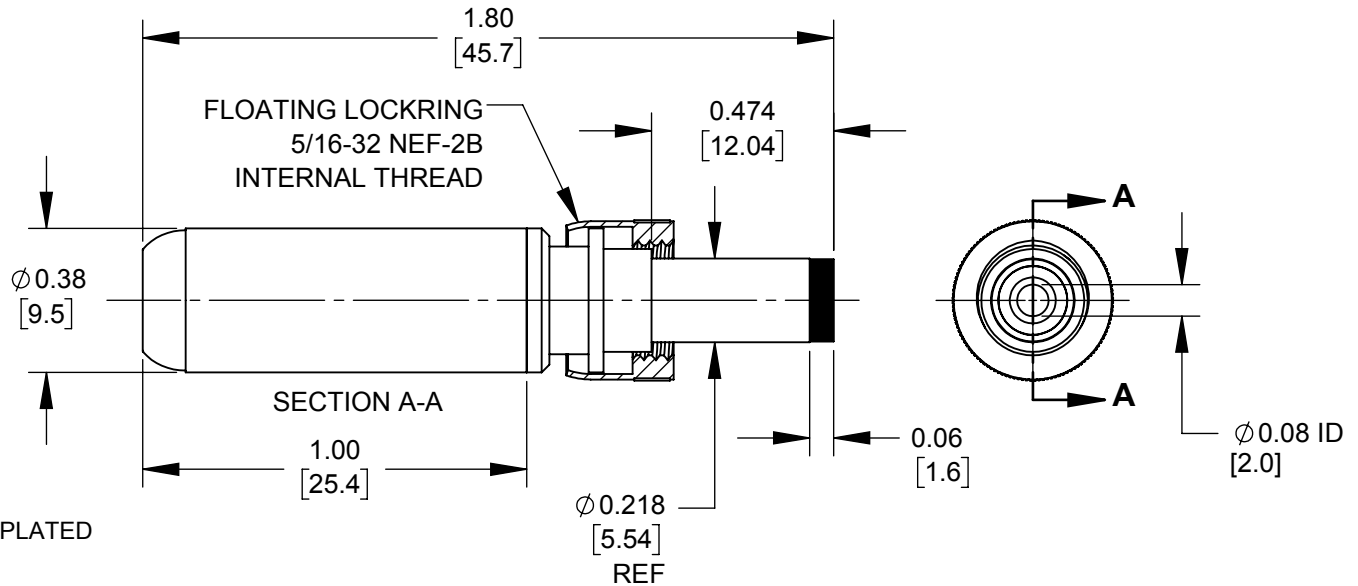
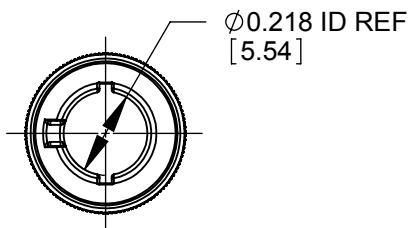
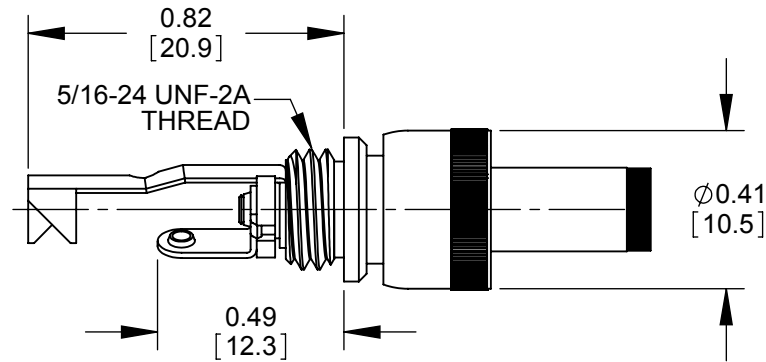


PART NUMBER	HANDLE COLOR
S761KH	BLACK
S766KH	RED



NOTES:

- MATERIALS:  
CONDUCTORS, LOCKRING - BRASS, NICKEL PLATED  
TERMINALS - BRASS, TIN PLATED  
INSULATORS, HANDLE - THERMOPLASTIC
- THIS PRODUCT IS RoHS COMPLIANT.

**CUSTOMER DRAWING**

					THIS DRAWING DESCRIBES A DESIGN CONSIDERED PROPRIETARY IN NATURE, DEVELOPED AND MANUFACTURED BY SWITCHCRAFT INC. AND IS RELEASED ON A CONFIDENTIAL BASIS FOR IDENTIFICATION PURPOSES ONLY.				
					SIZE	WIDTH	MULT	LBS/M	TEMPER
					FINISH			MATERIAL	
					SPEC No.			SPEC No.	
					FIRST USED ON		SCALE 2:1		
A	27941	09/06/17	PC	TJK	DATE DRAWN	BY	CHKD	APVD	<b>Switchcraft®</b>
REV	ECO NUMBER	DATE	BY	APVD	6/27/16	PNK	PNK	SRC	
REVISIONS					NAME Ø0.08 [2.0]mm x 0.474 LONG HT POWER PLUG W/LOCKRING, RoHS				
DO NOT SCALE DRAWING					PART No. S761KH-S766KH				
SolidWorks CAD File					REV A				

SolidWorks CAD File

