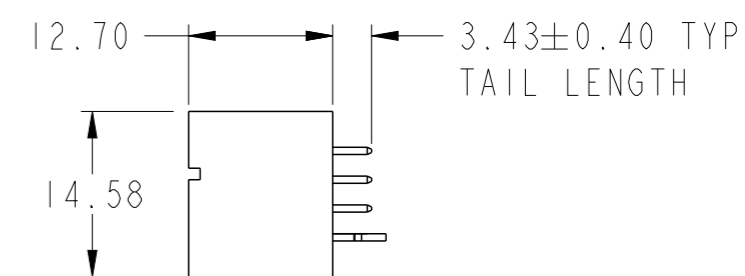
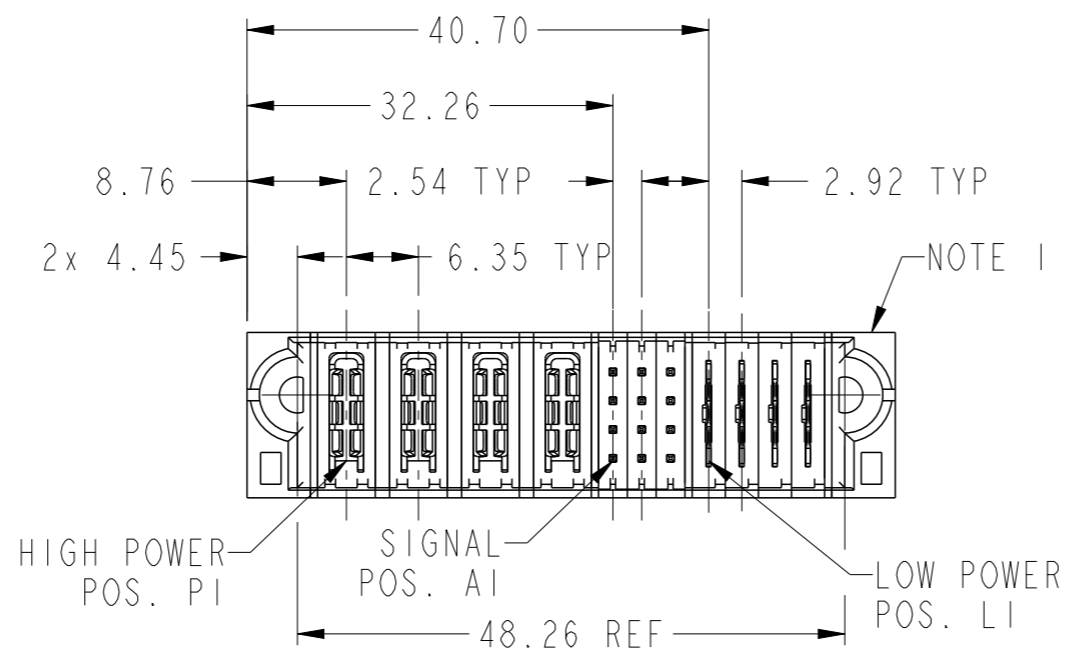
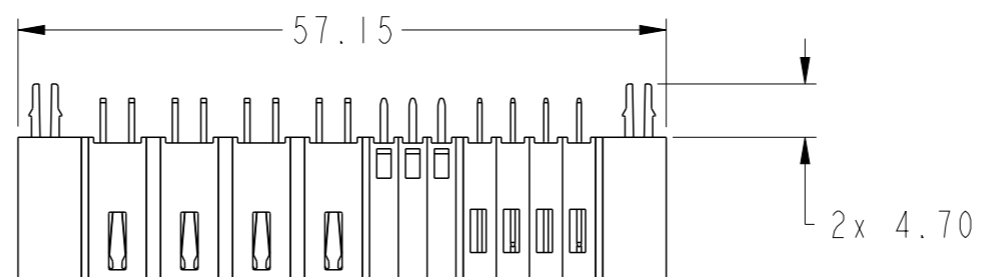
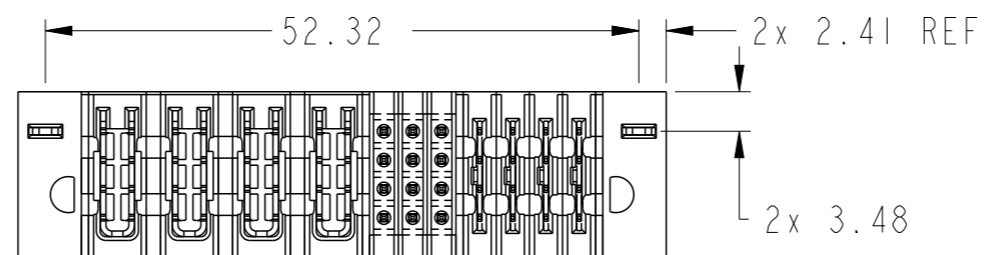


PART NUMBER SEE SHEET 2



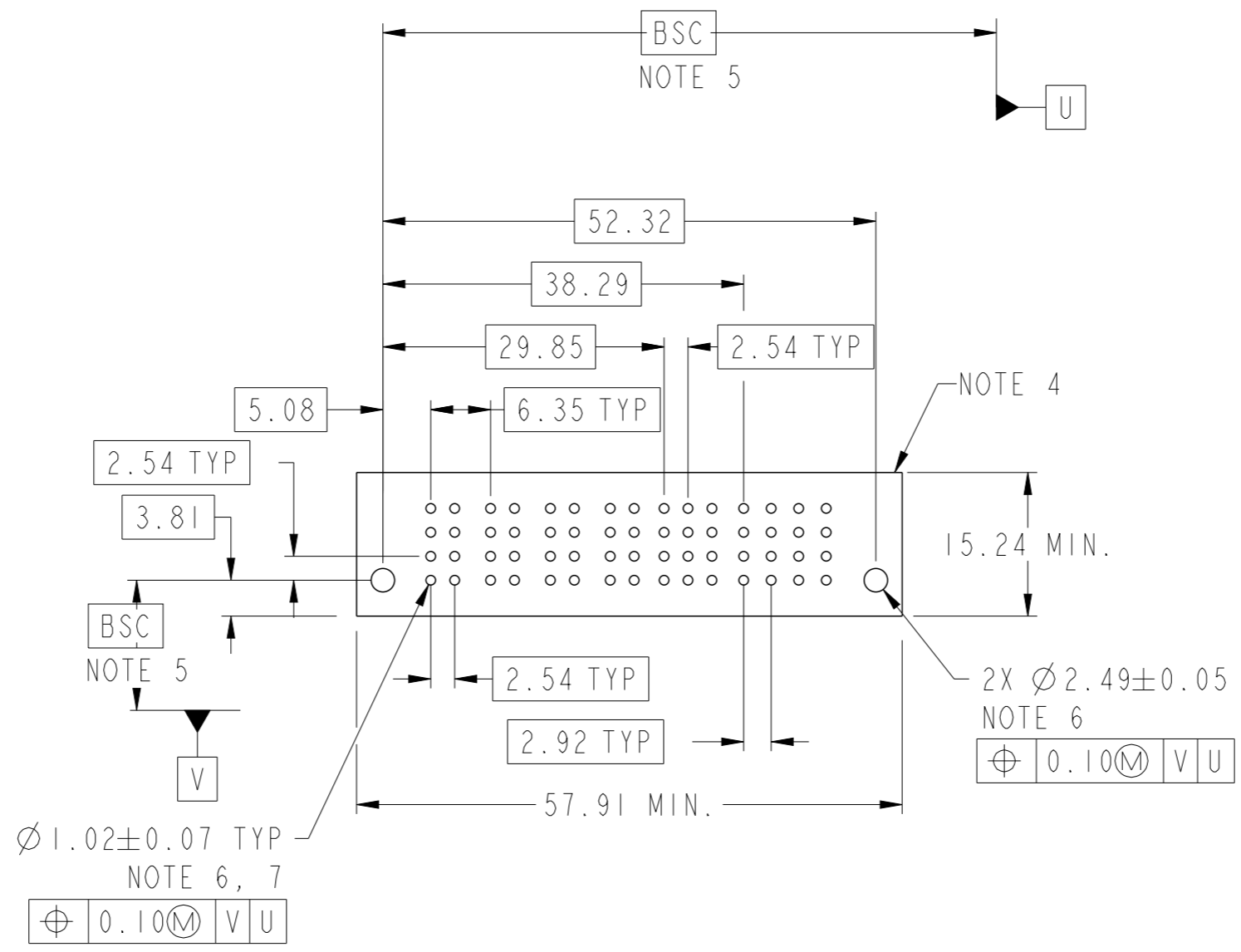
spec ref	*	dr	Peng-Bing Fu	2012/09/07	projection	MM	size	A3	scale	3:2
tolerance std	ASME Y14.5	eng	Rainbow Zhan	2014/08/15			ecn no	-	rel level	Released
TOLERANCES UNLESS OTHERWISE SPECIFIED		chr	Li-He	2014/08/14						
surface	linear	0.X	±0.5		4HP + 12S + 4LP		dwg no 10106128-4403001	rev A	Product - Customer Drw	
		0.XX	±0.25		VERTICAL STB HEADER				cat. no.	sheet 1 of 3
ASME Y14.5	angular	0°	±2°		www.fci.com				Printed: Aug 15, 2014	



Copyright FCI.

PRODUCT NO.	ROWS	HIGH POWER				S			LP				E2	
		E1	P1	P2	P3	P4	1	2	3	P5	P6	P7		P8
10106128-4403001LF	DCBA													

CODE	DESCRIPTION
E	STD SIGNAL CONTACT
H	MLBF SIGNAL CONTACT
HI	STD HIGH POWER CONTACT
HA	METAL HOLD DOWN
LJ	STD LOW POWER CONTACT
LM	MFBL LOW POWER CONTACT



Copyright FCI.

dr	Peng-Bing Fu	2012/09/07	projection	MM	size	A3	scale	3:2
eng	Rainbow Zhan	2014/08/15		← →	ecn no	-	rel level	Released
chr	Li-He	2014/08/14						
appr	Pei-Ming Zheng	2014/08/15	product family	PwrBlade+				
			title 4HP + 12S + 4LP VERTICAL STB HEADER		dwg no 10106128-4403001	rev A		
www.fci.com			cat. no.		Product - Customer Drw		sheet 2 of 3	

A

B

C

D

A

B

C

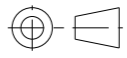
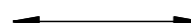

D

NOTES:

- 1) "FCI", PART NUMBER AND DATE CODE TO BE MARKED ON THIS SURFACE.
THE MARK CAN BE OMITTED IF THERE IS NOT ENOUGH SPACE ON THIS SURFACE.
- 2) MATERIALS:
-HOUSING - GLASS FILLED WITH HIGH TEMP THERMOPLASTIC, UL94V-0.
-SIGNAL CONTACT - COPPER ALLOY.
-POWER CONTACT - HIGH CONDUCTIVITY COPPER ALLOY.
- 3) PLATING SPECIFICATION REFER TO FCI 10116351
- 4) DENOTES CONNECTOR KEEP OUT ZONE.
- 5) DATUM AND BASIC DIMENSIONS WERE ESTABLISHED BY CUSTOMER.
- 6) ALL HOLE DIAMETERS ARE FINISHED HOLE SIZES.
- 7) 1.15±0.025MM DRILLED HOLE PLATED WITH 0.00762MM MIN Sn
OVER 0.0254-0.0762MM Cu PLATING TO ACHIEVE A 1.02±0.07MM HOLE.
- 8) PRODUCT SPECIFICATION REFER TO FCI GS-12-658.
APPLICATION SPECIFICATION REFER TO FCI GS-20-141.
PRODUCT PACKAGED IN TRAYS, REFER TO FCI GS-14-1502.



Copyright FCI.

dr	Peng-Bing Fu	2012/09/07	projection 	MM 	size	A3	scale	3:2
eng	Rainbow Zhan	2014/08/15			ecn no	-		
chr	Li-He	2014/08/14			product family	PwrBlade+	rel level	Released
appr	Pei-Ming Zheng	2014/08/15			 4HP + 12S + 4LP VERTICAL STB HEADER		dwg no 10106128-4403001	rev A
www.fci.com		cat. no.	Product - Customer Drw		sheet 3 of 3			