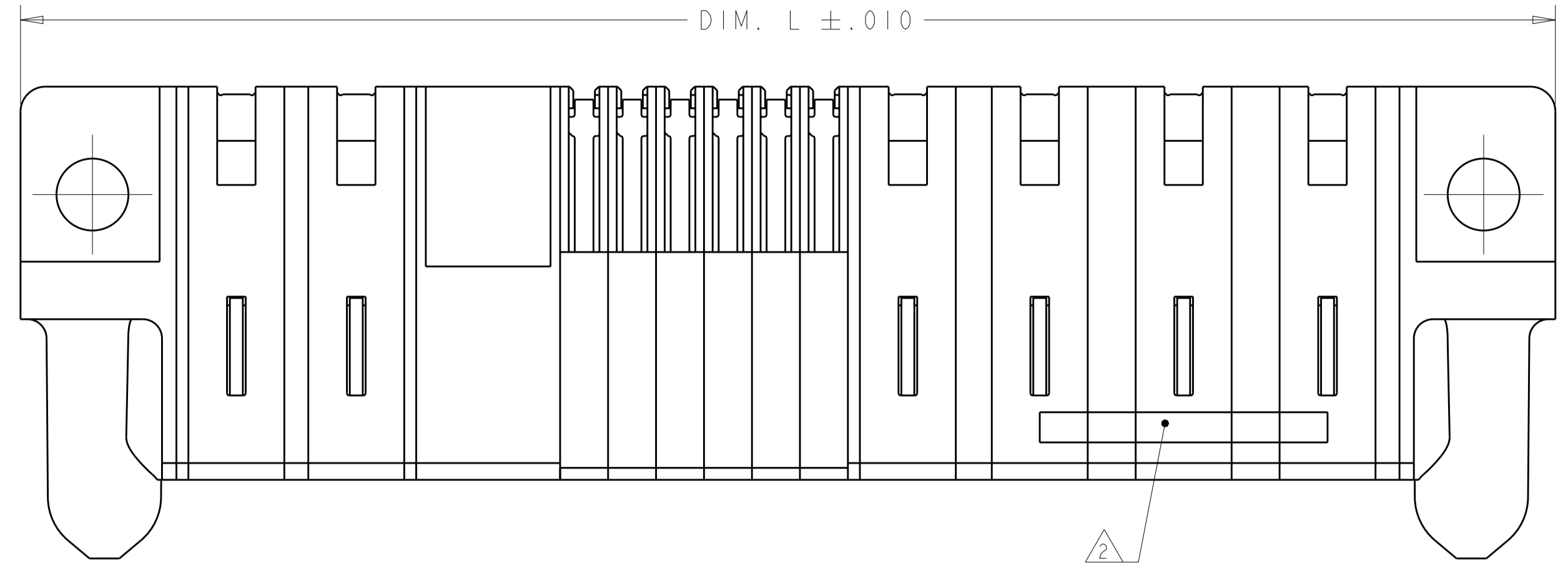
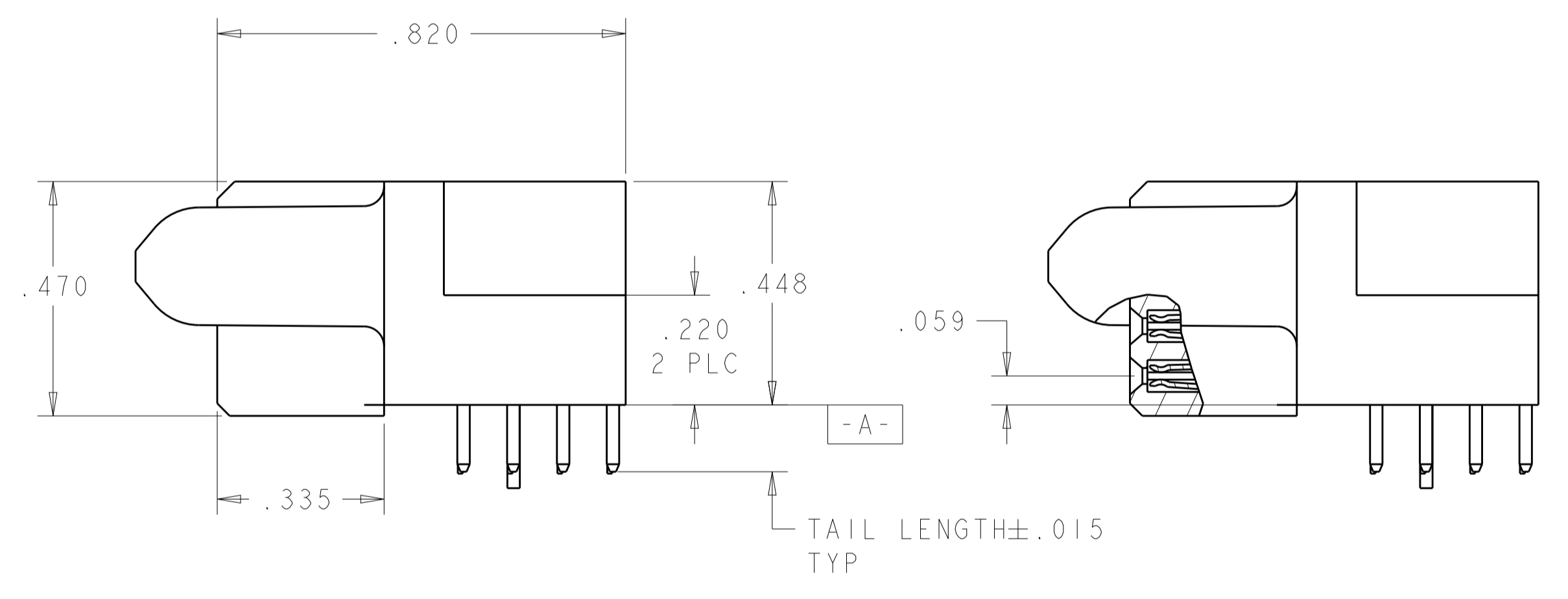
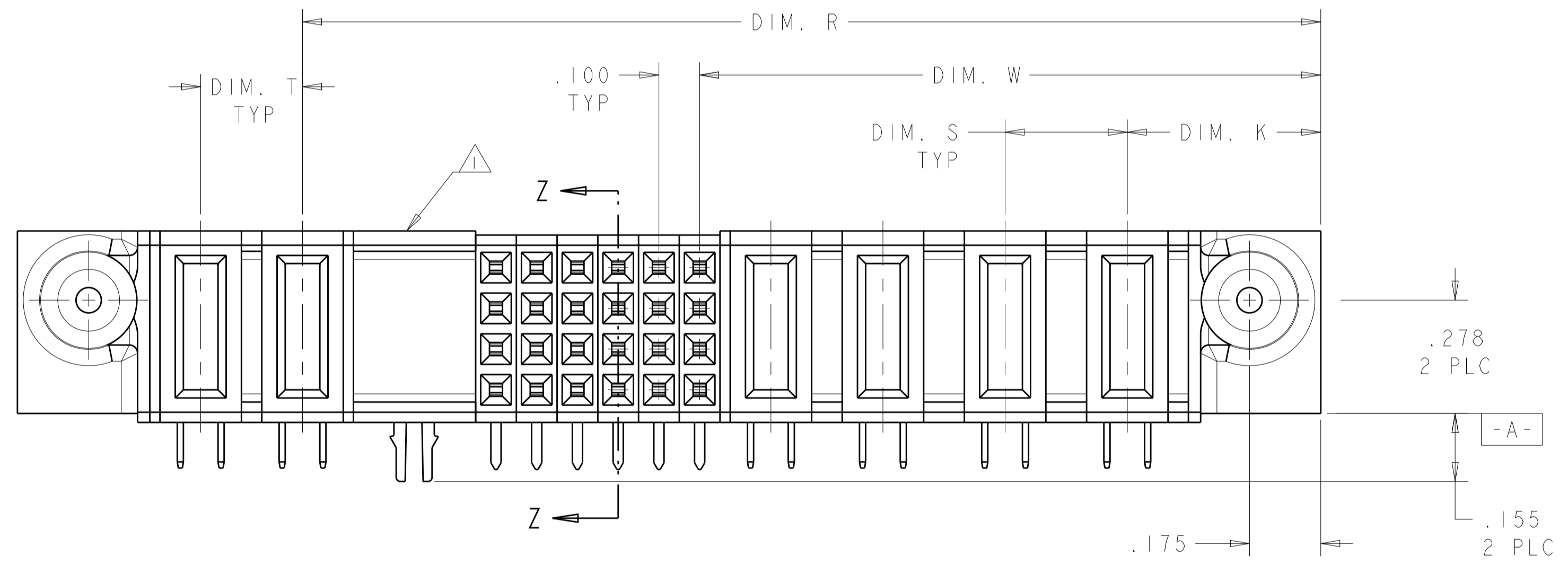


LOC	DIST	REV	DATE	BY	CHK	APPV
ES	00					

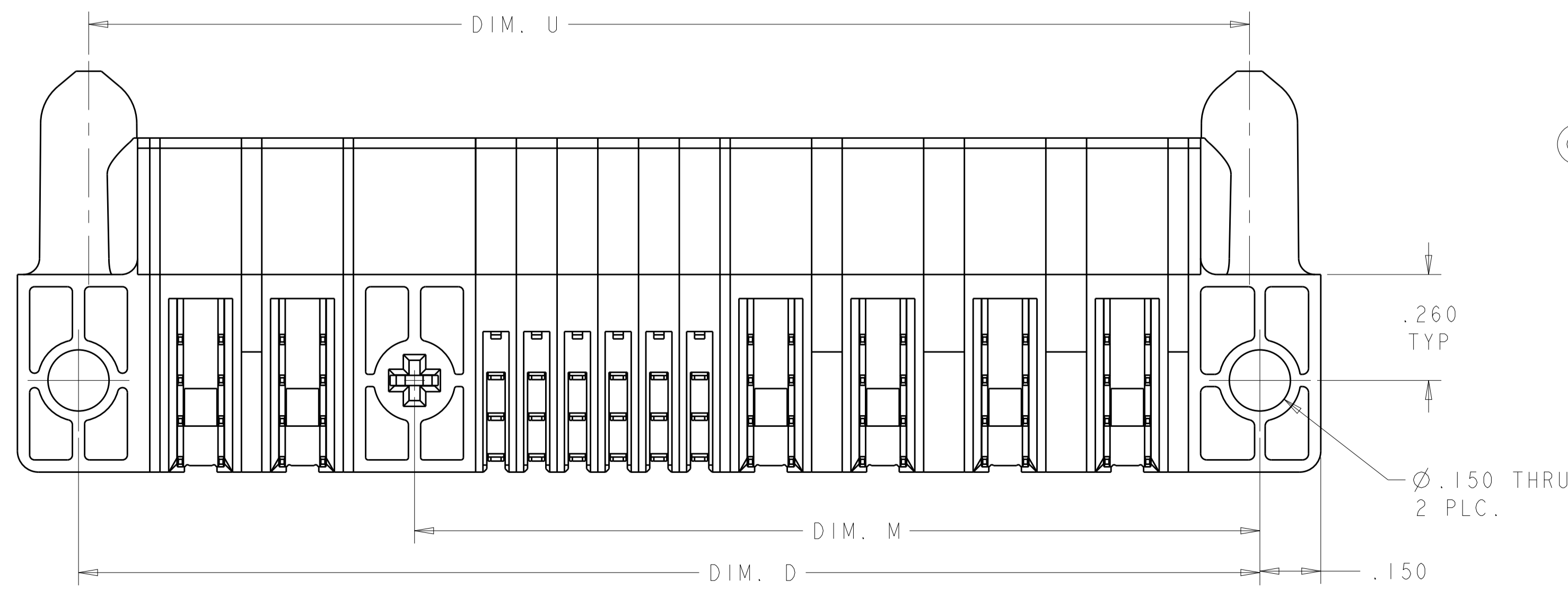
REVISIONS						
REV	DATE	BY	CHK	APPV	DESCRIPTION	
C4	22DEC2011	LW	SZ		REMOVE THE HOLD DOWN	
C5	29DEC2011	LW	SZ		REV PER ECR-11-026038	
C7	26MAR2013	CZ	SZ		ADDED NEW DASH NUMBER 1-4	



- 1 OPTIONAL CENTER MODULE, WITH .150 THRU HOLE OR HOLD DOWN FEATURE.
- 2 "AMP", PART NUMBER, AND DATE CODE TO BE MARKED IN AREA SHOWN. PARTS UNDER 2.00 LONG MAY BE MARKED ON BOTH SIDES.
- 3 MATERIAL: HOUSING - GLASS FILLED HIGH TEMP THERMO PLASTIC, UL94 V-O, BLACK.
SIGNAL CONTACT - COPPER ALLOY
POWER CONTACT - HIGH CONDUCTIVITY COPPER ALLOY
- 4 CONTACT PLATING: NOBLE METAL PLATED ON THE CONTACT FUNCTIONAL AREA OF POWER AND SIGNAL CONTACTS, AND Sn AT PCB INTERFACE.
- 5 MECHANICAL CONNECTOR KEEP OUT ZONE.
- 6 DATUM AND BASIC DIMENSIONS ESTABLISHED BY CUSTOMER.
- 7 PCB - ALL HOLE DIAMETERS ARE FINISHED HOLE SIZES
- 8 PCB - .0453±.0010 DRILLED HOLES PLATED WITH .0003 MIN Sn OVER .001 TO .003 Cu PLATING TO ACHIEVE A .040 DIA HOLE.



SECTION Z-Z



DIM. U	DIM. T	DIM. S	DIM. R	DIM. W	DIM. D	DIM. M	DIM. L	DIM. K	DESCRIPTION	PART NUMBER
4.125	.300	.250	2.775	1.900	4.175	-	4.475	.475	5ACP + 32S + 6P	1-6450370-4
1.600	-	-	1.500	.625	1.650	-	1.950	.450	1P + 32S + 1P	1-6450370-3
7.350	-	-	5.225	3.925	7.400	-	7.700	.475	12P + 48S + 8P	1-6450370-2
2.400	.200	.200	2.100	.825	2.450	-	2.750	.450	2P + 48S + 2P	1-6450370-1
1.300	-	-	1.200	.675	1.350	-	1.650	.450	1P + 24S + 1P	1-6450370-0
2.800	.300	.250	2.075	1.375	2.850	-	3.150	.450	4P + 24S + 3ACP	6450370-9
2.800	.250	.300	1.950	1.275	2.850	-	3.150	.475	3ACP + 24S + 4P	6450370-5
3.150	.250	.250	2.300	1.625	3.200	-	3.500	.450	5P+24S+4P	6450370-4
1.575	-	-	1.425	.700	1.625	-	1.925	.475	1P+24S+1P	6450370-3
2.500	.300	.250	1.800	1.125	2.550	-	2.850	.450	3P+24S+3ACP	6450370-2
2.550	.250	.300	2.200	1.525	2.600	-	2.900	.475	3ACP+1P+24S+2P	6450370-1

THIS DRAWING IS A CONTROLLED DOCUMENT.

DIMENSIONS: INCHES

TOLERANCES UNLESS OTHERWISE SPECIFIED:

0 PLC	±
1 PLC	±.01
2 PLC	±.005
3 PLC	±.002
4 PLC	±.001
ANGLES	±.002

MATERIAL: 3 FINISH: 4

OWN: R. GRZYBOWSKI, CHK: M. PERCHERKE, APV: M. PERCHERKE

PRODUCT SPEC: 108-1973, APPLICATION SPEC: 114-13038

WEIGHT: -

CUSTOMER DRAWING

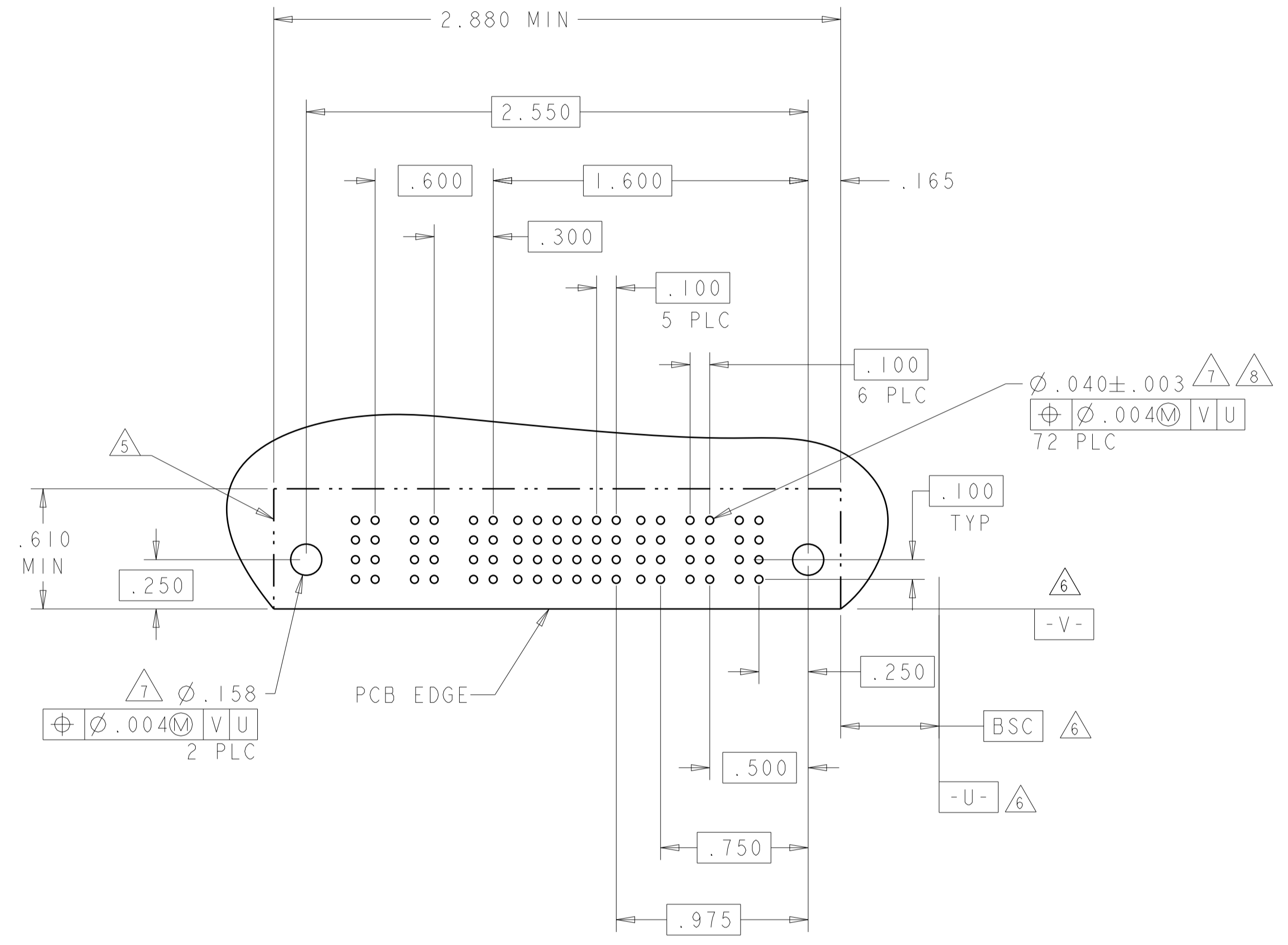
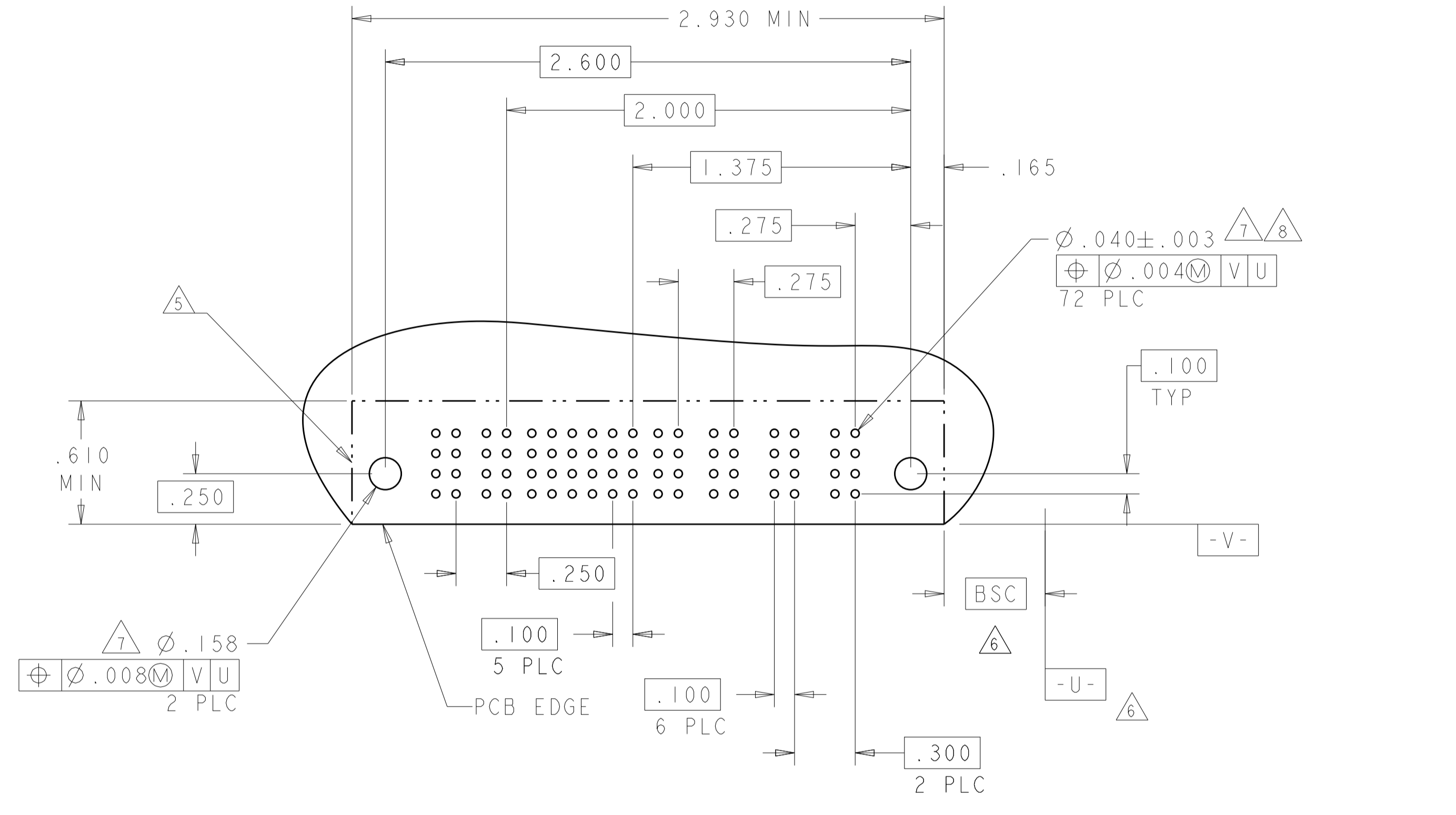
NAME: RIGHT ANGLE RECEPTACLE ASSEMBLY WITH GUIDES MULTI-BEAM XL

SIZE: A1, CAGE CODE: 6450370, DRAWING NO: 100779

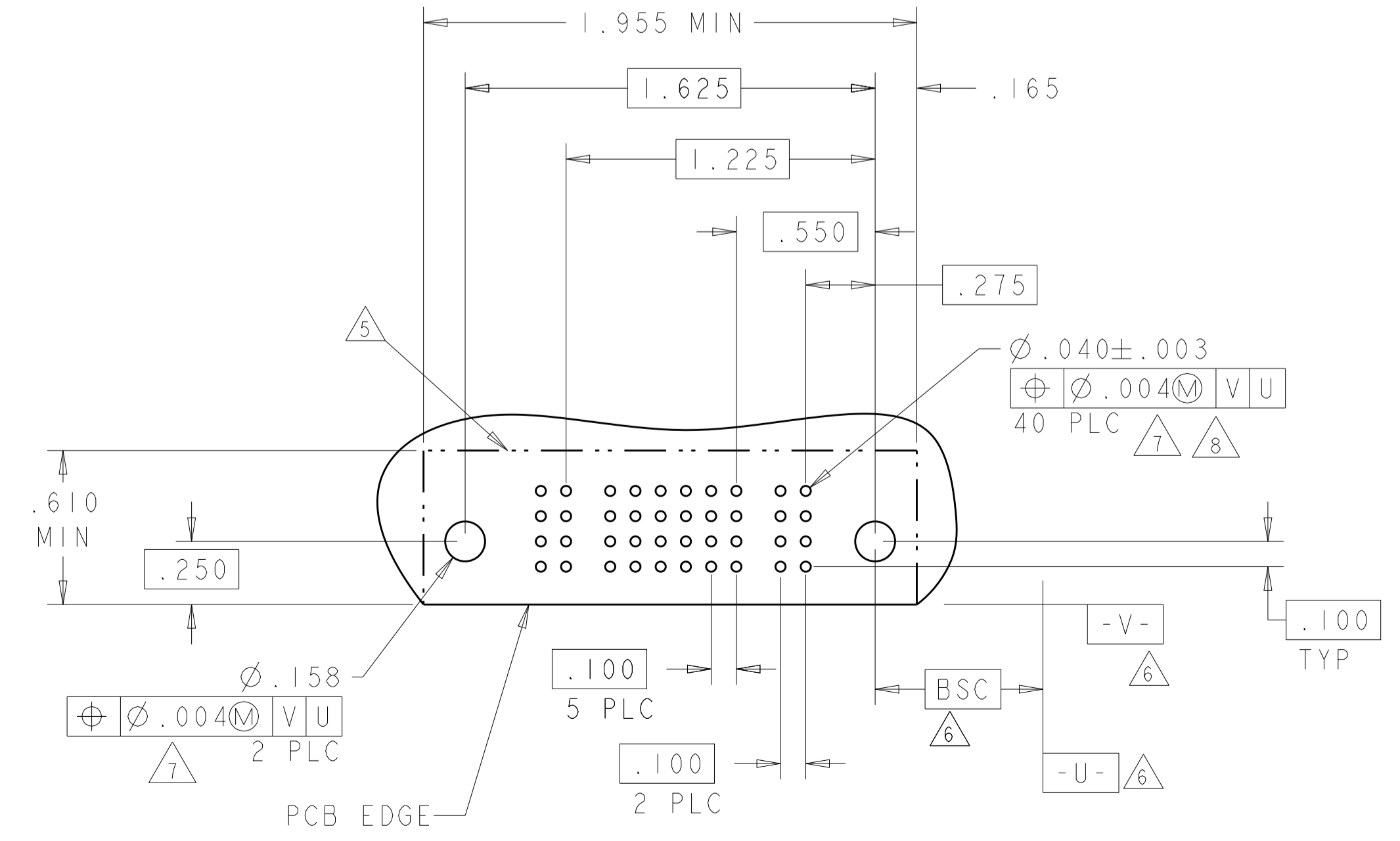
SCALE: 4:1, SHEET: 1 OF 6, REV: C7

PART NUMBER	ROWS	POWER		SIGNAL							POWER				
		P6	P5	6	5	4	3	2	1	P4	P3	P2	P1		
6450370-1	DCBA	RM	RM	H	H	H	H	H	H	H	H	RM	RA	RM	RM
				G	G	G	G	G	G	G					
				F	F	F	F	F	F	F					
3ACP + 1P + 24S + 2P															

PART NUMBER	ROWS	POWER			SIGNAL							POWER			
		P6	P5	P4	6	5	4	3	2	1	P3	P2	P1		
6450370-2	DCBA	RM	RM	RM	H	H	H	H	H	H	H	H	RM	RM	RA
					G	G	G	G	G	G	G				
					F	F	F	F	F	F	F				
3P + 24S + 3ACP															



PART NUMBER	ROWS	POWER		SIGNAL							POWER	
		P2	6	5	4	3	2	1	P1	P1	P2	
6450370-3	DCBA	RM	RA	H	H	H	H	H	H	H	H	RA
				G	G	G	G	G	G	G		
				F	F	F	F	F	F	F		
IP + 24S + IP												



CODE	TAIL LENGTH	DESCRIPTION
RB	.090	MFBL
RN	.090	STD
RA	.135	MFBL
RM	.135	STD

POWER CONTACT

CODE	TAIL LENGTH	ROW
L	.090	D
K	.090	C
J	.090	B
I	.090	A
H	.135	D
G	.135	C
F	.135	B
E	.135	A

SIGNAL CONTACT

THIS DRAWING IS A CONTROLLED DOCUMENT. OWN: R. GRZYBOWSKI, DBAPROS; CHK: M. PERCHERKE, DBAPROS; APVD: M. PERCHERKE.

STE TE Connectivity

RIGHT ANGLE RECEPTACLE ASSEMBLY WITH GUIDES MULTI-BEAM XL

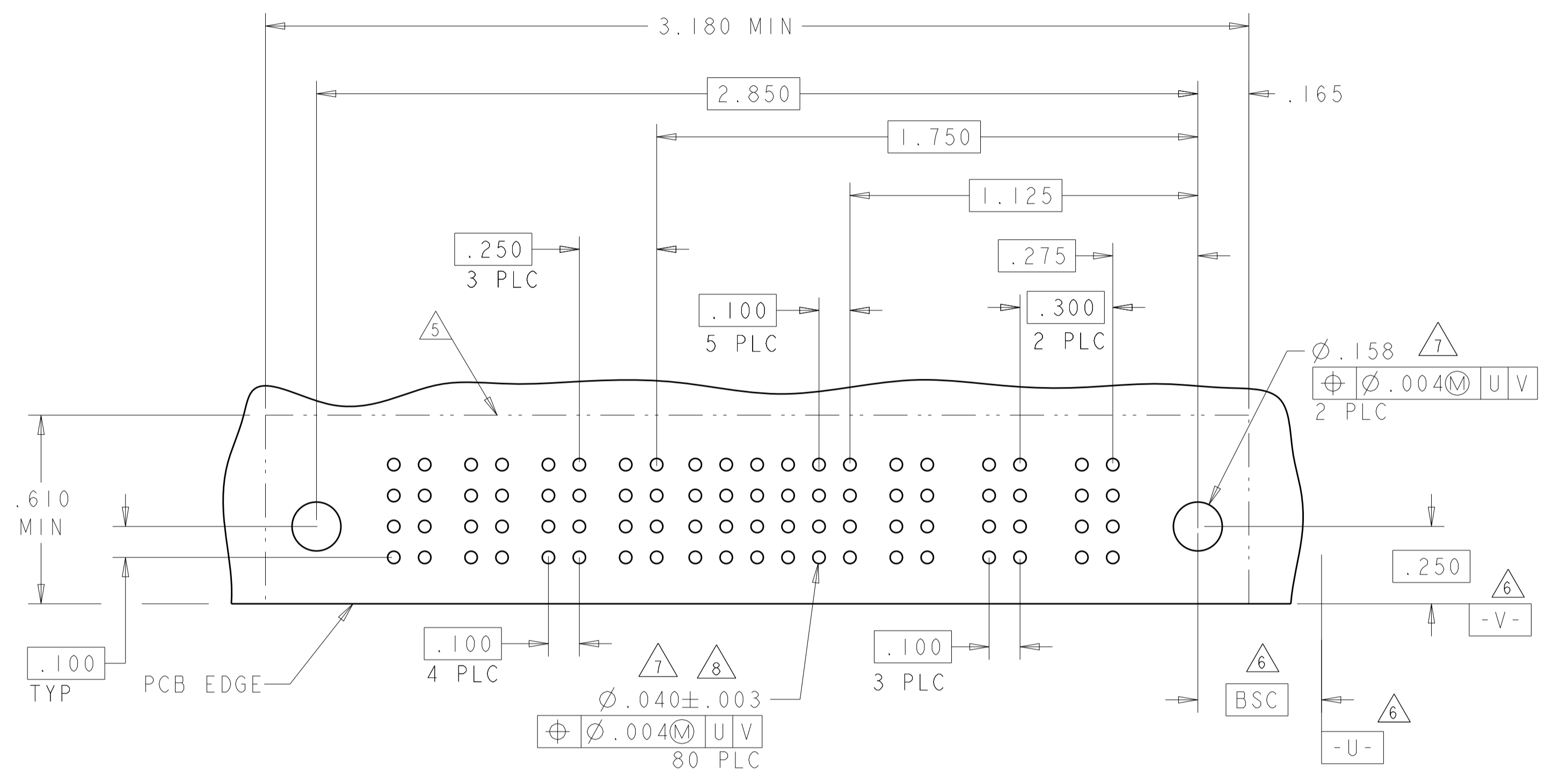
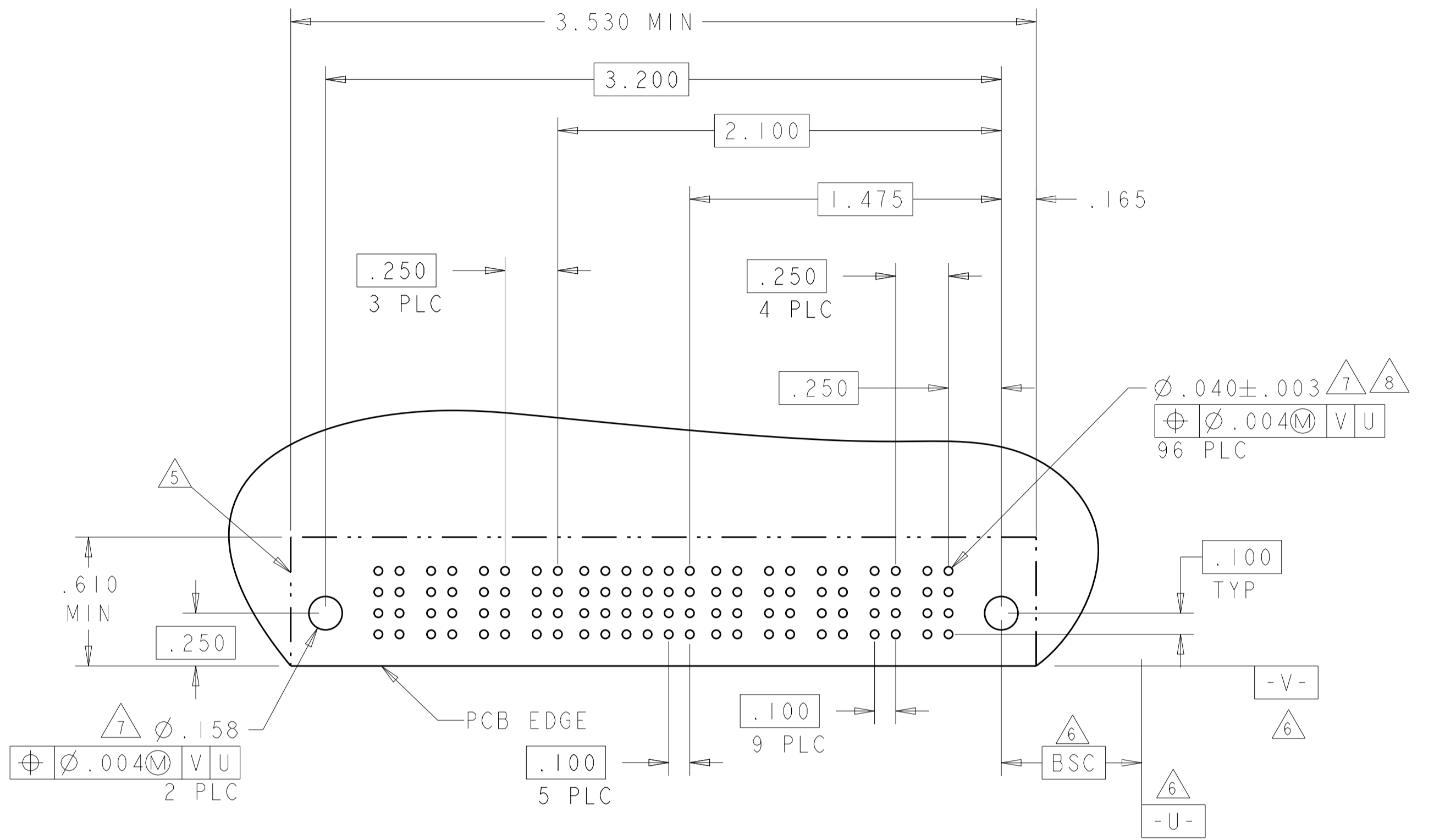
SIZE: 108-1973 APPLICATION SPEC; WEIGHT: 114-13038; SCALE: 4:1 SHEET 2 OF 6 REV: C7

PART NUMBER	ROWS	POWER			SIGNAL						POWER					
		P9	P8	P7	P6	6	5	4	3	2	1	P5	P4	P3	P2	P1
6450370-4	D C B A	RN	RN	RN	RN	K	K	K	K	K	K	RN	RN	RN	RN	RB

5P + 24S + 4P

PART NUMBER	ROWS	POWER			SIGNAL						POWER			
		P7	P6	P5	P4	6	5	4	3	2	1	P3	P2	P1
6450370-5	D C B A	RA	RA	RA	RA	H	H	H	H	H	H	RA	RM	RM

3ACP + 24S + 4P

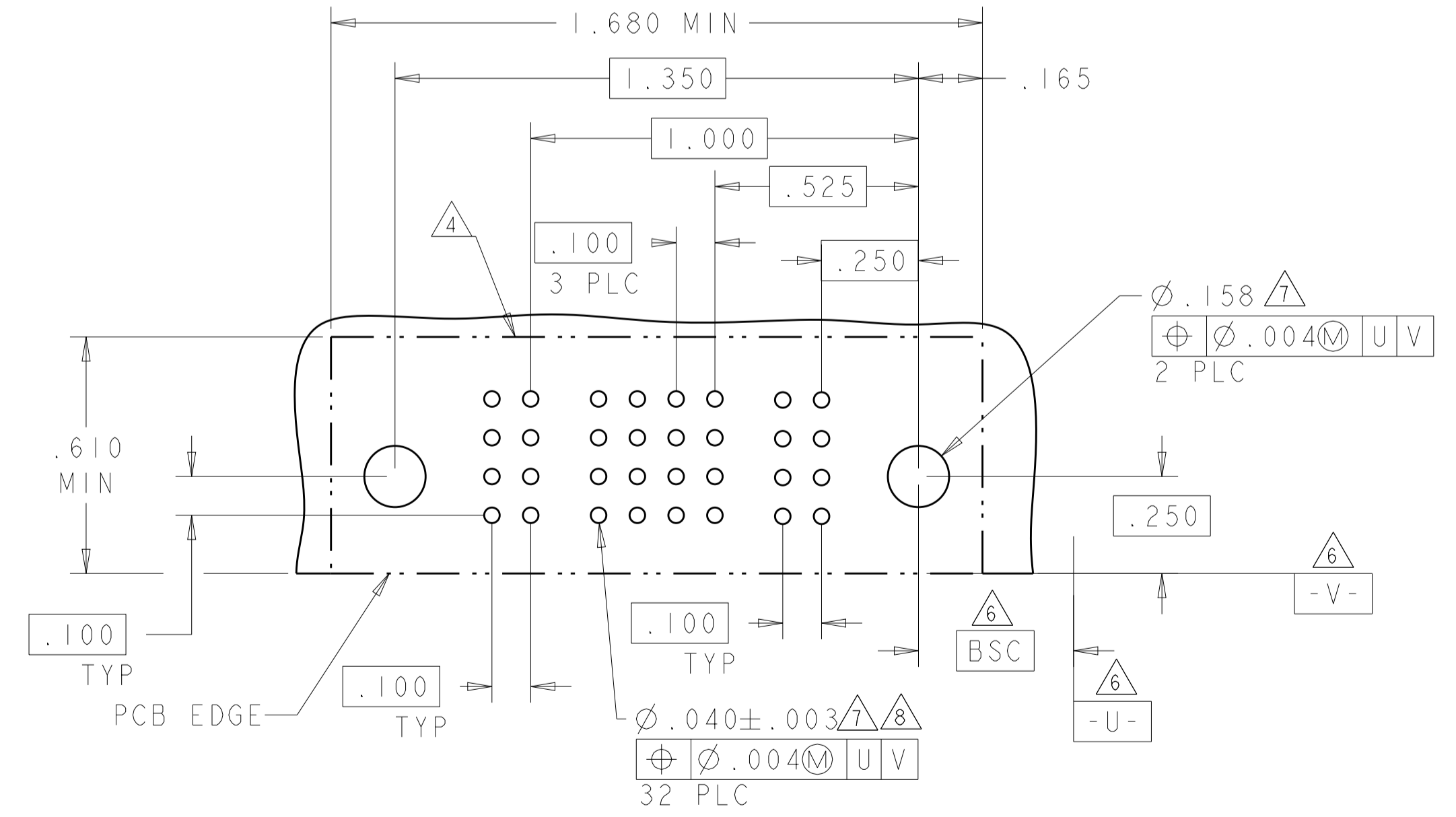
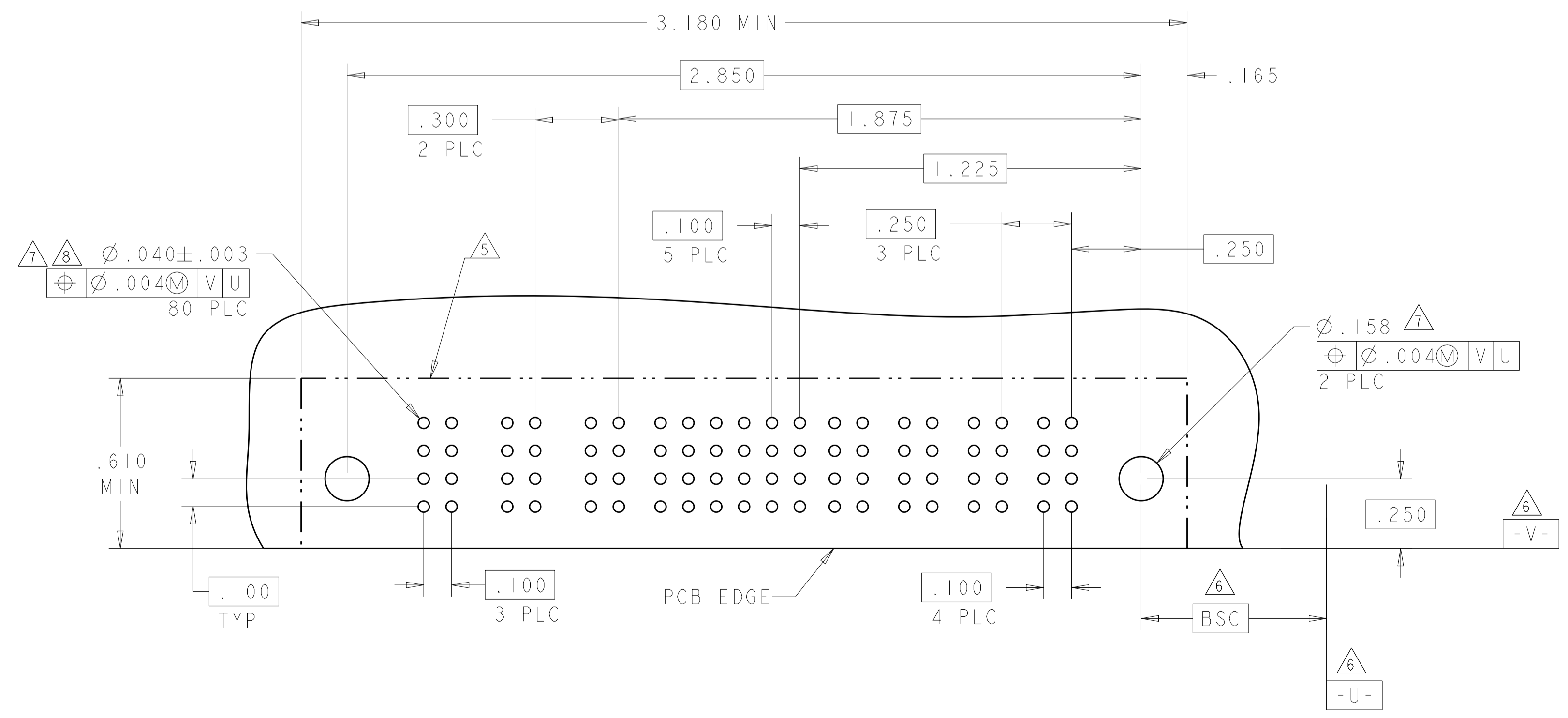


PART NUMBER	ROWS	POWER			SIGNAL						POWER		
		P7	P6	P5	6	5	4	3	2	1	P4	P3	P2
6450370-9	D C B A	RM	RM	RA	H	H	H	H	H	H	RM	RM	RM

4P + 24S + 3ACP

PART NUMBER	ROWS	POWER	SIGNAL			POWER	
		P2	4	3	2	1	P1
1-6450370-0	D C B A	RM	H	H	H	H	RA

IP + 16S + IP



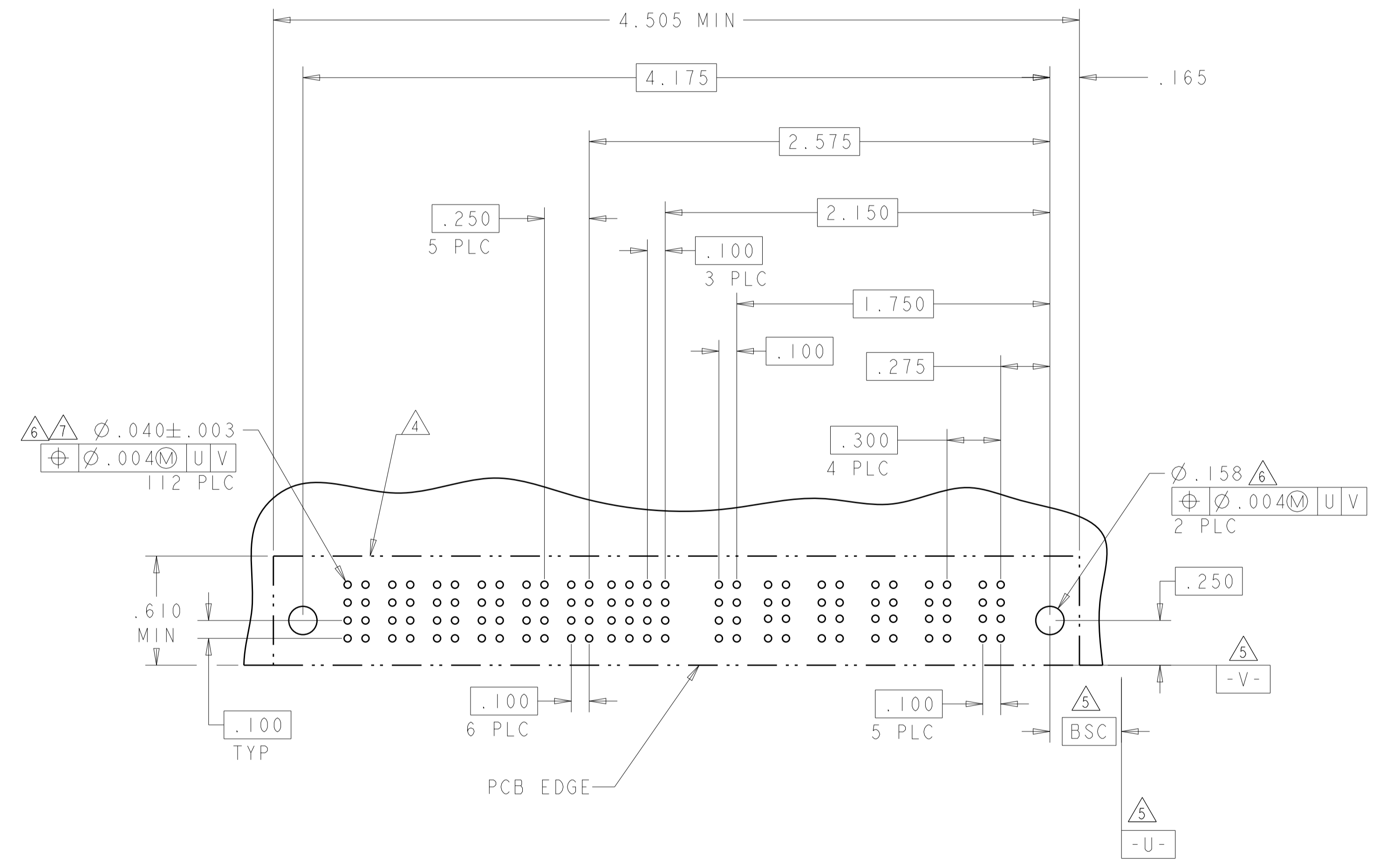
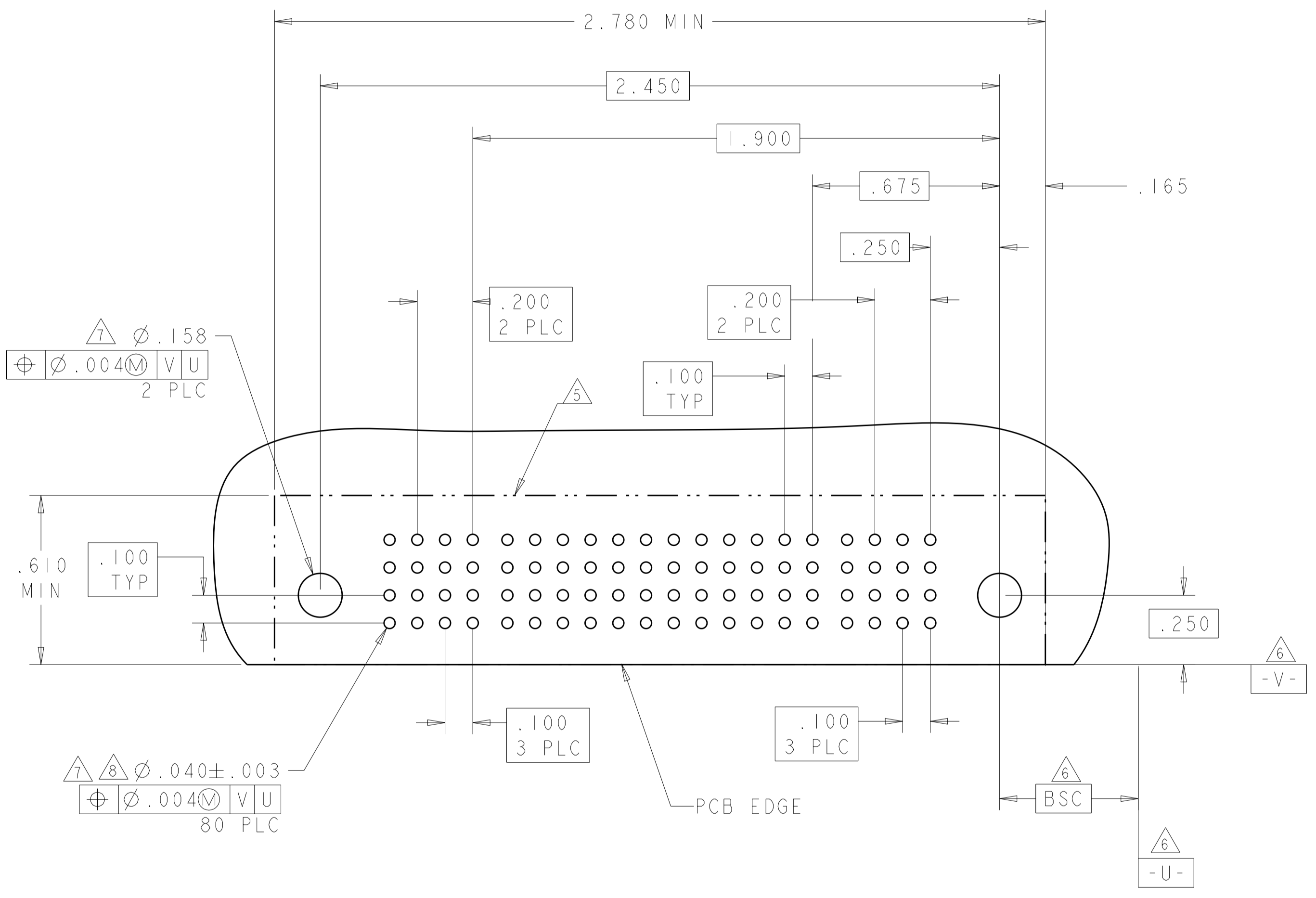
THIS DRAWING IS A CONTROLLED DOCUMENT.		OWN: R. GRZYBOWSKI	OBAPROS		TE Connectivity
DIMENSIONS: INCHES		CHK: M. PERCHERKE	OBAPROS		NAME: RIGHT ANGLE RECEPTACLE ASSEMBLY WITH GUIDES MULTI-BEAM XL
TOLERANCES UNLESS OTHERWISE SPECIFIED:		APVD: M. PERCHERKE		PRODUCT SPEC: 108-1973	
0 PLC ±.01		APPLICATION SPEC: 114-13038		SIZE: A100779	
1 PLC ±.01		WEIGHT: -		CAGE CODE: -	
2 PLC ±.01		CUSTOMER DRAWING		DRAWING NO: 6450370	
3 PLC ±.01		SCALE: 4:1		SHEET 3 OF 6	
4 PLC ±.005		REV: C7		APPROVED: -	
5 PLC ±.002					
ANGLES ±.0020					
FINISH: -					

PART NUMBER	ROWS	POWER		SIGNAL											POWER			
		P4	P3	12	11	10	9	8	7	6	5	4	3	2	1	P2	P1	
1-6450370-1	D	RM	RA	H	H	H	H	H	H	H	H	H	H	H	H	RA	RM	
	C			G	G	G	G	G	G	G	G	G	G	G	G			
	B			F	F	F	F	F	F	F	F	F	F	F	F	F		
	A			E	E	E	E	E	E	E	E	E	E	E	E	E		
2P + 48S + 2P																		

PART NUMBER	ROWS	POWER						SIGNAL						POWER										
		P11	P10	P9	P8	P7	P6	8	7	6	5	4	3	2	1	P5	P4	P3	P2	P1				
1-6450370-4	D	RM	RM	RM	RM	RM	RM	H	H	H	H					H	H	RM	RM	RA	RM	RM		
	C							G	G	G	G	G	G	G	G	G	G						G	G
	B							F	F	F	F	F	F	F	F	F	F						F	F
A	E	E	E	E	E	E	E	E	E	E	E	E	E	E										
5ACP + 32S + 6P																								

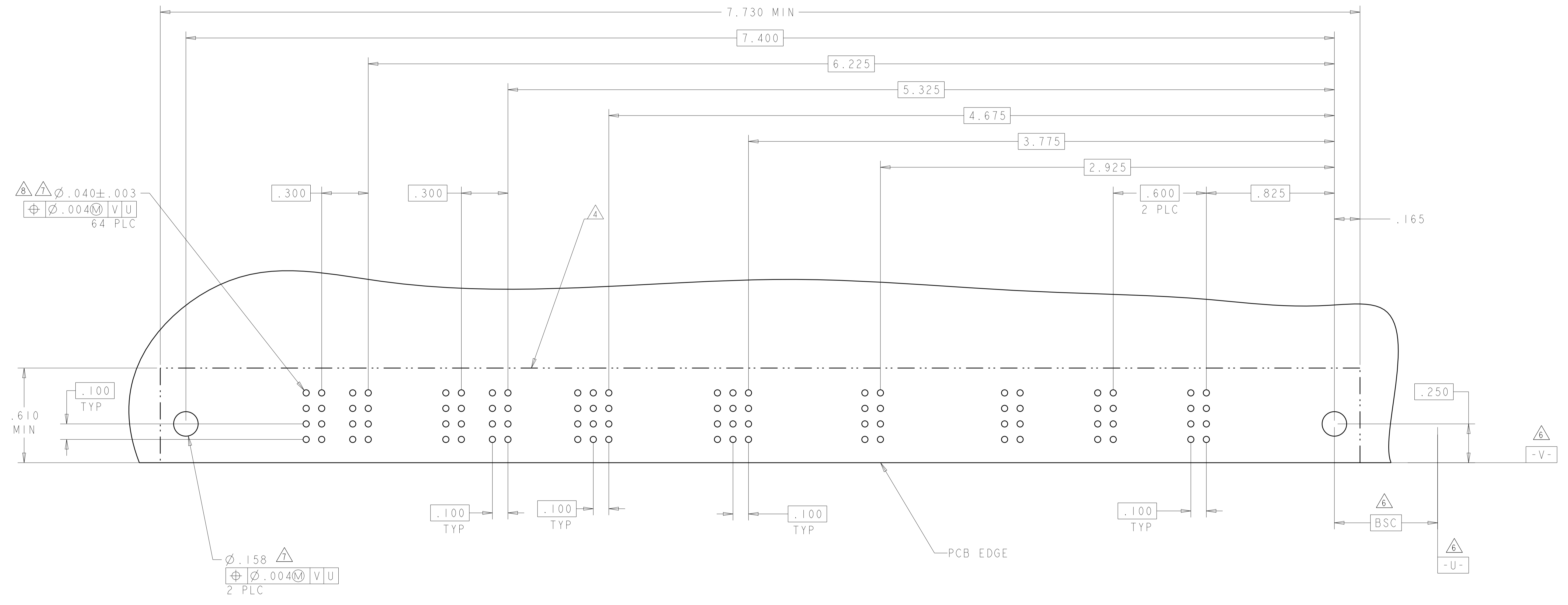
NO CONTACTS LOADED

C7



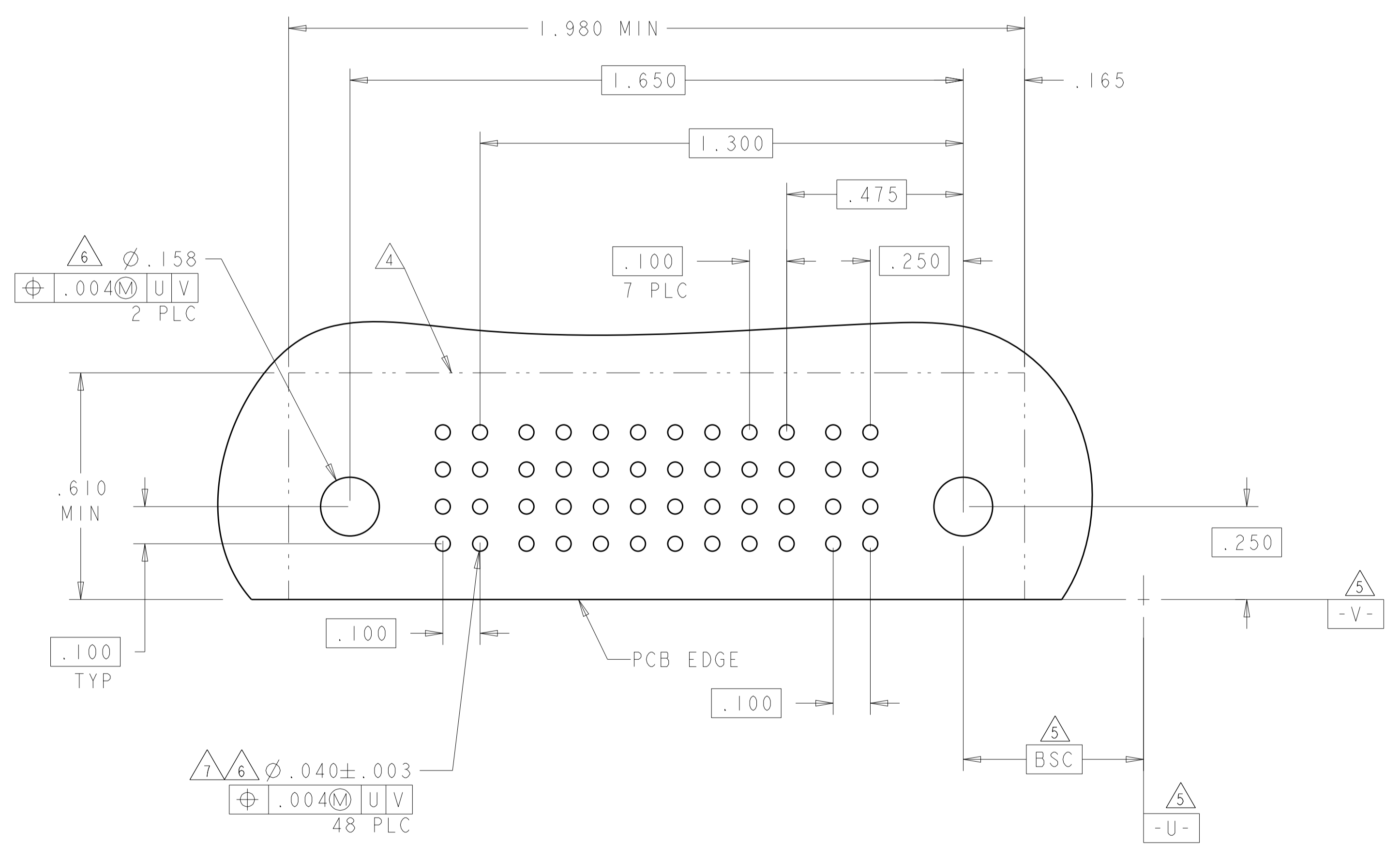
THIS DRAWING IS A CONTROLLED DOCUMENT.		DNM: R. GRZYBOWSKI 08APROS	TE Connectivity
DIMENSIONS: INCHES		CHK: M. PERCHERKE 08APROS	
TOLERANCES UNLESS OTHERWISE SPECIFIED:		APVD: M. PERCHERKE	NAME: RIGHT ANGLE RECEPTACLE ASSEMBLY WITH GUIDES MULTI-BEAM XL
0 PLC ±.01		PRODUCT SPEC: 108-1973	SIZE: A1
1 PLC ±.01		APPLICATION SPEC: 114-13038	CAGE CODE: 6450370
2 PLC ±.01		WEIGHT: -	RESTRICTED TO: -
3 PLC ±.005		CUSTOMER DRAWING	SCALE: 4:1 SHEET 4 OF 6 REV: C7
4 PLC ±.0020			
ANGLES: ±.2°			
FINISH: -			

PART NUMBER	ROWS	POWER								SIGNAL											POWER														
		P20	P19	P18	P17	P16	P15	P14	P13	12	11	10	9	8	7	6	5	4	3	2	1	P12	P11	P10	P9	P8	P7	P6	P5	P4	P3	P2	P1		
I-6450370-2	D C B A									H	H	H									H	H	H												
				RM	RM			RM	RM	G	G	G									G	G	G			RA				RM		RM		RM	
										F	F	F										F	F	F											
										E	E	E										E	E	E											
12P + 48S + 8P																																			



THIS DRAWING IS A CONTROLLED DOCUMENT.		DWN: R. GRZYBOWSKI 08APR05	 TE Connectivity
DIMENSIONS: INCHES		CHK: M. PERCHERKE 08APR05	
TOLERANCES UNLESS OTHERWISE SPECIFIED:		APVD: M. PERCHERKE	NAME: RIGHT ANGLE RECEPTACLE ASSEMBLY WITH GUIDES MULTI-BEAM XL
0 PLC ± 1 PLC ±.01 2 PLC ±.01 3 PLC ±.005 4 PLC ±.0020 ANGLES ±.2° FINISH -		PRODUCT SPEC: 108-1973	SIZE: A1
MATERIAL: -		APPLICATION SPEC: 114-13038	CAGE CODE: C=6450370
WEIGHT: -		RESTRICTED TO: -	SCALE: 4:1
CUSTOMER DRAWING		DATE: -	SHEET 5 OF 6
		REV: C7	

PART NUMBER	ROWS	POWER		SIGNAL								POWER	
		P2	8	7	6	5	4	3	2	1	PI		
1-6450370-3	D C B A	RA	H	H	H	H	H	H	H	H	H	RM	
			G	G	G	G	G	G	G	G			
			F	F	F	F	F	F	F	F			
			E	E	E	E	E	E	E	E			
IP + 32S + IP		(C5)											



THIS DRAWING IS A CONTROLLED DOCUMENT.		DWN R. GRZYBOWSKI	08APR05	STE TE Connectivity														
DIMENSIONS: INCHES		CHK M. PERCHERKE	08APR05															
TOLERANCES UNLESS OTHERWISE SPECIFIED:		APVD M. PERCHERKE	-	NAME RIGHT ANGLE RECEPTACLE ASSEMBLY WITH GUIDES MULTI-BEAM XL														
<table border="1"> <tr><td>0 PLC</td><td>±</td></tr> <tr><td>1 PLC</td><td>±.01</td></tr> <tr><td>2 PLC</td><td>±.01</td></tr> <tr><td>3 PLC</td><td>±.005</td></tr> <tr><td>4 PLC</td><td>±.0020</td></tr> <tr><td>ANGLES</td><td>±.2°</td></tr> <tr><td>FINISH</td><td>-</td></tr> </table>		0 PLC	±	1 PLC	±.01	2 PLC	±.01	3 PLC	±.005	4 PLC	±.0020	ANGLES	±.2°	FINISH	-	PRODUCT SPEC 108-1973	APPLICATION SPEC 114-13038	SIZE A100779
0 PLC	±																	
1 PLC	±.01																	
2 PLC	±.01																	
3 PLC	±.005																	
4 PLC	±.0020																	
ANGLES	±.2°																	
FINISH	-																	
MATERIAL -	FINISH -	WEIGHT -	CAGE CODE C=6450370	RESTRICTED TO -														
CUSTOMER DRAWING			SCALE 4:1	SHEET 6 OF 6														
			REV C7															