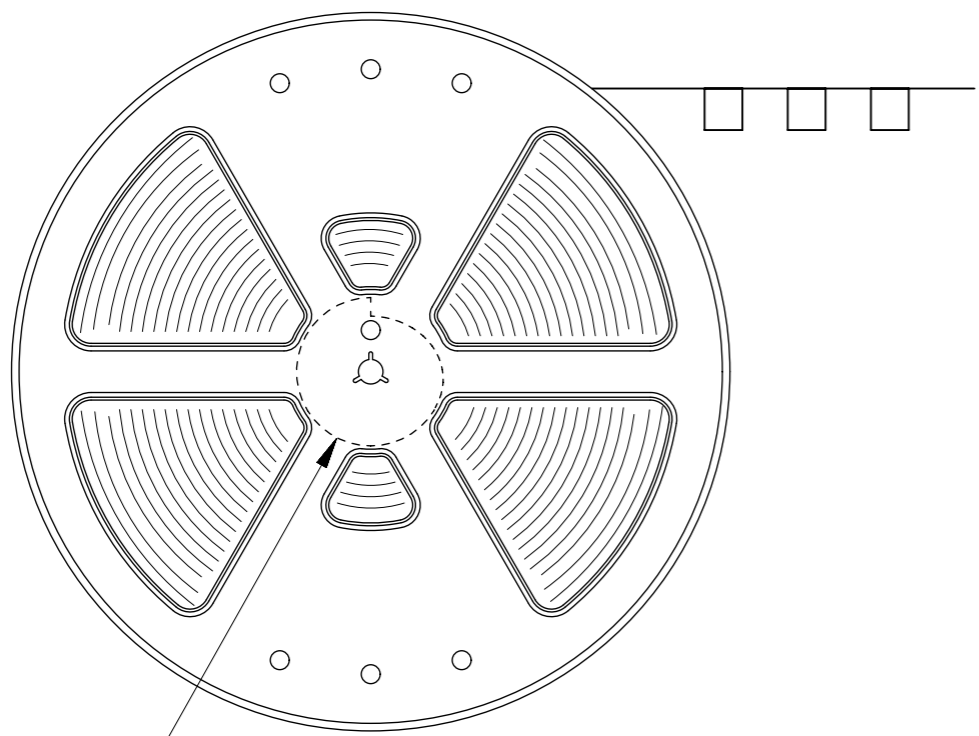
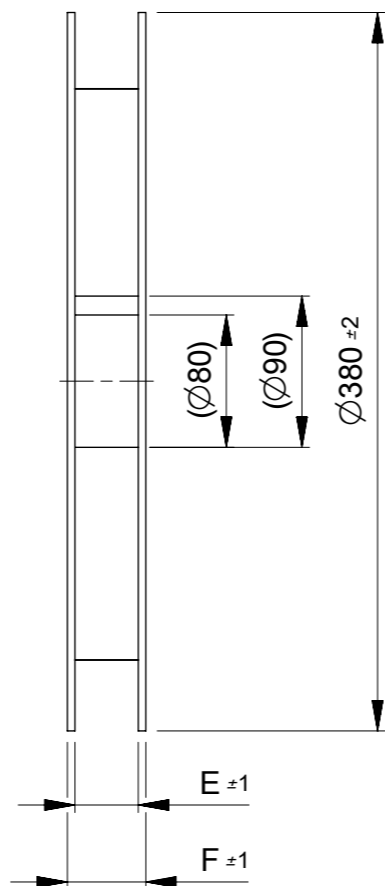


引き出し方向  
PULL OUT DIRECTION

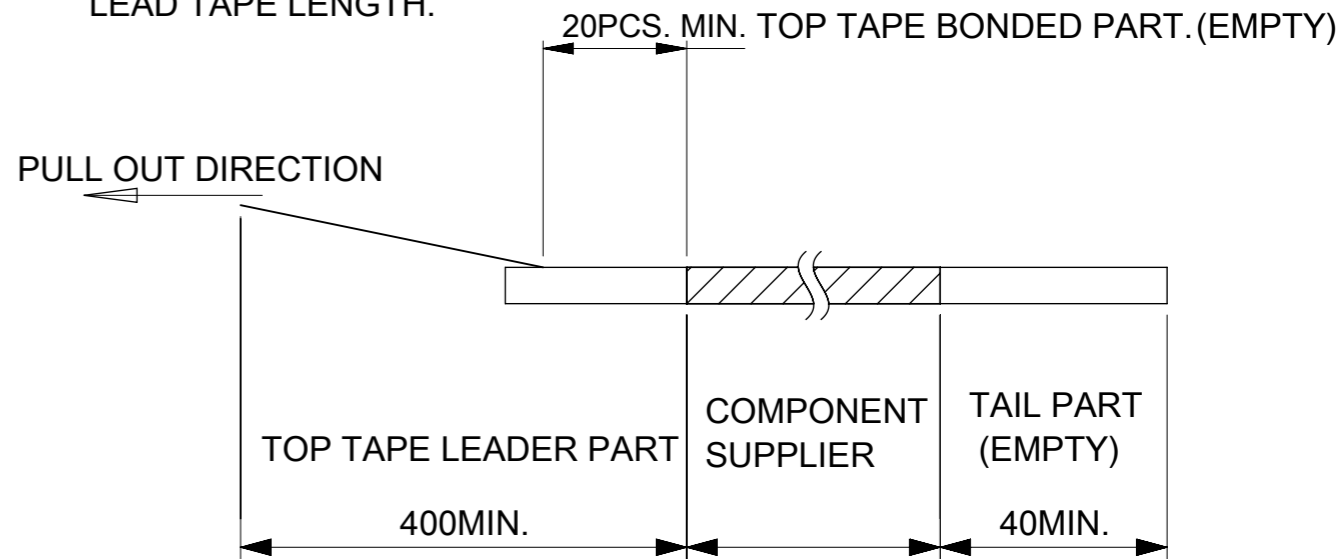


"D"

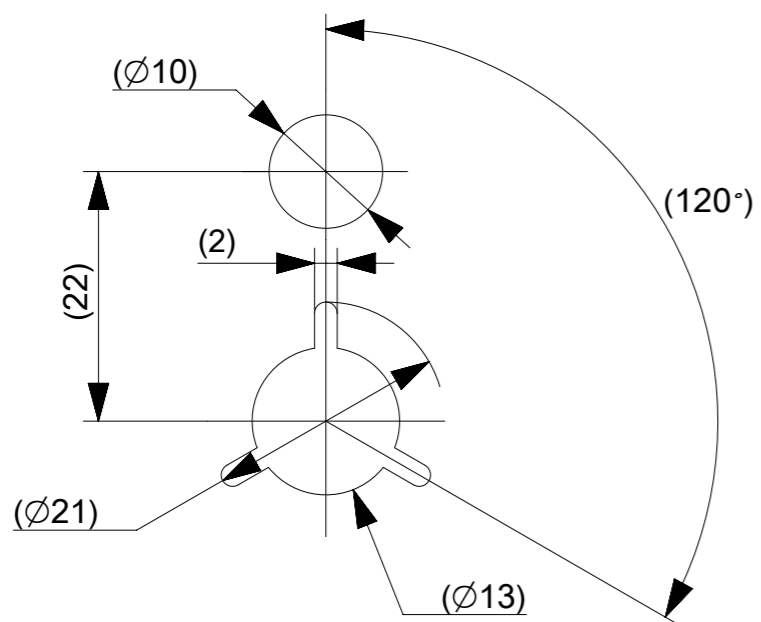


NOTES

1. DETAILED DIMENSION OF THE CONNECTOR, SEE PRODUCT DRAWING.
2. NUMBER OF CONNECTORS : 440 PCS/REEL
3. LEAD TAPE LENGTH.

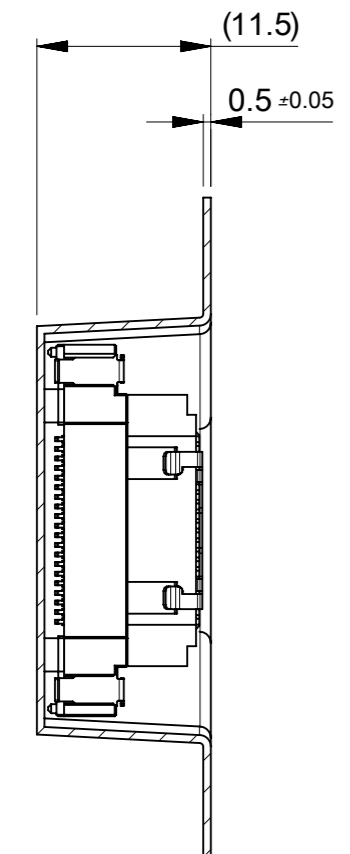


4. TOP TAPE PEEL FORCE IS DEFINED BY IEC60286-3
5. MATERIAL  
CARRIER TAPE :POLYSTYRENE  
TOP TAPE :PET , OTHER  
REEL :POLYSTYRENE(PS)(RECYCLE MATERIAL CONTAINED)

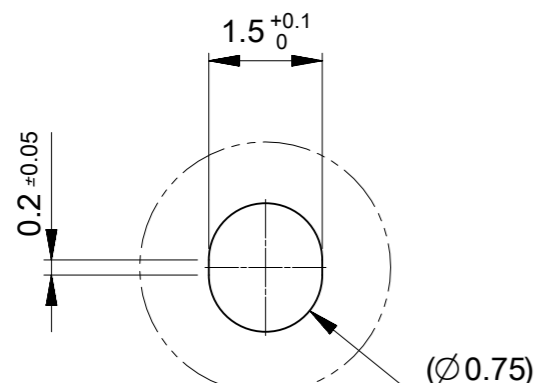


DETAIL "D"

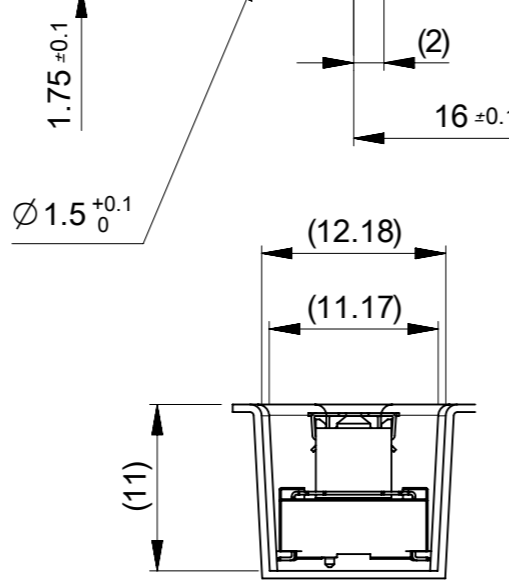
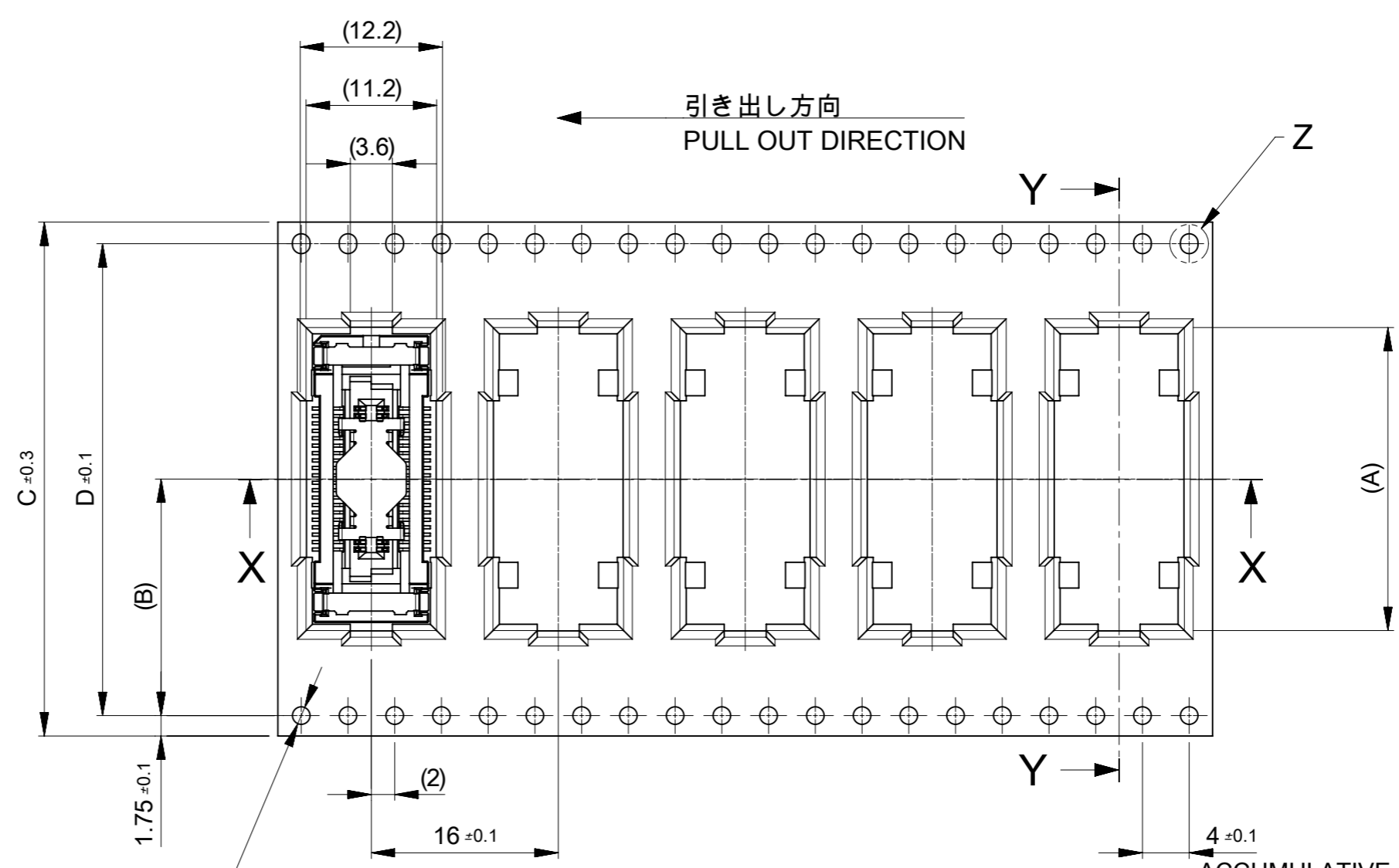
THIS DRAWING CONTAINS INFORMATION THAT IS PROPRIETARY TO MOLEX ELECTRONIC TECHNOLOGIES, LLC AND SHOULD NOT BE USED WITHOUT WRITTEN PERMISSION										
DIMENSION UNITS	SCALE	CURRENT REV DESC:					<b>molex</b>			
mm	1:1									
GENERAL TOLERANCES (UNLESS SPECIFIED)							0.635FLOATING B TO B CONN. REC EMBS PKG			
ANGULAR TOL ± °							PRODUCT CUSTOMER DRAWING			
4 PLACES	±	EC NO: 639800				DOCUMENT NUMBER		DOC TYPE	DOC PART	REVISION
3 PLACES	±	DRWN: SSKIM05	2020/06/18			2091680000-SD		PSD	000	A2
2 PLACES	±	CHK'D: HSHIMYOYAMA	2020/06/18							
1 PLACE	±	APPR: SHOSHIKAWA	2020/06/18							
0 PLACES	±	INITIAL REVISION:								
		DRWN: SSKIM05	2020/04/16							
		APPR: SHOSHIKAWA	2020/05/11							
DRAFT WHERE APPLICABLE MUST REMAIN WITHIN DIMENSIONS		THIRD ANGLE PROJECTION	DRAWING	SERIES	MATERIAL NUMBER	CUSTOMER		SHEET NUMBER		
			A3-SIZE	209168	SEE TABLE	GENERAL		1 OF 2		



SECTION Y-Y



DETAIL Z  
SCALE 10:1



SECTION X-X

61.4	57.4	52.4	56	26.2	37.565	2091680801	80
					31.215	2091680601	60
49.4	45.4	40.4	44	20.2	24.865	2091680401	40
F	E	D	C	B	(A)	ORDER No.	CIRCUIT

CONNECTOR SERIES No. 2091681\*\*1

THIS DRAWING CONTAINS INFORMATION THAT IS PROPRIETARY TO MOLEX ELECTRONIC TECHNOLOGIES, LLC AND SHOULD NOT BE USED WITHOUT WRITTEN PERMISSION		CURRENT REV DESC:		<b>molex</b>			
DIMENSION UNITS	SCALE	EC NO: 639800					
mm	1:1	DRWN: SSKIM05 2020/06/18		PRODUCT CUSTOMER DRAWING			
GENERAL TOLERANCES (UNLESS SPECIFIED)		CHK'D: HSHIMYOYAMA 2020/06/18		DOCUMENT NUMBER			
ANGULAR TOL ± °		APPR: SHOSHIKAWA 2020/06/18		2091680000-SD		DOC TYPE	DOC PART
4 PLACES ±		INITIAL REVISION:		2020/04/16		PSD	000
3 PLACES ±		DRWN: SSKIM05		2020/05/11		A2	
2 PLACES ±		APPR: SHOSHIKAWA				SHEET NUMBER	
1 PLACE ±						2 OF 2	
0 PLACES ±							
DRAFT WHERE APPLICABLE MUST REMAIN WITHIN DIMENSIONS		THIRD ANGLE PROJECTION	DRAWING	SERIES	MATERIAL NUMBER	CUSTOMER	SHEET NUMBER
			A3-SIZE	209168	SEE TABLE	GENERAL	2 OF 2

10

9

8

7

6

5

4

3

2

1

F

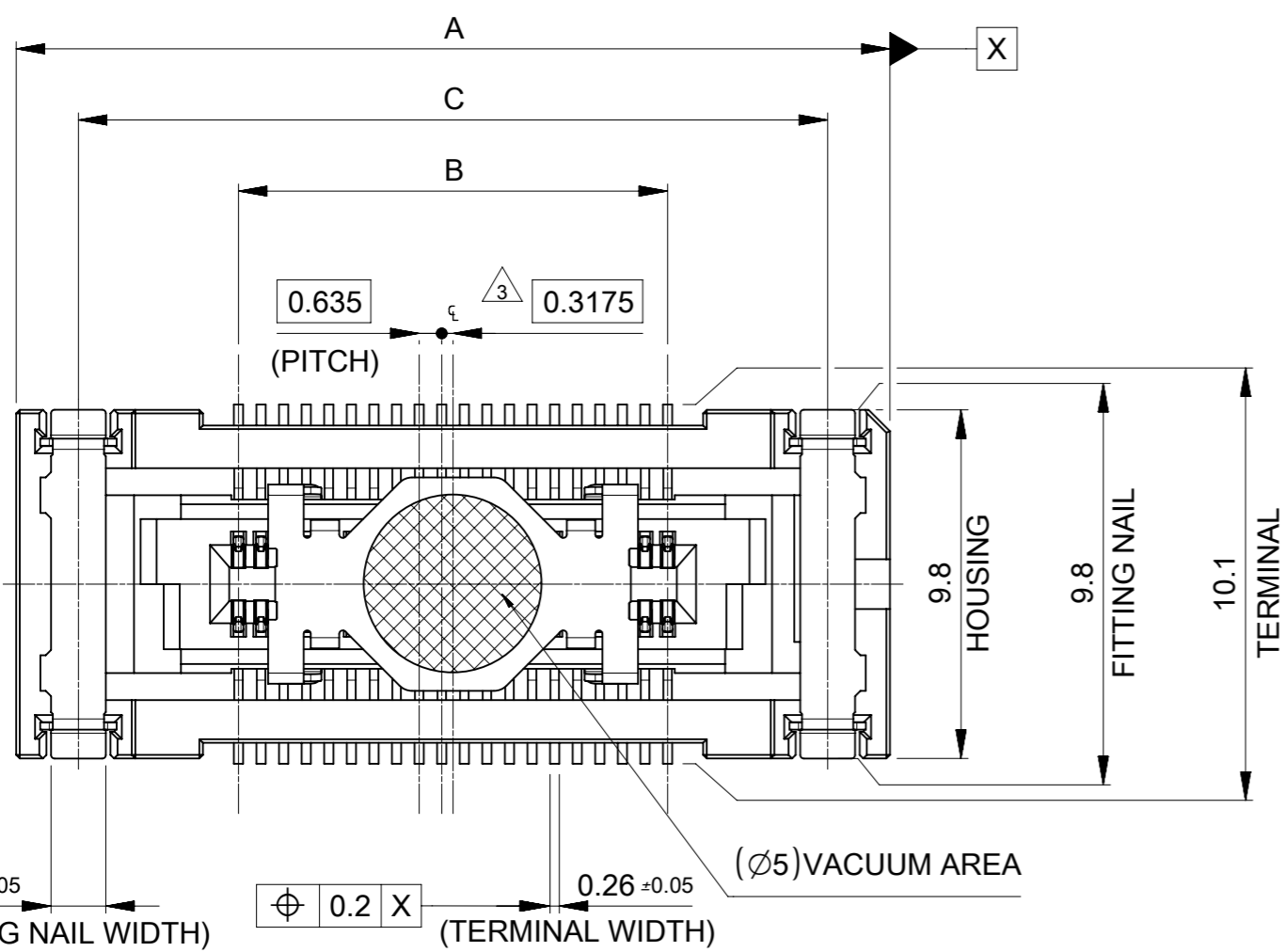
E

D

C

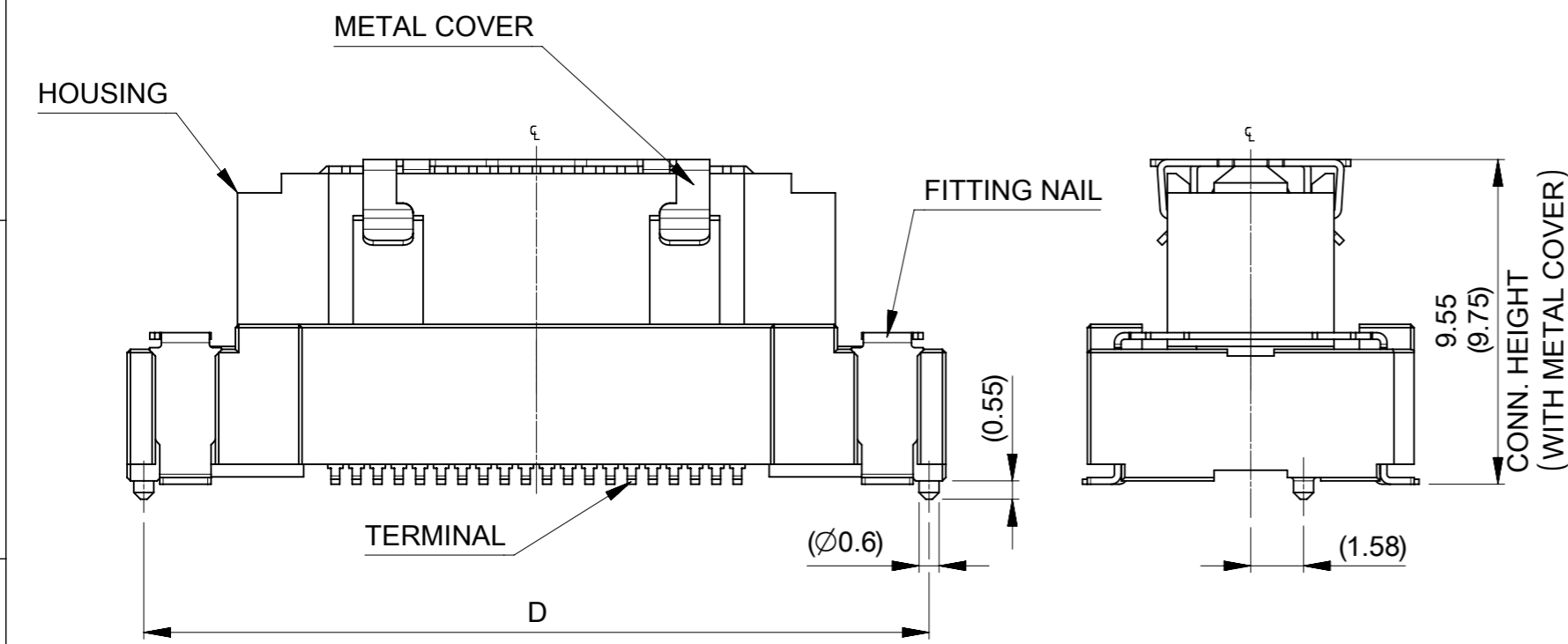
B

A



NOTES

- 1 MATERIAL  
HOUSING: LIQUID CRYSTAL POLYMER UL94V-0 (COLOR :BLACK)  
TERMINAL: COPPER ALLOY  
FITTING NAIL: COPPER ALLOY  
METAL COVER : STAINLESS STEEL
- 2 PLATING  
TERMINAL :  
CONTACT AREA: GOLD PLATING 0.1µm MINIMUM.  
SOLDER TAIL AREA: GOLD PLATING 0.05µm MINIMUM.  
UNDERPLATING: NICKEL PLATING 0.8µm MINIMUM.  
\*DIVIDE INTO PARTS THE GOLD PLATING OF CONTACT AREA AND TAIL AREA BY THE NICKEL PLATING.  
FITTING NAIL:  
SURFACE:TIN PLATING 1.0µm MINIMUM.  
UNDERPLATING: NICKEL PLATING 1.0µm MINIMUM.
- △3 APPLY FOR (CIRCUIT/2)=EVEN.
- 4 MATE WITH : 55091\*\*\*\* / 53625\*\*\*\* / 53647\*\*\*\* / 53649\*\*\*\* / 53627\*\*\*\*
- 5 TAIL AND FITTING NAIL COPLANARITY TO BE 0.1MAXIMUM.
- △6 STACK HEIGHT IS FIXEDLY KEPT BY A SPACER.
- △7 THIS DIMENSION SHOWS THE DIMENSION BETWEEN SOLDERING SURFACE OF SOLDER TAILS.



36.26	33.76	24.765	37.26	2091680801	80
29.91	27.41	18.415	30.91	2091680601	60
23.56	21.06	12.065	24.56	2091680401	40
D	C	B	A	EMBOSSED TAPE PACKAGE	CIRCUIT
				ORDER NO.	
CONNECTOR SERIES NO. : 2091681**1					

THIS DRAWING CONTAINS INFORMATION THAT IS PROPRIETARY TO MOLEX ELECTRONIC TECHNOLOGIES, LLC AND SHOULD NOT BE USED WITHOUT WRITTEN PERMISSION					
DIMENSION UNITS	SCALE	CURRENT REV DESC:			
mm	5:1	<p>0.635 FLOATING B TO B CONN. REC ASSY</p> <p>PRODUCT CUSTOMER DRAWING</p>			
GENERAL TOLERANCES (UNLESS SPECIFIED)					
ANGULAR TOL	± 3.0 °				
4 PLACES	± 0.2				
3 PLACES	± 0.2				
2 PLACES	± 0.2				
1 PLACE	± 0.2	EC NO: 644332		DOCUMENT NUMBER	
0 PLACES	± 0.2	DRWN: SSKIM05 2020/08/18		2091681000-SD	
DRAFT WHERE APPLICABLE MUST REMAIN WITHIN DIMENSIONS		THIRD ANGLE PROJECTION		DRAWING	SHEET NUMBER
		DRAWING		SERIES	CUSTOMER
		A3-SIZE		209168	GENERAL
		MATERIAL NUMBER		SEE TABLE	1 OF 2

9

8

7

6

5

4

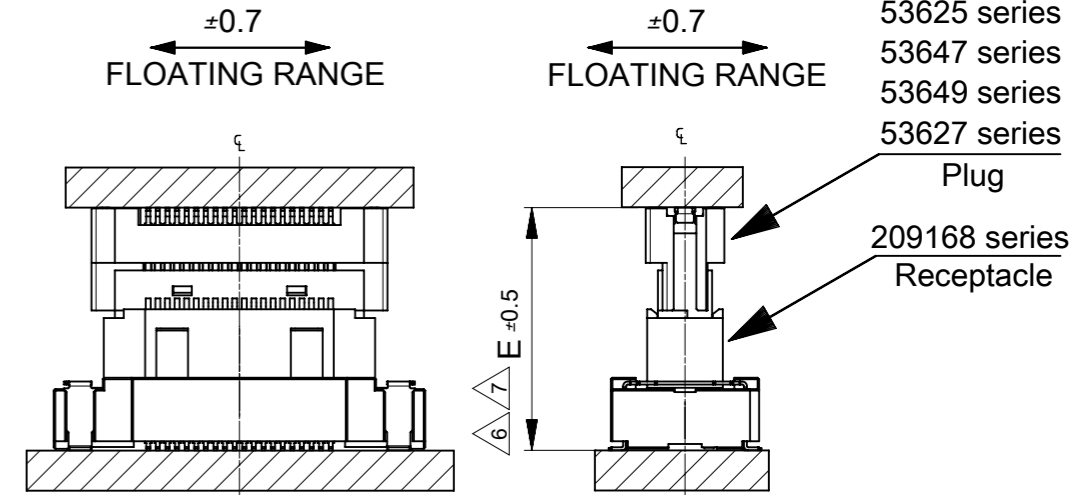
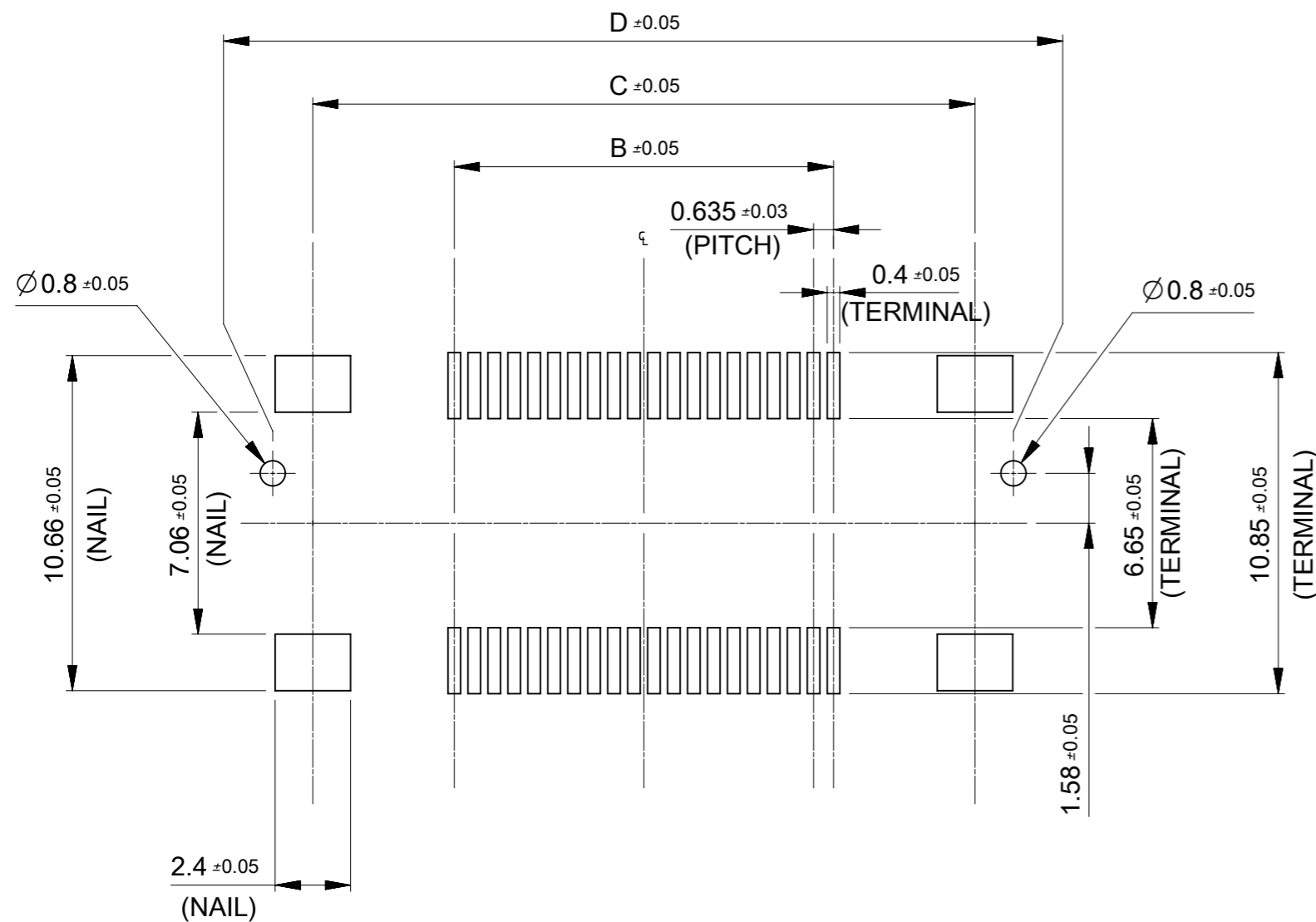
3

2

1

# RECOMMENDED P.W.BOARD PATTERN LAYOUT

RECOMMENDED THICKNESS OF METAL MASK :  $t=0.15\text{mm}$   
 RECOMMENDED OPEN APERTURE RATIO OF METAL MASK : 100%



嵌合高さ一覧 Stacking Height variation		
12	209168 series	55091 series
13		53625 series
14		53647 series
15		53649 series
16		53627 series
嵌合高さ E Stacking Height E	リセプタクル Receptacle	プラグ Plug

THIS DRAWING CONTAINS INFORMATION THAT IS PROPRIETARY TO MOLEX ELECTRONIC TECHNOLOGIES, LLC AND SHOULD NOT BE USED WITHOUT WRITTEN PERMISSION

DIMENSION UNITS <b>mm</b>	SCALE <b>5:1</b>	CURRENT REV DESC.	<b>molex</b>		
GENERAL TOLERANCES (UNLESS SPECIFIED)					
ANGULAR TOL	$\pm 3.0^\circ$	EC NO: 644332	PRODUCT CUSTOMER DRAWING		
4 PLACES	$\pm 0.2$	DRWN: SSKIM05 2020/08/18	DOCUMENT NUMBER	DOC TYPE	DOC PART
3 PLACES	$\pm 0.2$	CHK'D: HSHIMUYAMA 2020/08/31	2091681000-SD	PSD	000
2 PLACES	$\pm 0.2$	APPR: SHOSHIKAWA 2020/09/01			
1 PLACE	$\pm 0.2$	INITIAL REVISION:			
0 PLACES	$\pm 0.2$	DRWN: SSKIM05 2020/04/17	MATERIAL NUMBER	CUSTOMER	SHEET NUMBER
DRAFT WHERE APPLICABLE MUST REMAIN WITHIN DIMENSIONS	THIRD ANGLE PROJECTION	DRAWING	209168	GENERAL	2 OF 2