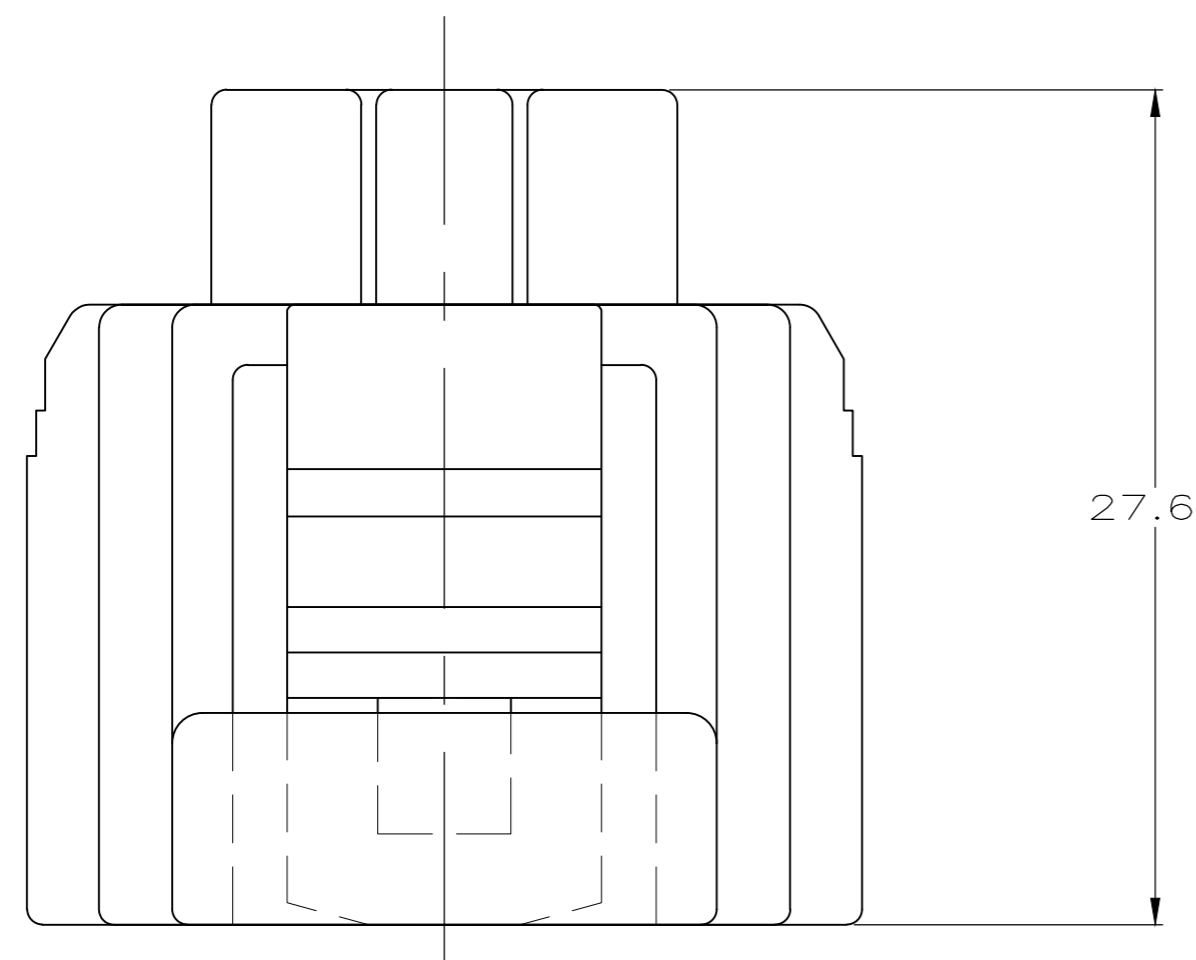
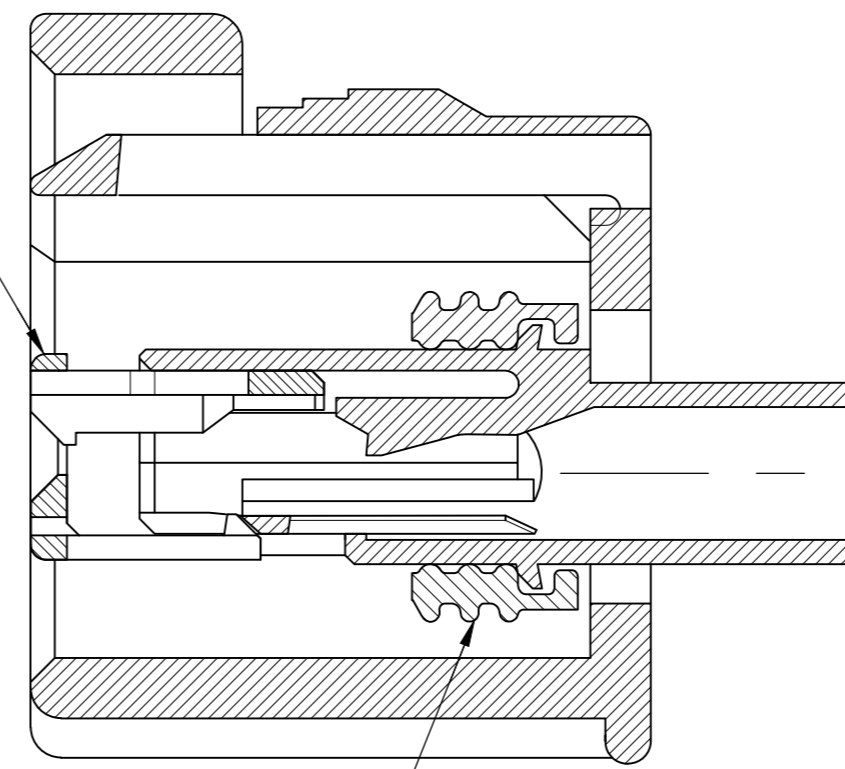


REVISIONS					
P	LTR	DESCRIPTION	DATE	DWN	APVD
D		REVISED PER EC 0K40-0387-04	19NOV2004	DLD	KLK
D1		REVISED PER ECO-20-012742	15SEP20	AP	HDC



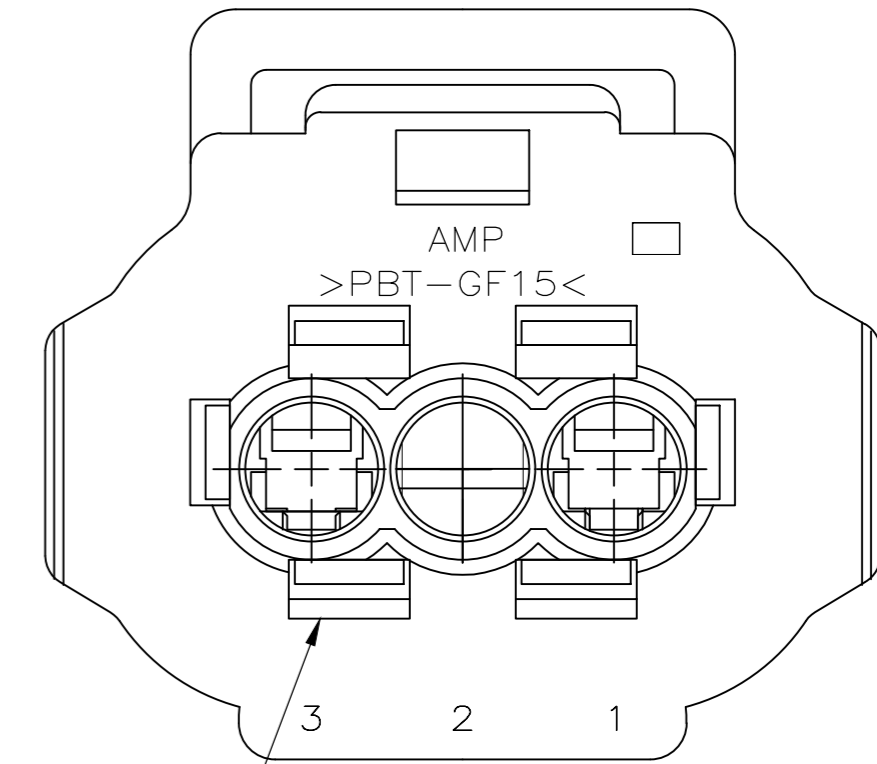
3 POSN DOUBLE LOCK PLATE
MATERIAL: PBT, 15% GLASS FILLED



SEAL RING
MATERIAL: SILICONE RUBBER

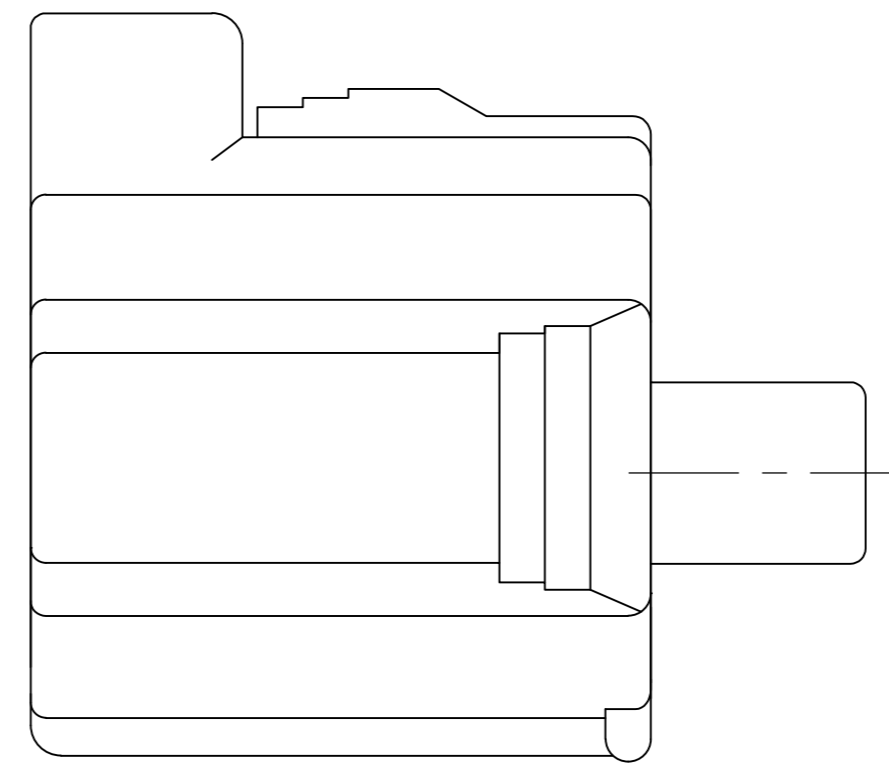
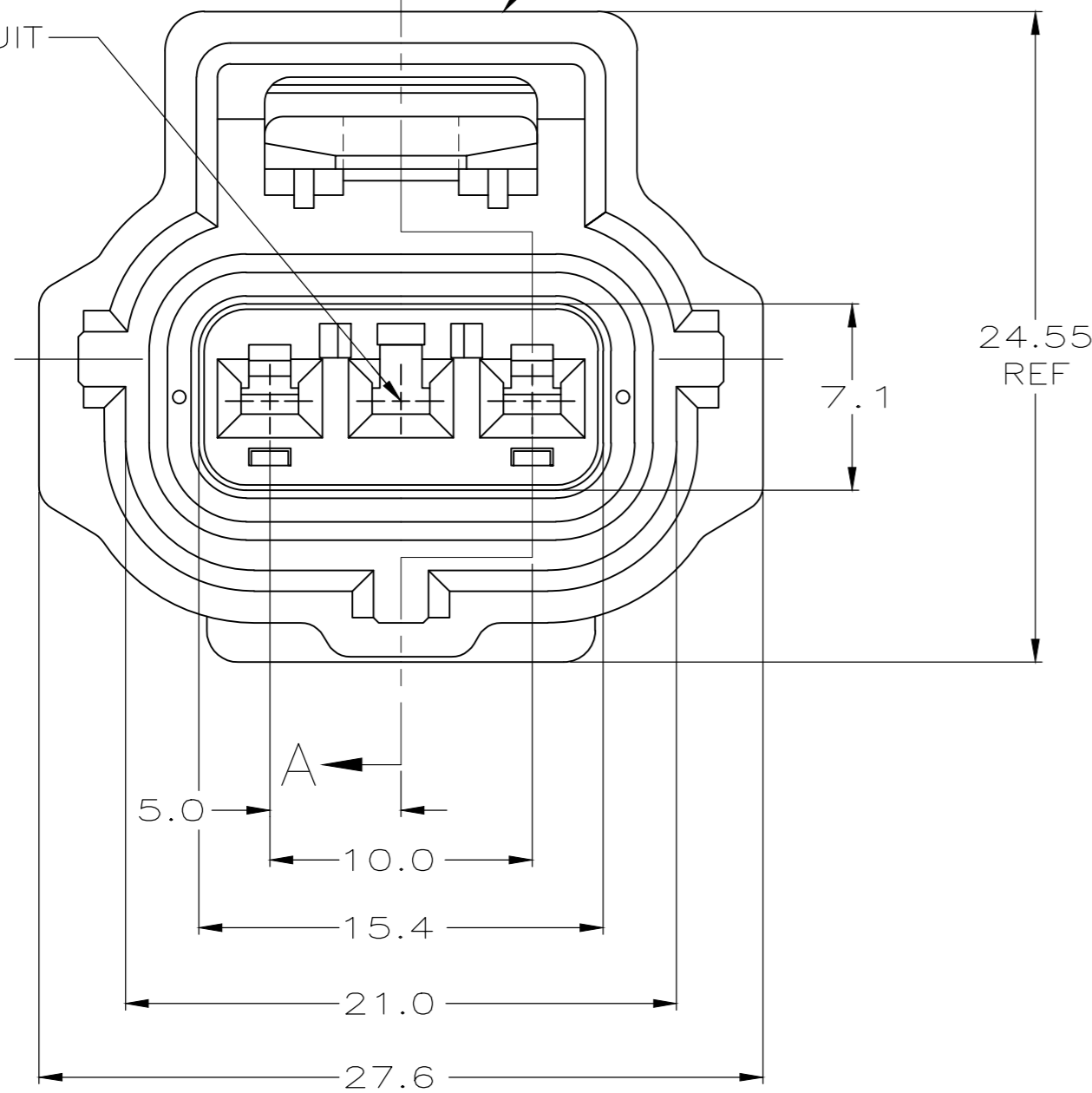
SECTION A-A

OPTIONAL CORING
2 PLACES

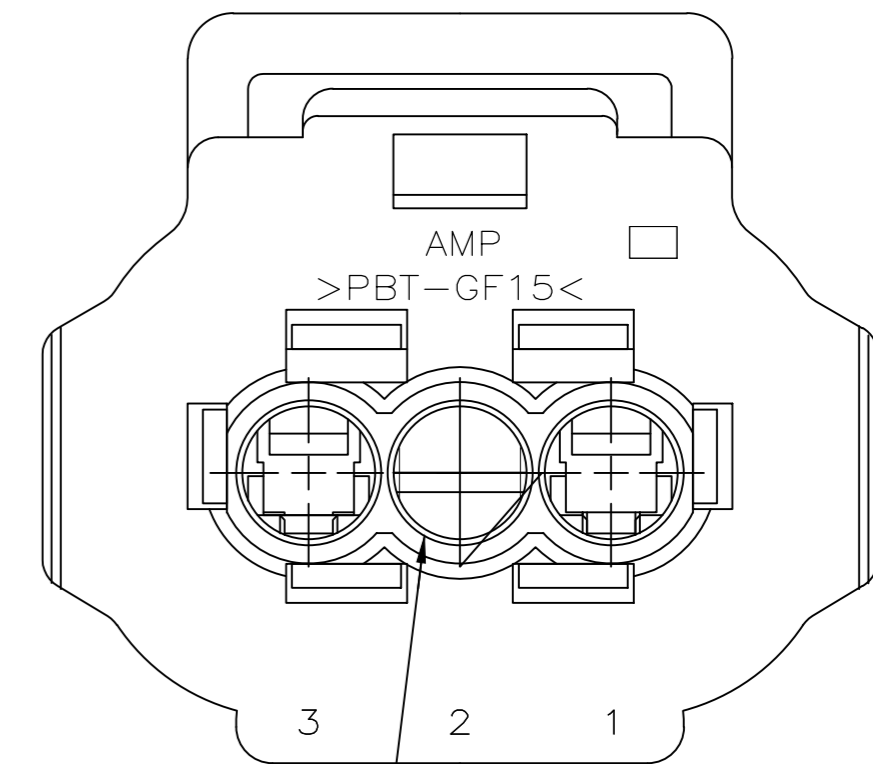


3 POSITION PLUG HOUSING
MATERIAL: PBT, 15% GLASS FILLED

CENTER CIRCUIT
BLOCKED



BLOCKED CIRCUIT



OBSOLETE	GRAY	184292-2
	BLACK	184292-1
HSG COLOR	PART NUMBER	

THIS DRAWING IS A CONTROLLED DOCUMENT.		DWN	KD LYTLE	04/29/97		TE Connectivity		
DIMENSIONS: mm		CHK	JP KUNKLE	05/09/97		NAME		
TOLERANCES UNLESS OTHERWISE SPECIFIED:		APVD	JP KUNKLE	05/09/97		PRODUCT SPEC		
0 PLC ± - 1 PLC ± 0.3 2 PLC ± 0.3 3 PLC ± - 4 PLC ± - ANGLES ± 1°		APPLICATION SPEC		1 X 3B PLUG ASSEMBLY KEY A-C3				
MATERIAL	FINISH	WEIGHT	0.000000	SIZE	A2	CAGE CODE	00779	
		CUSTOMER DRAWING	SCALE	4:1	DRAWING NO	C=184292	RESTRICTED TO	
				SHEET	1 of 1	REV	D1	